

Year of construction 2001

Bouwjaar 2001

Spare parts catalogue

Onderdelencatalogus

Precision chop loaderwagon

Opraapsnijwagen

RAPIDE 100 / 130 / 160

Lely - Australia / New Zealand



Schuitemaker

Contents

Guidelines for ordering spare parts	3
1. <u>P.T.O.</u> Drive schaft with wide-angle yoke and cam-type clutch	5
1.1. Cam-type clutch	5
2. Rotor intake Type-S with drive	7
3. Rotor intake type-SW and V with drive	9
4. Floor chain with drive Rapide 100 and 130	13
5. Floor chain with double drive Rapide 160	15
6. Towbars	17
7. Rotor Gearbox	19
8. Floor driving gearbox	21
9. Pick-up Suspensio with drive (5-Rows) Rapide 100 and 130	23
10. Pick-up Suspension with drive (6-Rows) Rapide 160	25
11. Pick-up (6-Rows) Spring suspension gear Rapide 160	27
12. Double runner wheel Rapide 160	29
13. 5-Rows Pick-up Rapide 100 and 130	31
14. 6-Rows Pick-up	33
15. Chopping device	35
16. Feed roller.	37
17. Hydraulic parking support	39
18. Tandem frame TAP-BPW Rapide 100	41
19. Tandem frame Rapide 130 and 160	43
20. Gigant Spring assemblies	45
21. Track following wheel axle Rapide 130 and 160	47
22. Wheel axles ADR Rapide 130 (Type 898 Brake 400x80)	49
23. Wheel axles Colaert ((Typ EUR 1110-412S) Brake 406x120) RAPIDE 160	51
24 Tandem BPW TAL (Rapide 130)	53
25. Tandem ADR-TAL (Rapide 160)	55
26. Shaft end ADR (Typ EUR1110 Brake 400x80) Rapide 160	57
27. Front board Rapide 100	59
28. Front board Rapide 130 and 160	61
29. Tailgate	63

30. Distribution beaters Rapide 100-SW	65
31. Distribution beaters Rapide 100-V; 130-SW(V) and 160-SW(V)	67
32. Beater drive with chain tensioner	69
33. Beater protective device	71
34. Tailgate with Cross conveyor	73
35. Cross conveyor	75
36. Hydraulic/Elektrical operation	77
37. Steel construction as windcover Rapide 100	79
38. Extra Slide guide + cords for wind cover construction Rapide 100	81
39. Steel construction + cords as wind cover Rapide 130 and 160	83
40. Gear box Type-S	84
41. Gear box Type SW and V	85
42. Hydraulic system Rapide 100S/SW-LS	86
43. Hydraulic system Rapide 100V-LS	87
44. Hydraulic system Rapide 130S/SW-LS	88
45. Hydraulic system Rapide 130SWV-LS	89
46. Hydraulic system Rapide 160S/SW-LS	90
47. Hydraulic system Rapide 160SWV-LS	91
48. Electrical circuit diagram Rapide S	92
49. Electrical circuit diagram Rapide SW and V	93

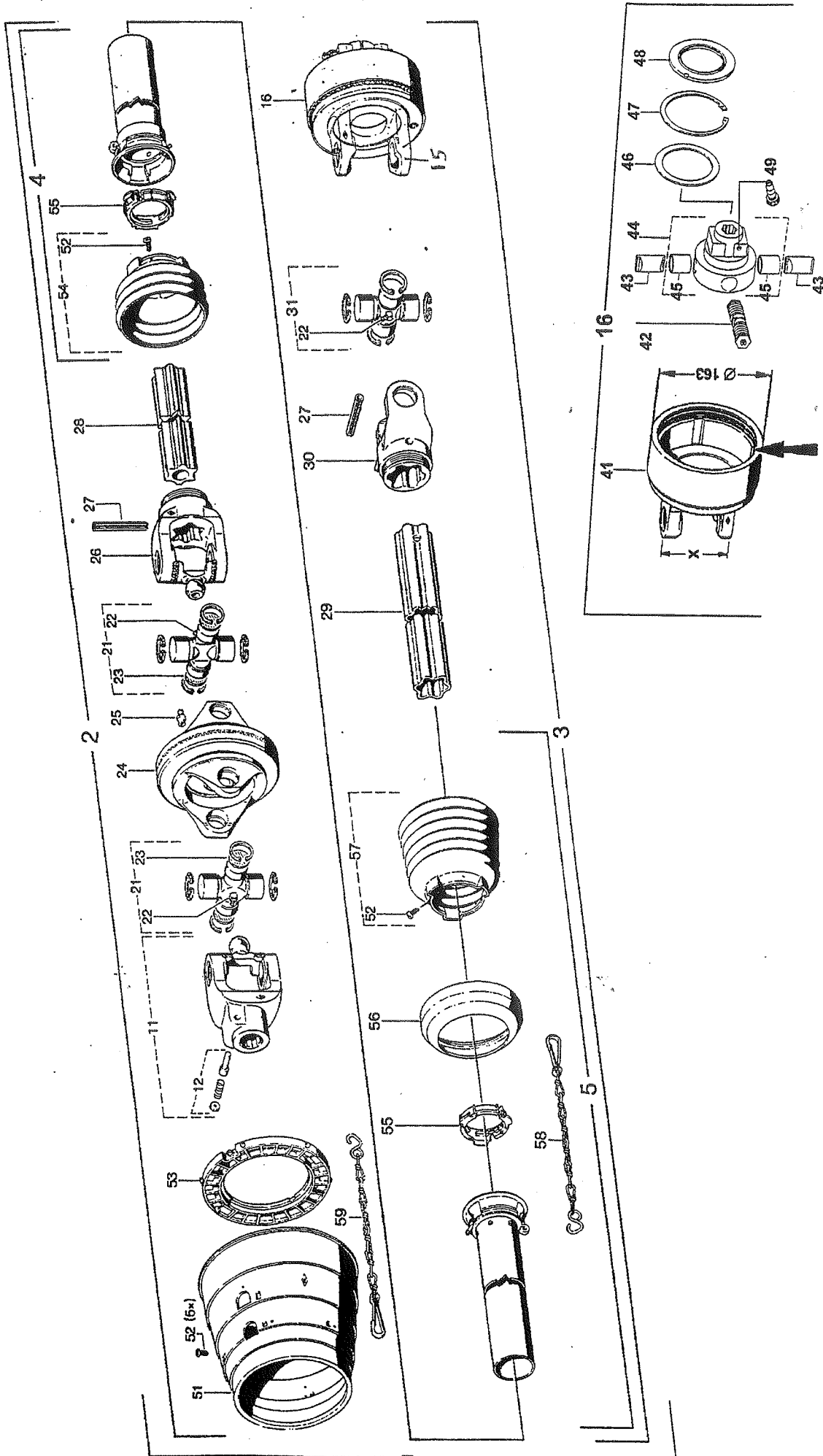
GUIDELINES FOR ORDERING SPARE PARTS

If you follow the rules stated below when ordering spare parts, you will be assured of a fast and correct delivery.

1. State the model, year of construction and serial number of your Rapide
2. State both the full number of the part (if known) and the description.
3. State how the part needs to be despatched.
4. When ordering wheel axle parts, it is also advisable to state the wheel axle type. This can be found on the type plate of the wheel axle.

The numbers of the parts of the SCHUITEMAKER-wagons can be found in the first column below the heading *SR-no.* These can be ordered from:

SCHUITEMAKER Machines B.V. Rijssen – The Netherlands
Postbus 219 - 7460 AE Rijssen – The Netherlands
Tel: 0031 - 548 - 514125
Fax: 0031 - 548 - 516840
Spare Parts Dept.
Ext. 41



1. P.T.O. DRIVE SCHAFT WITH WIDE-ANGLE YOKE AND CAM-TYPE CLUTCH

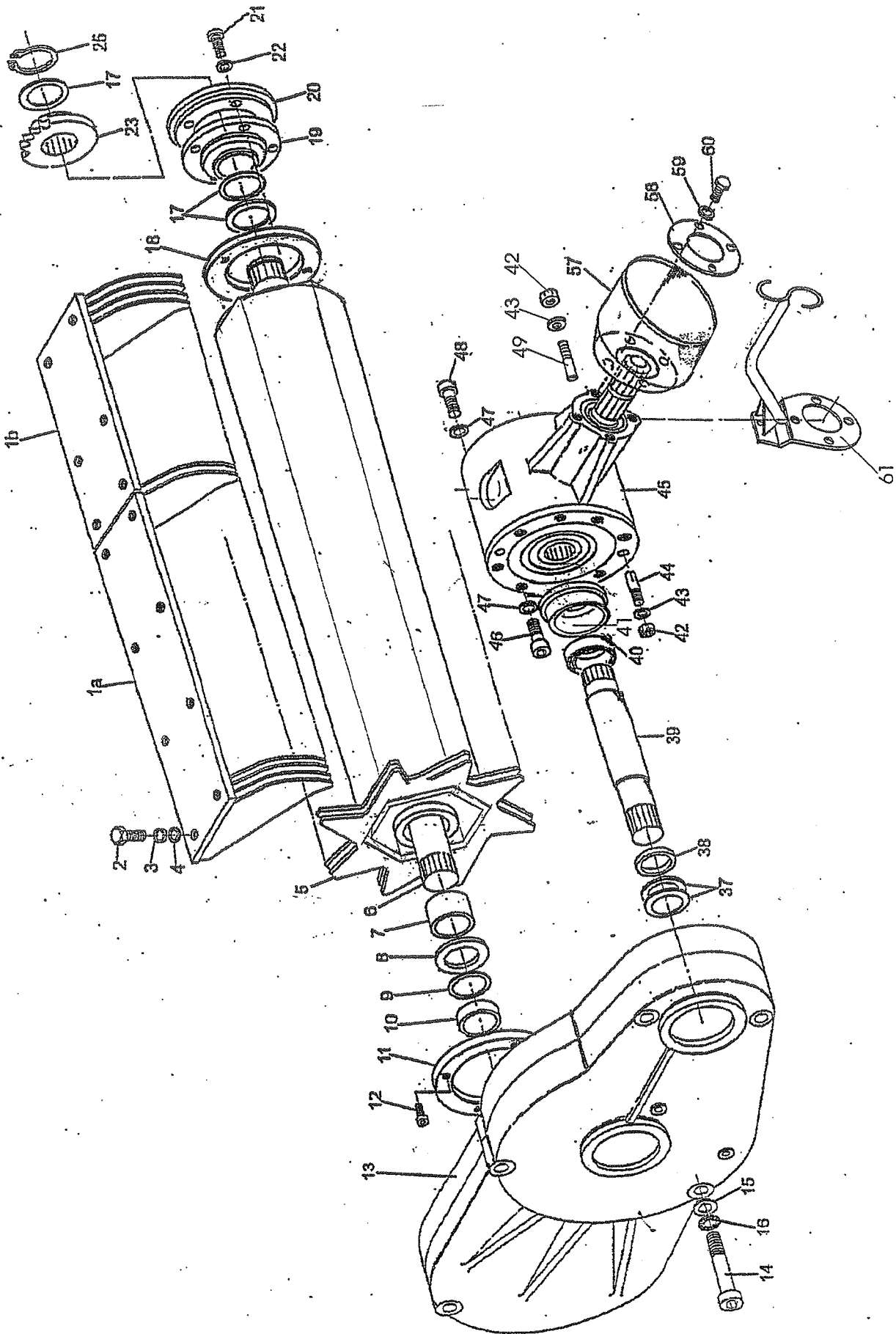
ENKELZIJDIGE GROOTHOEK-KOPPELINGSAS MET NOKKENKOPPELING

<i>Fig.</i>	<i>SR-no.</i>	<i>Omschrijving</i>	<i>Description</i>
1	354.0172	Koppelingsas WWE 2480 1600 Nm cpl.	P.T.O. shaft WWE 2480 1600 Nm cpl.
4	455.0020	Buitenbeschermbuis met kap	Outside protection tube with cover
	455.0153	Buitenbeschermbuis cpl. met kap	Outside protection tube cpl. with cover
5	455.0021	Binnenbeschermbuis	Inner protection tube
	455.0152	Binnenbeschermbuis cpl. met kap	Inner protection tube cpl. with cover
11	455.0048	Groothoek-opsteekgaffel	Wide-angle set-up yoke
12	455.0046	Drukstift set (Agra 101)	Locking pin set (Agra 101)
15	455.0054	Flensgaffel	Flange yoke
16	455.0112	Nokkenschakelkoppeling 1600 Nm	Cam-type clutch 1600 Nm
21	455.0056	Groothoek-kruisstuk (incl. 7; 8)	Wide-angle cross-piece (incl 7; 8)
22	342.0105	Smeernippel M8x1	Grease nipple M8x1
24	455.004 ^o	Dubbel-gaffel	Double yoke
25	342.0105	Smeernippel M8x1	Grease nipple M8x126
26	455.0091	Profielgaffel	Profiled yoke
27	312.0130	Spanstift 10x80-1481	Clamping pin 10x80-1481
28	455.0093	Sterbuis S4GA (binnen)	Profiled tube S4GA (inside)
29	455.0094	Sterbuis S5 (buiten)	Profiled tube S5 (outside)
30	455.0092	Profielgaffel	Profiled yoke
31	455.0055	Kruisstuk cpl.	Cross-piece cpl.
51	455.0161	Beschermtrichter	Protective cover
53	455.0162	Glijring	Sliding ring
54	455.0154	Beschermkap met schroef (incl.15)	Protective cover with screw (incl.15)
55	455.0155	Glijring	Sliding ring
56	455.0088	Steunring	Supporting ring
57	455.0154	Beschermtrichter	Safety cover
59	450.0035	Borgketting	Locking chain

1.1. CAM-TYPE CLUTCH

NOKKENKOPPELING

<i>Fig.</i>	<i>SR-no.</i>	<i>Omschrijving</i>	<i>Description</i>
16	455.0112	Nokkenschakelkoppeling 1600 Nm	Cam-type clutch 1600 Nm
41	455.0067	Koppelingshuis	Clutch housing
42	455.0078	Schakelnok 1600 Nm	Switch cam 1600 Nm
43	455.0065	Blokkeernok	Locking cam
44	455.0063	Naaf	Hub
45	455.0064	Glijbus	Sliding sleeve
46	455.0061	Dichtring	Sealing ring
47	313.0214	Borgring I-150	Locking ring I-150
48	455.0062	Steunring	Supporting ring
49	455.0096	Klemkonus	Clamping cone

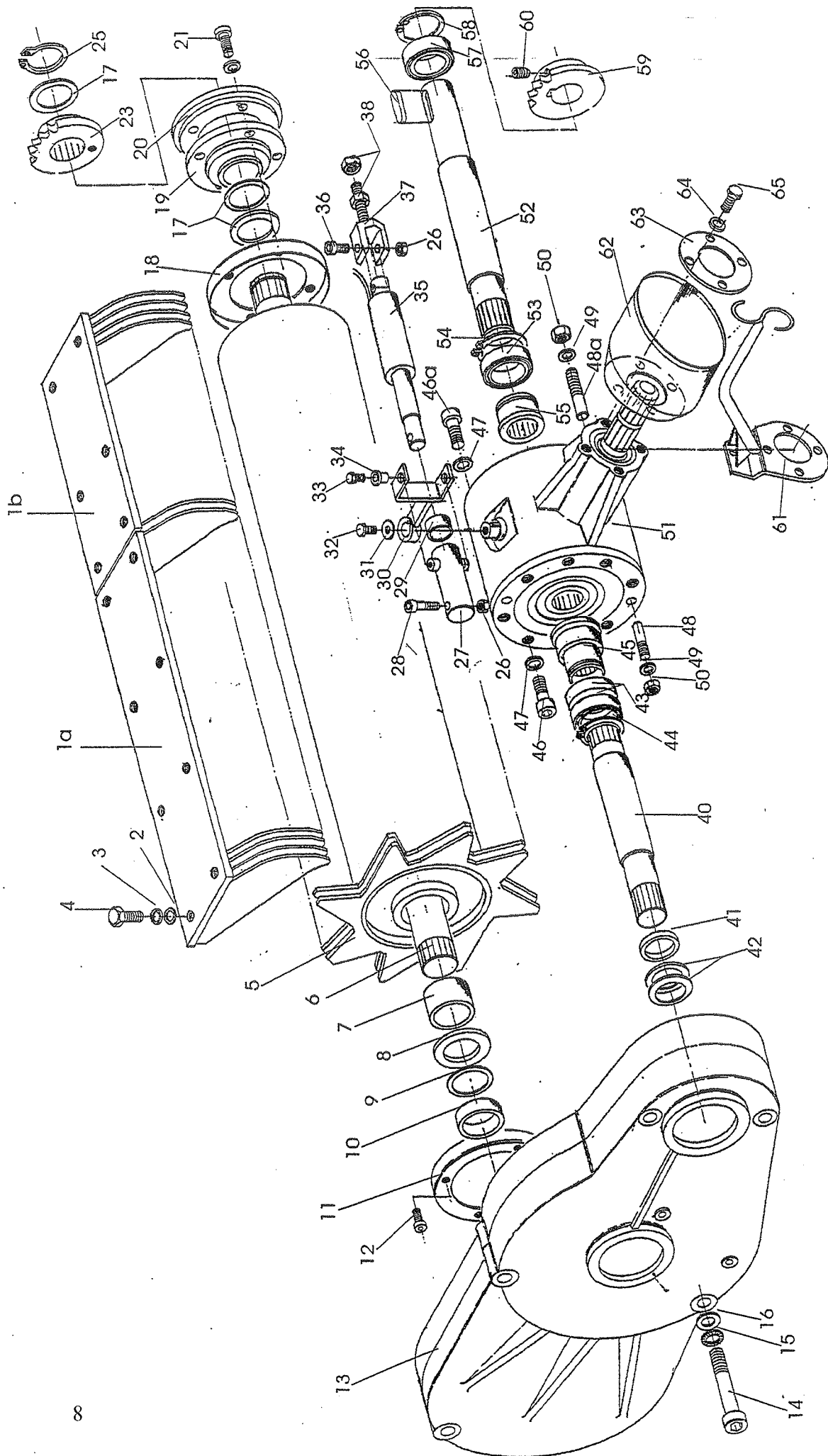


2. ROTOR INTAKE TYPE-S WITH DRIVE

ROTORINVOER MET AANDRIJVING

Drawing no. : 975.0035

Fig.	SR-no.	Omschrijving	Description
1a	961.0542	Afstrijkerlijst lang	Stripper frame long
1b	961.0543	Afstrijkerlijst kort	Stripper frame short
	934.0383	Afstrijker	Stripper
2	301.0803	Bout M12×20	Bolt M12×20
3	316.0902	Tandveerring J12	Toothed spring ring J12
4	316.0702	Sluitring A13	Washer A13
5	961.0930	Rotor 8T/6K-A72×66	Rotor 8T/6K-A72×66
6	921.0273	Rotoras B72×66	Rotor shaft B72×66
7	402.0211	Glijlager N72100	Slide bearing N72100
8	403.0135	Loopschijf LS-75100	Counting disc LS-75100
9	349.0089	Vulschijf PS-75×95×1	Filler disc PS-75×95×1
	349.0090	Vulschijf PS-75×95×2	Filler disc PS-75×95×2
10	926.0336	Afstandbus 7228	Spacing sleeve 7228
11	937.0016	Afdichtschijf 60/M8	Sealing disc 60/M8
12	302.0607	Cilinderkopbout M8×20	Cylinder head bolt M8×20
13	351.0074	Rotortandwielkast A72×66 (zie blz. 19)	Rotor gearbox A72×66 (page 19)
14	302.0637	Cilinderkopbout M16×160	Cylinder head bolt M16×160
	302.0639	Cilinderkopbout M16×200	Cylinder head bolt M16×200
15	316.0707	Sluitring A17	Washer A17
16	316.0919	Tandveerring J16,5	Toothed spring ring J16,5
17	349.0044	Vulschijf 60×75×1	Filler disc 60×75×1
	349.0047	Vulschijf 60×75×2	Filler disc 60×75×2
18	937.0017	Afdichtschijf 60/M16	Sealing disc 60/M16
19	900.0132	Kogellager RME 60/192	Ball bearing RME 60/192
20	936.0809	Eindflens 60/8	End flange 60/8
21a	301.0735	Pl. Verz. Bout M16×60	Countersunk bolt M16×60, flat
23	953.0673	Kettingwiel ¾"-26 (Rap.100; 130)	Chain wheel ¾"-26 (Rap.100; 130)
	900.0211	Breekbout M12×62	Shearing bolt M12×62
23a	953.0672	Kettingwiel 1"-21 (Rap.160)	Chain wheel 1"-21 (Rap.160)
	900.0311	Breekbout M12×55	Shearing bolt M12×55
25	313.0121	Borgring A-60	Locking ring A-60
37	456.0064	Schotelring	Belleville washer
38	456.0063	Steunring	Ring
39	456.0060	Drijfas B50x45	Rotor drive shaft B50x45
40	401.0208	Kogellager 6209-2RS	Ball bearing 6209-2RS
41	456.0097	Lagerbus	Bearing bushe
42	306.0704	Moer M12	Nut M12
43	316.0702	Sluitring A13	Washer A13
44	456.0098	Paspen 12M6x57	Dowel 12M6x57
45	351.0066	Tandwielkast WG-13>28 (zie blz.84)	Gear box WG-13>28 (page 84)
46	302.0640	Cilinderkopbout M16x50	Cylinder head bolt M16x50
47	316.0919	Veerring 16mm	Spring ring 16mm
48	302.0623	Cilinderkopbout M16x40	Cylinder head bolt M16x40
49	456.0018	Paspen 12M6x47	Dowel 12M6x47
57	900.0116	Beschermtrichter	Protective cover
58	934.0136	Versterkingsring	Reinforcing ring
59	316.0906	Veerring 12mm	Spring ring 10mm
60	301.0805	Bout M10x25	Bolt M10x25
61	968.0344	Slanghouder	Hose reels

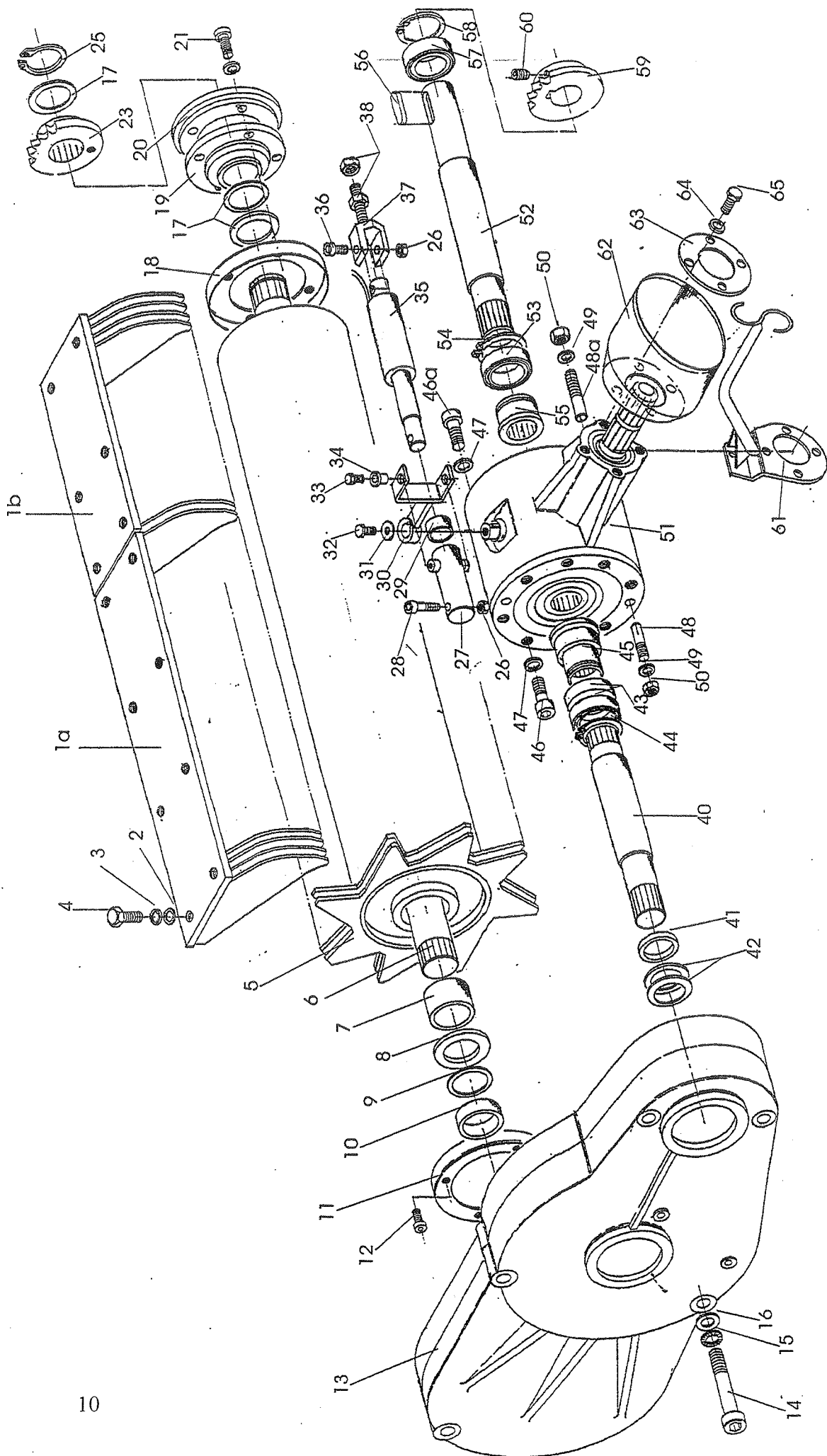


3. ROTOR INTAKE TYPE-SW AND V WITH DRIVE

ROTORINVOER MET AANDRIJVING

Drawing no. : 975.0025

<i>Fig.</i>	<i>SR-no.</i>	<i>Omschrijving</i>	<i>Description</i>
1a	961.0542	Afstrijkerlijst lang	Stripper frame long
1b	961.0543	Afstrijkerlijst kort	Stripper frame short
	934.0383	Afstrijker	Stripper
2	301.0803	Bout M12×20	Bolt M12×20
3	316.0902	Tandveerring J12	Toothed spring ring J12
4	316.0702	Sluitring A13	Washer A13
5	961.0930	Rotor 8T/6K-A72×66	Rotor 8T/6K-A72×66
6	921.0273	Rotoras B72×66	Rotor shaft B72×66
7	402.0211	Glijlager N72100	Slide bearing N72100
8	403.0135	Loopschijf LS-75100	Counting disc LS-75100
9	349.0089	Vulschijf PS-75×95×1	Filler disc PS-75×95×1
	349.0090	Vulschijf PS-75×95×2	Filler disc PS-75×95×2
10	926.0336	Afstandbus 7228	Spacing sleeve 7228
11	937.0016	Afdichtschijf 60/M8	Sealing disc 60/M8
12	302.0607	Cilinderkopbout M8×20	Cylinder head bolt M8×20
13	351.0074	Rotortandwielkast A72×66 (zie blz. 19)	Rotor gearbox A72×66 (page 19)
14	302.0637	Cilinderkopbout M16×160	Cylinder head bolt M16×160
	302.0639	Cilinderkopbout M16×200	Cylinder head bolt M16×200
15	316.0707	Sluitring A17	Washer A17
16	316.0919	Tandveerring J16,5	Toothed spring ring J16,5
17	349.0044	Vulschijf 60×75×1	Filler disc 60×75×1
	349.0047	Vulschijf 60×75×2	Filler disc 60×75×2
18	937.0017	Afdichtschijf 60/M16	Sealing disc 60/M16
19	900.0132	Kogellager RME 60/192	Ball bearing RME 60/192
20	936.0809	Eindflens 60/8	End flange 60/8
21a	301.0735	Pl. Verz. Bout M16×60	Countersunk bolt M16×60, flat
23	953.0673	Kettingwiel ¾"-26 (Rap.100; 130)	Chain wheel ¾"-26 (Rap.100; 130)
	900.0211	Breekbout M12×62	Shearing bolt M12×62
23a	953.0672	Kettingwiel 1"-21 (Rap.160)	Chain wheel 1"-21 (Rap.160)
	900.0311	Breekbout M12×55	Shearing bolt M12×55
25	313.0121	Borgring A-60	Locking ring A-60
26	306.0306	Borgmoer M10	Locking nut M10
27	961.0998	Schakelhus	Gear bushe
28	302.0612	Cilinderkopbout M10x50	Cylinder head bolt M10x50
29	402.0212	Glijlager 3120	Slide bearing 3120
30	961.0997	Schakelhefboom	Gear lever
31	316.0713	Sluitring R9	Washer R9
32	301.0806	Bout M8x20	Bolt M8x20
33	301.0820	Bout M6x16	Bolt M6x16
34	402.0163	Glijlager 6/10x10	Slide bearing 6/10x10
35	484.0148	Linak actuator S100-12V	Linak actuator S100-12V
36	302.0602	Cilinderkopbout M10x45	Cylinder head bolt M10x45
37	921.0328	Stelgaffel M12	Adjusting fork M12
38	306.0302	Borgmoer M12	Locking nut M12

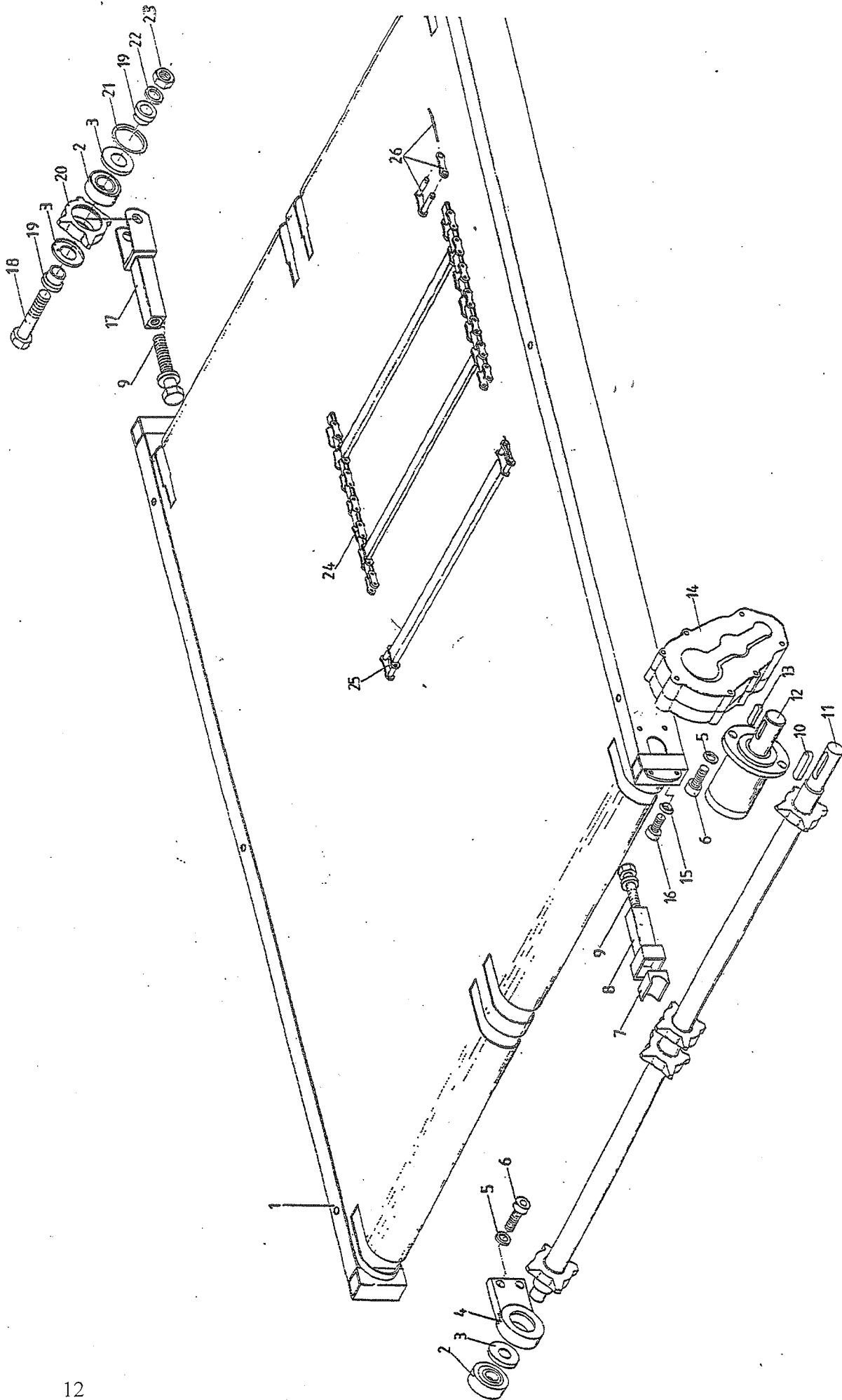


CONTIUAATION ROTOR INTAKE TYPE-SW WITH GEAR

VERVOLG ROTORINVOER MET AANDRIJVING

Drawing no. : 975.0025

<i>Fig.</i>	<i>SR-no.</i>	<i>Omschrijving</i>	<i>Description</i>
40	456.0059	Rotordrijfvas B50x45	Rotor drive shaft B50x45
41	456.0063	Steuning	Buche
42	456.0064	Schotelring	Belleville washer
43	401.0231	Kogellager 6012-2RS	Ball bearing 6012-2RS
44	313.0121	Borgring A-60	Safety ring A-60
45	456.0099	Schakelbus	Gear bush
46	302.0640	Cilinderkopbout M16x50	Cylinder head bolt M16x50
46a	302.0623	Cilinderkopbout M16x40	Cylinder head bolt M16x40
47	316.0919	Veerring 16 mm	Spring washer 16 mm
48	456.0098	Paspen 12M6x57	Dowel 12M6x57
48a	456.0018	Paspen 12M6x47	Dowel 12M6x47
49	316.0702	Sluitring A13	Washer A13
50	306.0704	Moer M12	Nut M12
51	351.0076	Schakeltandwielkast SG-13/28 (zie blz.85)	Gear box SG-13/28 (See page 85)
52	456.0061	Verdeler-drijfvas	Beater drive shaft
53	401.0275	Kogellager 6011-2RS	Ball bearing 6011-2RS
54	313.0124	Borgring A-55	Safety ring A-55
55	456.0100	Splinesbus	Bush with splines
56	315.0123	Spie 12x8x45	Key 12x8x45
57	401.0209	Kogellager 6308-2RS	Ball bearing 6308-2RS
58	313.0212	Borgring I-90	Safety ring I-90
59	353.0407	Kettingwiel 1"-17/40	Chain sprocket 1"-17/40
60	304.0114	Stelschroef M10x20	Set screw M10x20
61	968.0344	Slanghouder	Hose reels
62	900.0116	Beschermtrichter	Protective cover
63	934.0136	Versterkingsring	Reinforcing ring
64	316.0906	Veerring 10mm	Spring ring 10mm
65	301.0805	Bout M10x25	Bolt M10x25

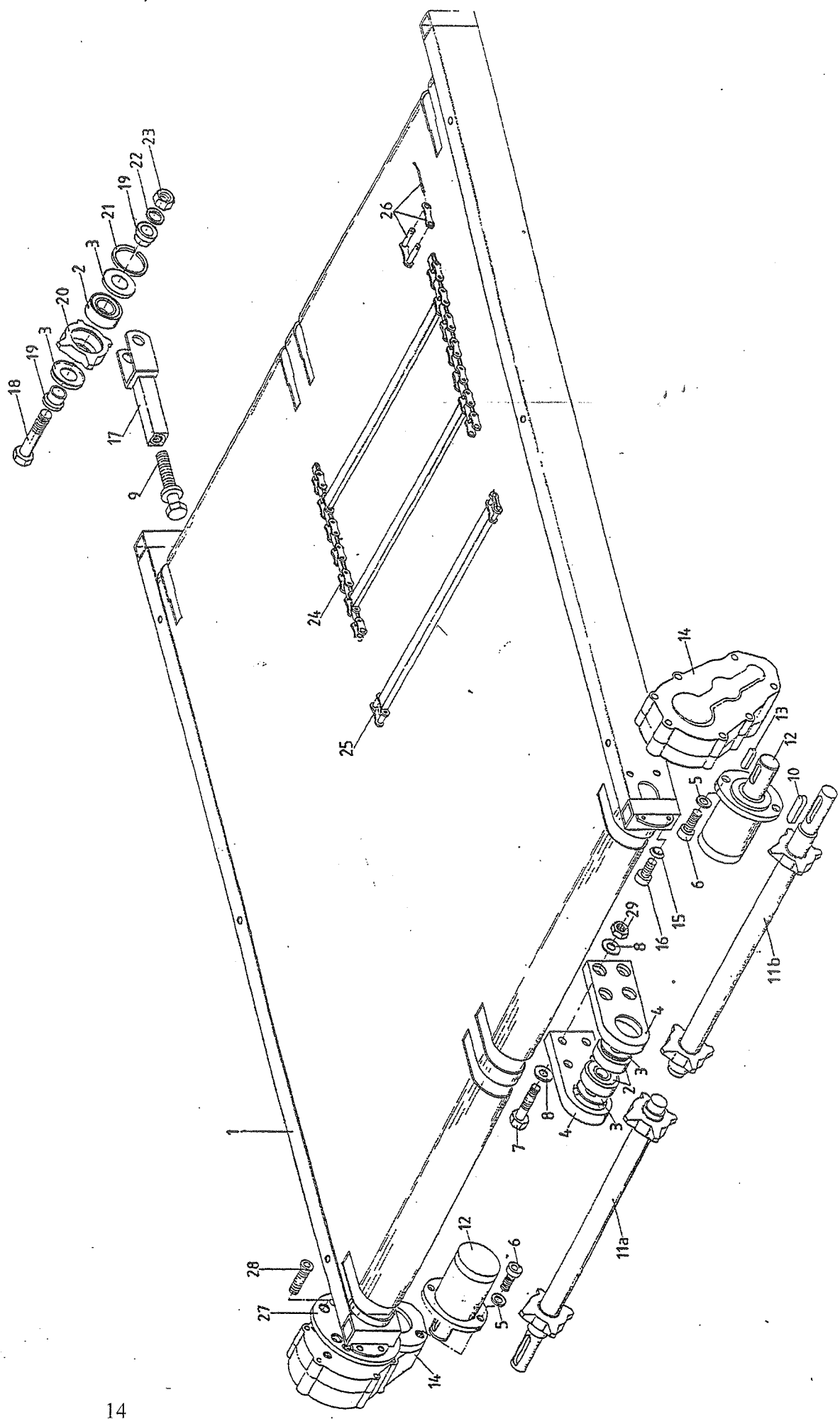


4. FLOOR CHAIN WITH DRIVE RAPIDE 100 AND 130

BODEMKETTING MET AANDRIJVING RAPIDE 100 EN 130

Drawing no.: 975.0019

<i>Fig.</i>	<i>SR-no.</i>	<i>Omschrijving</i>	<i>Description</i>
2	401.0107	Kogellager 6306-2RS	Ball bearing 6306-2RS
3	361.0119	Nilosring 6306-AV	Nilos ring 6306-AV
4	941.0042	Glandlagerhuis	Gland bearing housing
5	316.0904	Veerring 12 mm	Spring ring 12 mm
6	302.0615	Cilinderkopbout M12×35	Cylinder head bolt M12×35
7	402.0154	Steunlagerblok 45	Suspension bearing block 45
	402.0165	Steunlagerblok 50	Suspension bearing block 50
8	966.0001	Steunlagerhuis	Suspension bearing housing
9	303.0958	Spanbout M16	Tensioning bolt M16
10	315.0121	Spie 14×9×80	Feather key 14×9×80
11	968.0361	Transportkettingas	Transport chain pinion axle
12	355.0510	Hydromotor OMP-125 (S en SW)	Hydro Motor OMP-125 (S and SW)
		Hydromotor OMP-100 (SWV)	Hydro Motor OMP-100 (SWV)
13	315.0103	Spie 8×7×30	Feather key 8×7×30
14	351.0024	Zijkast Ø45 (zie blz. 21)	Side box Ø45 (page 21)
15	316.0917	Bolle veerring C12,5	Spring ring C12,5
16	302.0630	Cilinderkopbout M12×25	Cylinder head bolt M12×25
17	967.0581	Kettingspanner	Chain tensioner
18	301.0745	Bout M16×70	Bolt M16×70
19	925.0481	Klembus	Clamping bush
20	942.0029	Kettingspanwiel	Chain sprocket
21	313.0401	Seegersprengring SB72	Seeger circlip-SB72
22	316.0901	Veerring 16 mm	Spring ring 16 mm
23	306.0702	Moer M16	Nut M16
24	967.0032	Bodemketting (Rapide 100)	Floor chain (Rapide 100)
	960.0635	Bodemketting (Rapide 130)	Floor chain (Rapide 130)
25	966.0069	Kettingstaaf 22/2	Chain rod 22/2
26	431.0122	Verbindingsschalm	Joining link

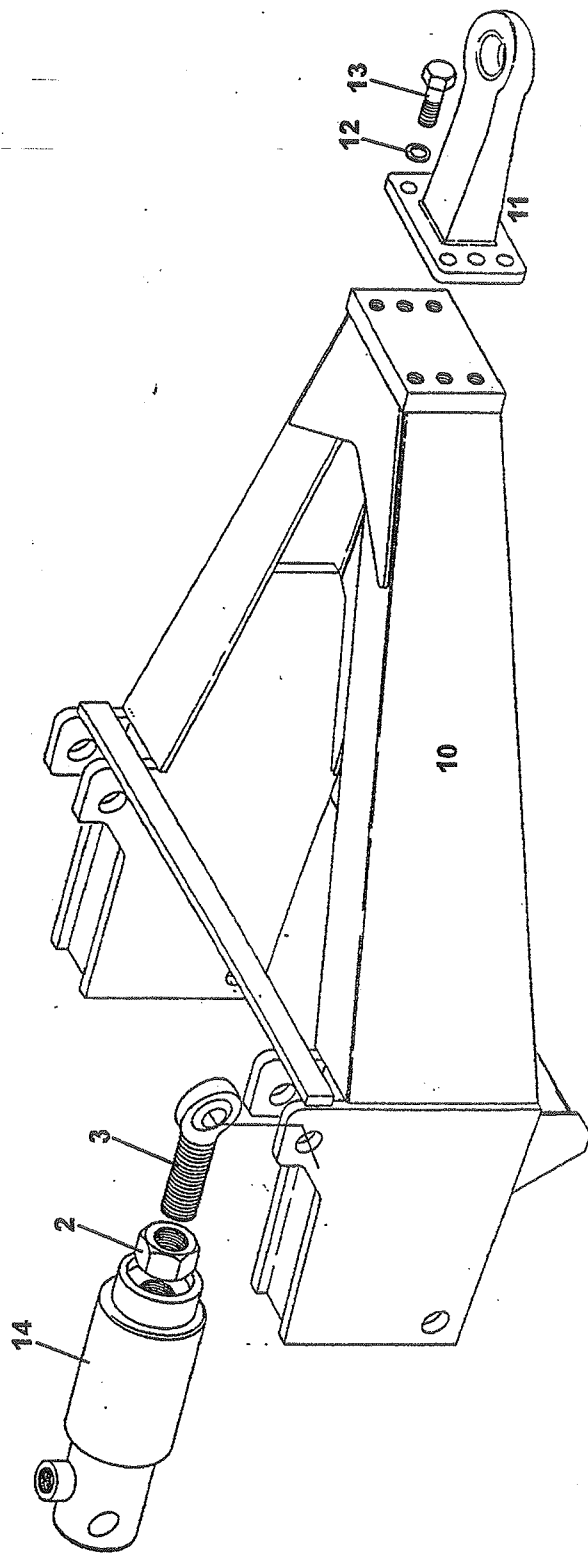
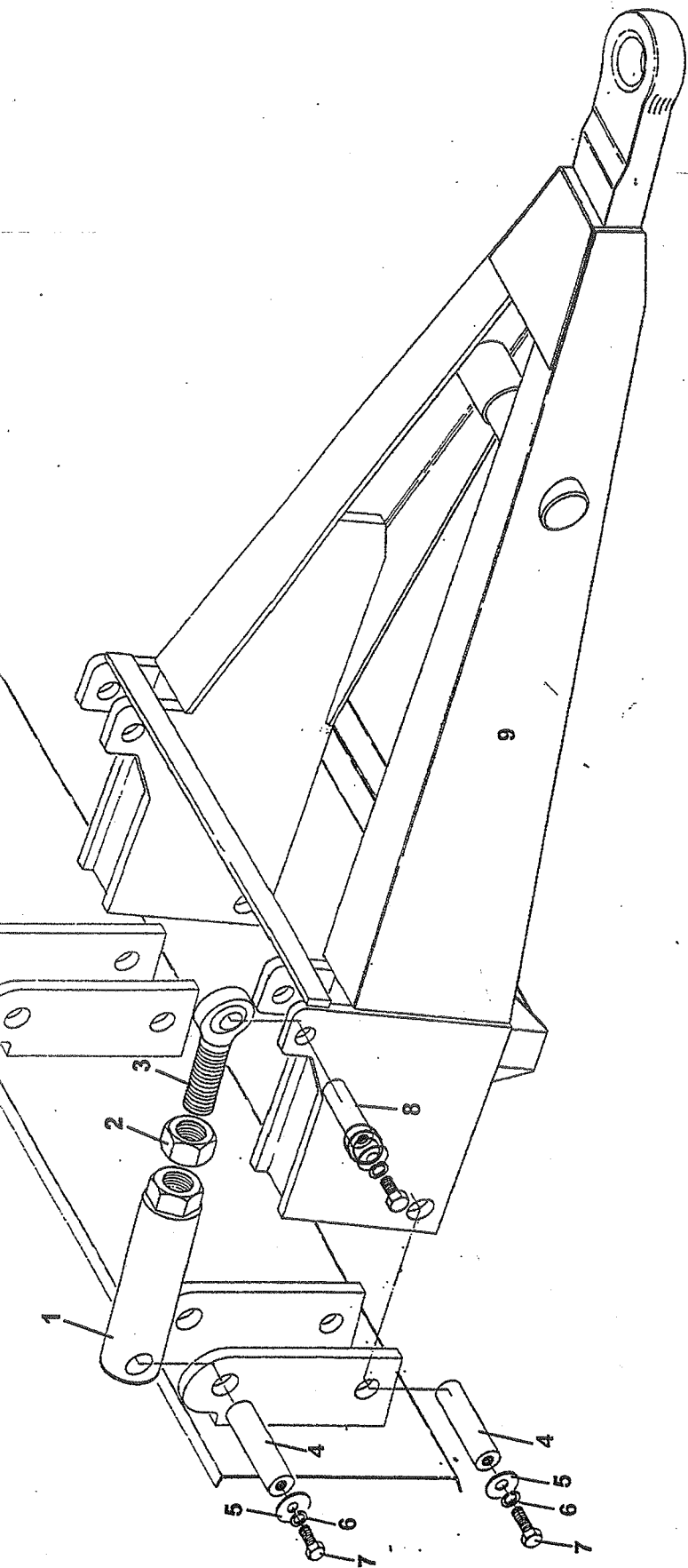


5. FLOOR CHAIN WITH DOUBLE DRIVE RAPIDE 160

BODEMKETTING MET DUBBELE AANDRIJVING RAPIDE 160

Drawing no. : 975.0020

Fig.	SR-no.	Omschrijving	Description
2	401.0107	Kogelager 6306-2RS	Ball bearing 6306-2RS
3	361.0119	Nilosring 6306 - AV	Nilos ring 6306-AV
4	377.0303	Lagerplaat	Bearing plate
5	316.0904	Veerring 12 mm	Spring ring 12 mm
6	302.0615	Cilinderkopbout M12×35	Cylinder head bolt M12×35
7	301.0735	Bout M12×55	Bolt M12×55
8	316.0702	Sluitering A13	Washer A13
9	303.0958	Spanbout M16	Tension bolt M16
10	315.0121	Spie 14×9×80	Feather key 14×9×80
11a	960.0678	Transportkettingas li.	Transport chain pinion axle left
11b	960.0679	Transportkettingas re.	Transport chain pinion axle right
12	355.0510	Hydromotor OMP-125 (Rap.100 en 130)	Hydro Motor OMP-125 (Rap.100 and 130)
	355.0035	Hydromotor OMP-160 (Rap.160)	Hydro Motor OMP-160 (Rap.160)
	355.0047	Hydromotor OMP-100 (Rap.100-V)	Hydro Motor OMP-100 (Rap.100-V)
13	315.0103	Spie 8×7×30	Feather key 8×7×30
14	351.0024	Zijkast Ø45 (zie blz.21)	Side box Ø45 (page 21)
15	316.0917	Bolle veerring C12,5	Spring ring C12,5
16	302.0630	Cilinderkopbout M12×25	Cylinder head bolt M12×25
17	967.0581	Kettingspanner	Chain tensioner
18	301.0745	Bout M16×70	Bolt M16×70
19	925.0481	Klembus	Clamping bush
20	942.0029	Kettingspanwiel	Chain tensioning wheel
21	313.0401	Seegersprengkring SB72	Seeger circlip SB72
22	316.0901	Veerring 16 mm	Spring ring 16 mm
23	306.0702	Moer M16	Nut M16
24	960.0680	Bodemketting (2-delig)	Deck chain (2-part)
25	960.0694	Kettingstaaf	Chain rod
26	431.0153	Verbindingsschalm	Joining link
27	933.0978	Bevestigingsschijf	Mounting disc
28	303.0932	Verz. bout M12×25	Bolt M12×25
29	306.0302	Borgmoer M12	Locking nut M12

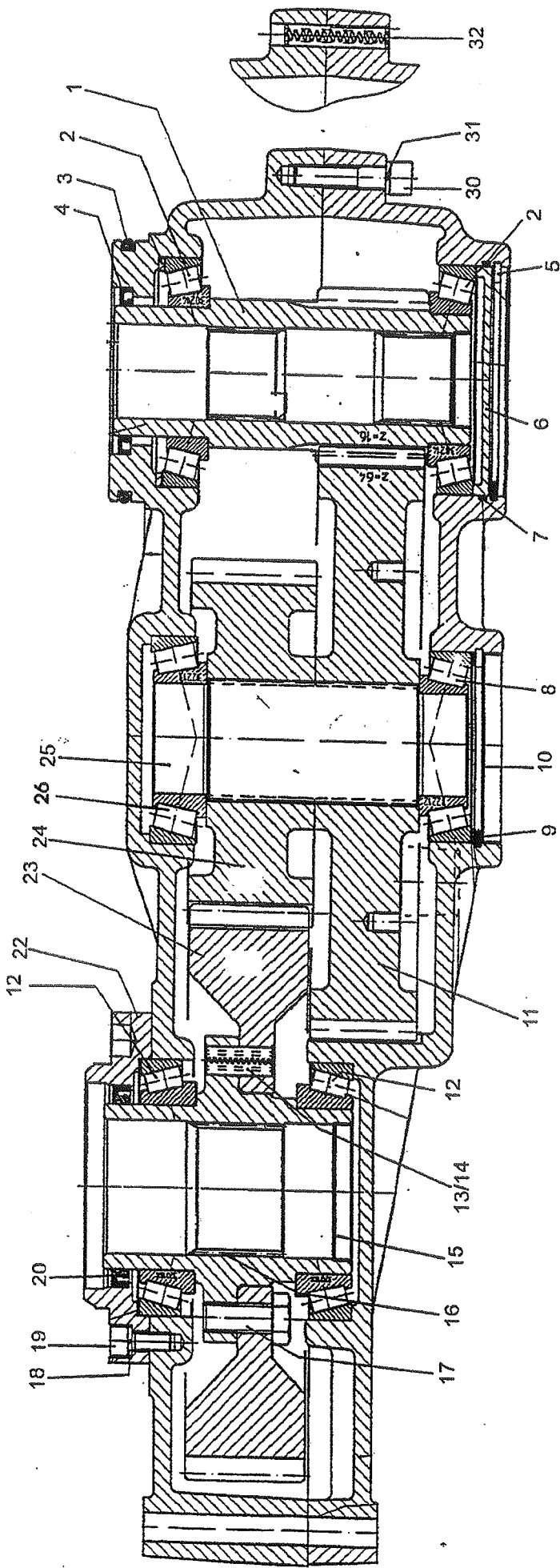


6. TOWBARS

TREKKOPPEN

Drawing no. 975.0005

<i>Fig.</i>	<i>SR-no.</i>	<i>Omschrijving</i>	<i>Description</i>
1	355.0773	Hydraulische cilinder	Hydr. Cylinder
1a	454.0808	Set afdichtingen	Set of seals
2	306.0716	Moer M39×3	Nut M39×3
3	401.0222	Stangkop GAR-40 DO	Rodend GAR-40 DO
4	920.0753	Scharnierpen-30	Pivoting -pin 30
5	316.0742	Sluitring 50/11-8	Washer 50/11-8
6	316.0906	Veerring 10 mm	Spring washer 10 mm
7	301.0805	Bout M10×25	Bolt M10×25
8	921.0077	Scharnieras-40	Hinge pin-40
9	968.0832	Trekkop KD/VO	Tow bar KD/VO
10	968.0833	Trekkop KD/DO (incl. 11)	Tow bar KD/DO (incl. 11)
11	900.0231	Draaibaar trekoog (incl.12)	Revolving drawing eye (incl. 12)
12	306.0718	Moer M42×4,5	Nut M42×4,5
13	375.0139	Splitpen 8×90	Split 8×90

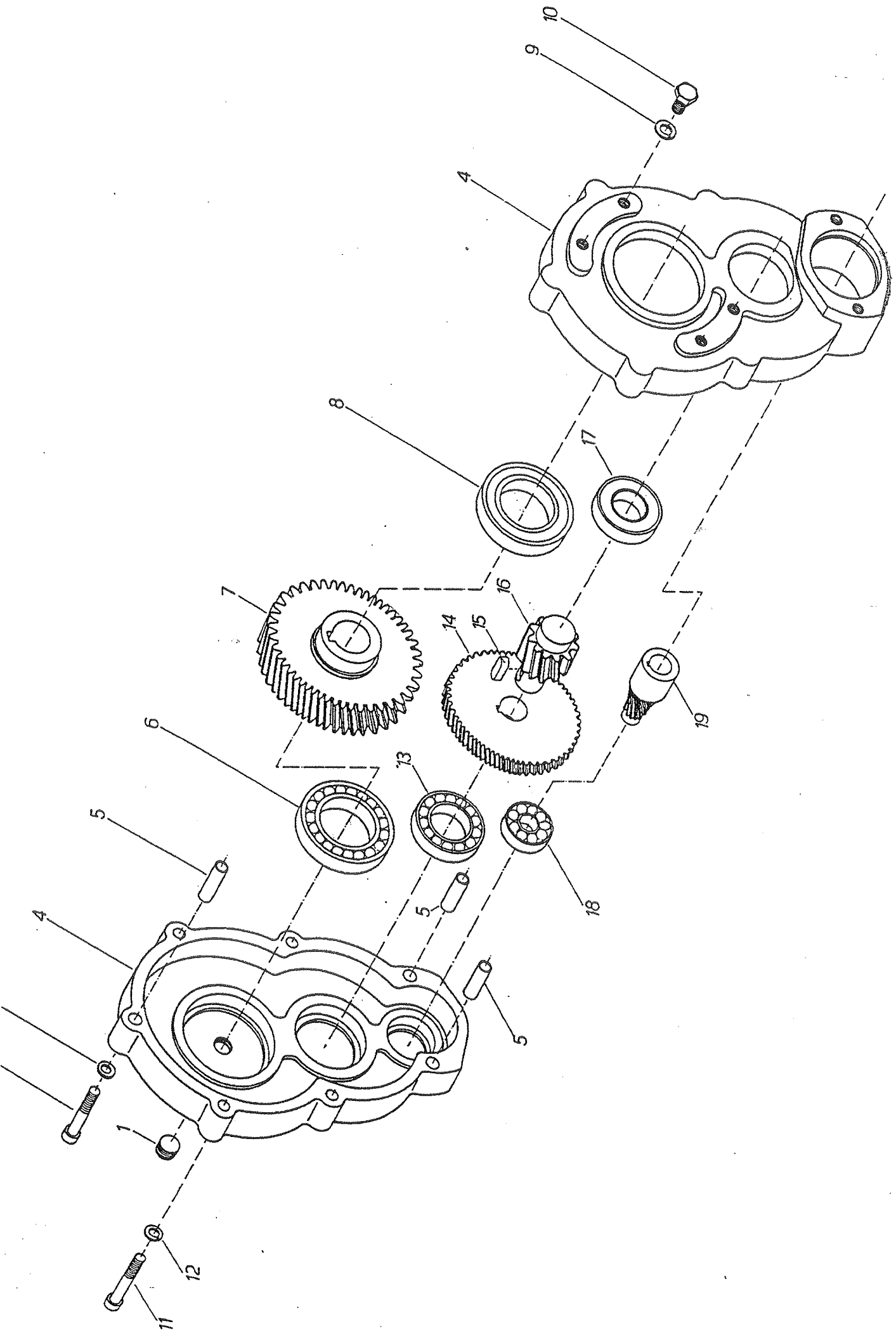


7. ROTOR GEARBOX.

ROTOR TANDWIELKAST

Article no. : 351.0074

<i>Fig.</i>	<i>SR-no.</i>	<i>Omschrijving</i>	<i>Description</i>
1	456.0066	Rondselas A50×45 Z=16	Pinion Z=16
2	401.0197	Kegellager 30214	Cone bearing 30214
3	365.0013	O-ring 130×5	O-ring 130×5
4	361.0138	Oliekeerring 70×90×7	Oil catcher 70×90×7
5	313.0218	Borgring I-125	Locking ring I-125
6	456.0071	Deksel-125	Cover-125
7	365.0015	O-ring 125×3	O-ring 125×3
8	401.0145	Kegellager 32212	Cone bearing 32212
9	313.0216	Borgring I-110	Locking ring I-110
10	349.0098	Deksel 110	Cover 110
11	456.0067	Tandwiel Z=64	Gear wheel Z=64
12	401.0149	Kegellager 32018	Cone bearing 32018
13	312.0136	Spanhuls 16×40	Clamping sleeve 16×40
14	312.0135	Spanhuls 10×40	Clamping sleeve 10×40
15	349.0092	Deksel 75	Cover 75
16	456.0069	Profielnaaf A72	Nave with splines A72
17	302.0644	Bout M16×1,5×40	Bolt M16×1,5×40
18	316.0906	Veerring 10 mm	Spring washer 10 mm
19	302.0601	Cilinderkopbout M10×25	Cylinder head bolt M10×25
20	361.0149	Oliekeerring 90×110×10	Oil catcher 90×110×10
22	456.0071	Lagerdeksel	Bearing cover
23	456.0303	Tandwiel Z=37-m8	Gear wheel Z=37-m8
24	456.0304	Tandwiel Z=23-m8	Gear wheel Z=23-m8
25	456.0073	Profielas	Shaft with splines
26	401.0195	Kegellager 32213	Cone bearing 32213
30	302.0642	Cilinderkopbout M12×45	Cylinder head bolt M12×45
	302.0643	Cilinderkopbout M12×55	Cylinder head bolt M12×55
	302.0616	Cilinderkopbout M12×100	Cylinder head bolt M12×100
31	316.0904	Veerring 12 mm	Spring washer 12 mm
32	312.0137	Spanhuls 12×60	Clamping sleeve 12×60
33	456.019	Ontluchtingsnippel M18×1,5	Air release plug M18×1,5
34	355.0279	Vulplug M18×1,5	Drain plug M18×1,5
35	456.0058	Aftapplug magn. M18×1,5	Drain plug magn. M18×1,5
36	364.0025	Dichtring 18×24×1,5	Sealing ring 18×24×1,5

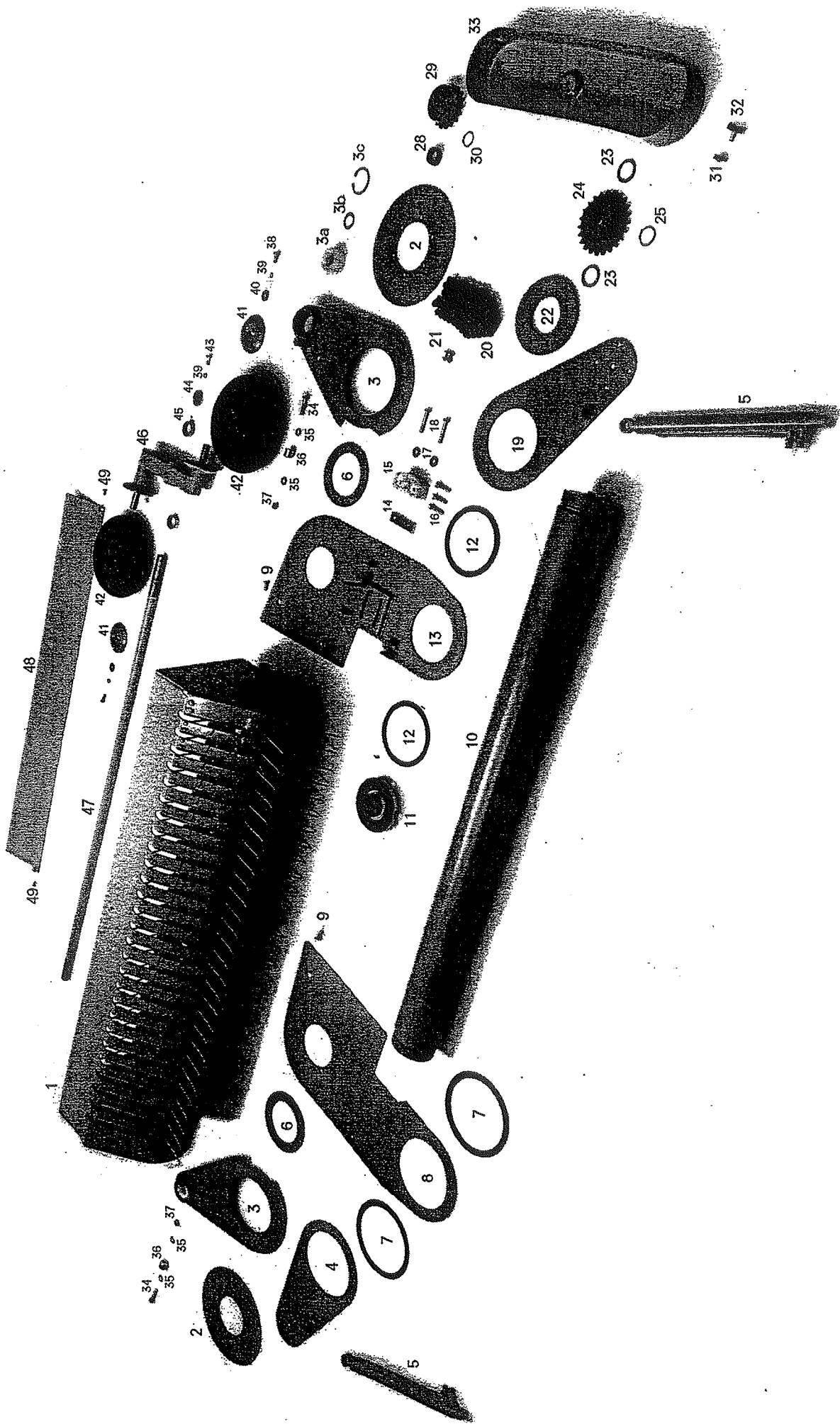


8. FLOOR DRIVING GEARBOX

BODEM-AANDRIJFKAST

Artikel no. : 351.0024

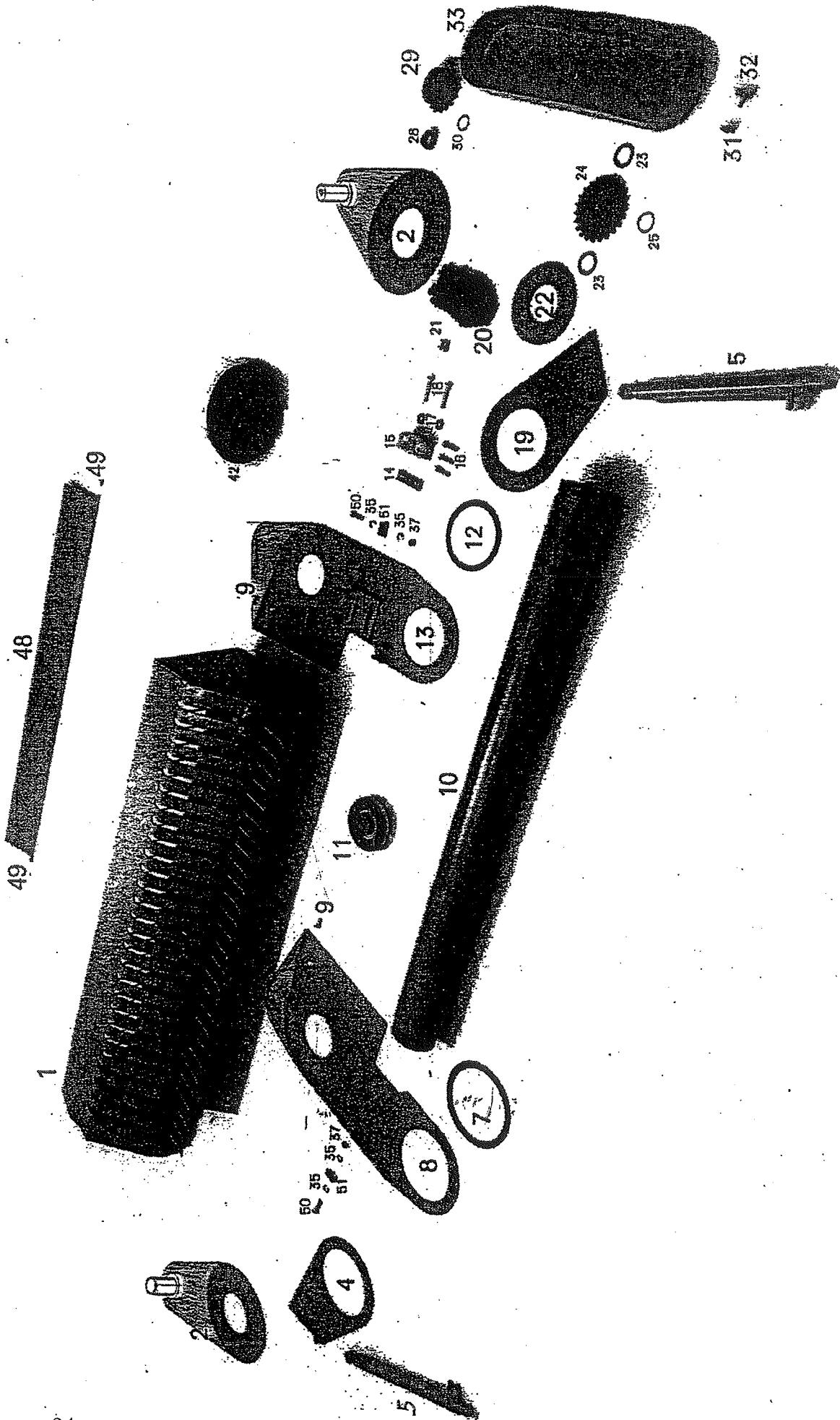
<i>Fig.</i>	<i>SR-no.</i>	<i>Omschrijving</i>	<i>Description</i>
1	381.0111	Draadstop M20×1,5	Screw plug M20×1,5
2	302.0013	Cilinderbout M10×65	Cylinder head bolt M10×65
3	316.0906	Veerring 10 mm	Spring washer 10 mm
4	450.0766	Tandwielkast (2-delig)	Gearcase (2-parts)
5	312.0127	Spanhuls 13×50	Clamping sleeve 13×50
6	401.0176	Kogellager 6013	Ball bearing 6013
7	456.0043	Tandwiel met gat Ø45	Gear wheel with hole Ø45
8	401.0177	Kogellager 6013-2RS	Ball bearing 6013-2RS
9	316.0917	Bolle veerring 12,5 mm	Spring washer 12,5 mm
10	301.0807	Bout M12×25	Bolt M12×25
11	302.0613	Cilinderkopbout M10×70	Cylinder head bolt M10×70
12	316.0705	Sluitring A 10,5	Washer A 10,5
13	401.0118	Kogellager 6009	Ball bearing 6009
14	450.0769	Tandwiel	Gear wheel
15	315.0103	Inlegspie 8×7×30	Key 8×7×30
16	450.0768	Tandrondsel	Pinion
17	401.0175	Kogellager 6207-2RS	Ball bearing 6207-2RS
18	451.0031	Kogellager 6304	Ball bearing 6304
19	450.0767	Tandas	Pinion



9. PICK-UP SUSPENSIO WITH DRIVE (5-ROWS) RAPIDE 100 AND 130

PICK-UP OPHANGING MET AANDRIJVING (5-BALKS) RAPIDE 100 EN 130

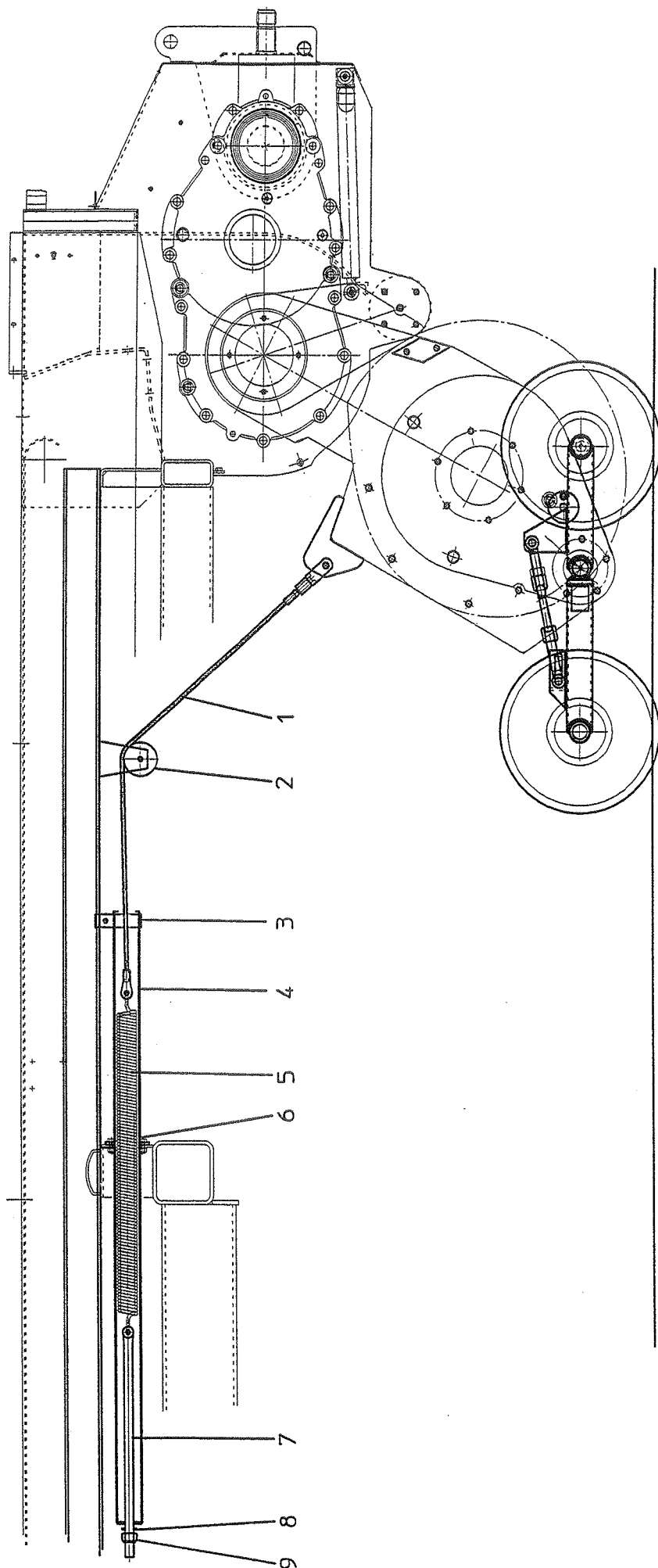
<i>Fig.</i>	<i>SR-no.</i>	<i>Omschrijving</i>	<i>Description</i>
1	433.0108	5-balks Pick-up compleet (zie blz.31)	Pick-up, 5 rows, complete (See page 31)
2	935.0425	Buitenschijf	Outer disc
3	968.0731	Loopwielplaat	Runner wheel plate
3a	402.0203	Glijlager N3536	Slide bearing N3536
3b	403.0129	Axiaalschijf AS 3552	Axial disc AS 3552
3c	313.0215	Binnenborgring	Locking ring, inside
4	961.0527	Rolplaat rechts Rap.100	Roller plate Right Rap.100
	961.0529	Pick-up hefplaat rechts Rap.130	Pick-up lifting plate right Rap.130
5	355.0792	Hydraulische cilinder (incl. 5a en b)	Hydr. cylinder (incl. a and b)
5a	402.0128	Glijlager 20/20	Slide bearing 20/20
5b	454.0810	Set afdichtingen t.b.v 5	Set of seals for 5
6	934.0073	Binnenschijf	Inner disc
7	402.0208	U-glijlager 192	U-slide bearing 192
8	953.0731	Pick-up plaat 60-re.	Pick-up-Plate 60-right
9	303.0948	Pl. verzonken bout M10×30	Countersunk Bolt M10×30
10		Invoerrol (zie blz. 37)	Feed roller Rap.100 (See page 37)
11	900.0132	Flenslager RME 60/192	Flange bearing RME 60/192
12	402.0208	U-glijlager 192	U-slide bearing 192
13	953.0742	Pick-up plaat 60-li.	Pick-up-Plate 60-left
14	912.0671	Spanstrip TB-10	Tensioning strip TB-10
14a	302.0935	Spanbout M10×140	Tension bolt M10×140
15	353.0202	Spanblok-50	Tension block-50
17	316.0719	Sluitplaat 10,5 mm	Washer 10,5 mm
18	301.0726	Bout M10×60	Bolt M10×60
19	961.0526	Rolplaat links Rap.100	Roller plate left Rap.100
19a	961.0528	Pick-up hefplaat links Rap.130	Pick-up lifting plate left Rap.130
20	356.0128	Ketting ¾" - 77	Chain ¾" - 77
21	356.0129	Verbindingsschakel ¾"	Joining link ¾"
22	936.0809	Eindflens 60/8	End flange 60/8
24	953.0673	Kettingwiel ¾"-26 met breekbout	Chain wheel ¾" - 26 with shearing bolt
24a	900.0211	Breekbout M12×62	Shearing bolt M12×62
25	313.0121	Borgring A-60	Locking ring A-60
28	926.0164	Ring - 27	Ring - 27
29	353.0350	Kettingwiel ¾"-19/35x31	Chain wheel ¾" -19/35x31
30	313.0105	Borgring A-35	Safety ring A-35
31	306.0359	Plaatmoer M8 zelfborgend	Self-locking plate nut M8
32	301.0801	Bout M8×16	Bolt M8×16
32a	316.0722	Sluitplaat 8,4 mm	Washer 8,4 mm
33	375.0501	Beschermkap	Protective cover
34	301.0715	Bout M12×45	Bolt M12×45
35	316.0702	Sluitring A13	Washer A13
36	921.0024	Aanslagnok	Stop boss
37	306.0302	Borgmoer M12	Locking nut M12
38	301.0809	Bout M10×20	Bolt M10×20
39	316.0906	Veerring 10 mm	Spring washer 10 mm
40	316.0715	Sluitring R 11	Washer R 11
41	934.0474	Afdekkapje buiten	Guard, outer
42	432.0790	Wiel 4.00×4-6 Pr.	Wheel 4.00×4-6 Pr.
43	301.0811	Bout M10×30	Bolt M10×30
44	316.0742	Sluitring 50/11-8	Washer 50/11-8
45	402.0141	Glijlager 35/20	Slide bearing 35/20
46	967.0432	Loopwielarm	Runner wheel arm
47	920.0839	Loopwielenas	Runner wheel shaft
48	968.0343	Achterplaat	Back plate
49	303.0912	Pl. verzonken bout M8×20	Countersunk bolt M8×20



10. PICK-UP SUSPENSION WITH DRIVE (6-ROWS) RAPIDE 160

PICK-UP OPHANGING MET AANDRIJVING (6 BALKS) RAPIDE 160

<i>Fig.</i>	<i>SR-no.</i>	<i>Omschrijving</i>	<i>Description</i>
1	433.0117	6-balks Pick-up 1.3/4 compl. (zie blz.33)	Pick-up, 6 rows, 1.3/4 complete (See page 33)
2	961.0532	Buitenplaat met verstelpen li.	Outer plate with adjusting bolt left
	961.0533	Buitenplaat met verstelpen re.	Outer plate with adjusting bolt, right
4	961.0529	Pick-up hefplaat rechts	Pick-up lifting plate right
5	355.0792	Hydraulische cilinder (incl. 5a en b)	Hydr. Cylinder (incl. 5a and b)
5a	402.0128	Glijlager 20/20	Slide bearing 20/20
5b	454.0810	Set afdichtingen t.b.v. 5	Set of seals for 5
7	402.0208	U-glijlager 192	U-Slide bearing 192
8	953.0745	Pick-up plaat R8/P6 rechts	Pick-up-Plate R8/P6 right
9	303.0948	Pl. verzonken bout M10×30	Countersunk bolt M10×30
10		Invoerrol Ø140 (zie blz. 37)	Feed roller Ø140 (See Page 37)
11	900.0152	Flenslager RME 60/192	Flange bearing RME 60/192
12	402.0208	U-Glijlager 192	U-Slide bearing 192
13	953.0744	Pick-up plaat R8/P6 links	Pick-up-Plate R8/P6 left
14	912.0671	Spanstrip TB-10	Tensioning strip TB-10
14a	302.0935	Spanbout M10×140	Tension bolt M10×140
15	353.0204	Spanblok-65	Tension block-65
17	316.0719	Sluitplaat 10,5 mm	Washer 10,5 mm
18	301.0752	Bout M10×75	Bolt M10×75
19	961.0528	Pick-up hefplaat links	Pick-up lifting plate, left
20	356.0192	Ketting 1" - 63	Chain 1" - 63
21	356.0144	Verloopschalm 1"	Adapter link 1"
	356.0143	Verbindingsschakel 1"	Joining link 1"
22	936.0809	Eindflens 60	End flange 60
24	953.0672	Kettingwiel 1" - 21 met breekbout	Chain wheel 1" - 21 (with shearing bolt)
24a	900.0311	Breekbout M12×55	Shearing bolt M12×55
25	313.0121	Borgring A-60	Safety ring A-60
29	953.0689	Kettingwiel 1"-18 met vrijloop	Chain wheel 1"-18, with freewheel device
30	921.0279	Eindschijf	End disc A45
30a	403.0121	Schijf AS-3047	Disc AS-3047
30b	303.0932	Verz. Bout M12×25	Countersunk bolt M12×25
31	306.0359	Plaatmoer M8 zelfborgend	Self-locking nut M8
32	301.0801	Bout M8×16	Bolt M8×16
32a	316.0722	Sluitplaat 8,4 mm	Washer 8,4 mm
33	375.0512	Beschermkap	Protective cover
34	301.0715	Bout M12×45	Bolt M12×45
35	316.0702	Sluitring A13	Washer A13
37	306.0302	Borgmoer M12	Locking nut M12
38	301.0809	Bout M10×20	Bolt M10×20
39	316.0906	Veerring 10 mm	Spring washer 10 mm
40	316.0715	Sluitring R 11	Washer R 11
42	432.0880	Wiel 15x16.00-6-V64 6 PR.	Wheel 15x16.00-6-V64 6 PR.
48	968.0343	Achterplaat	Rear plate
49	303.0912	Pl. verzonken bout M8×20	Countersunk bolt M8×20
50	301.0804	Bout M12×35	Bolt M12×35
51	913.0271	Hefblok	Lifting block
51a	281.0028	Slijtstrip	Wear strip
51b	913.0272	Steunstrip	Support strip

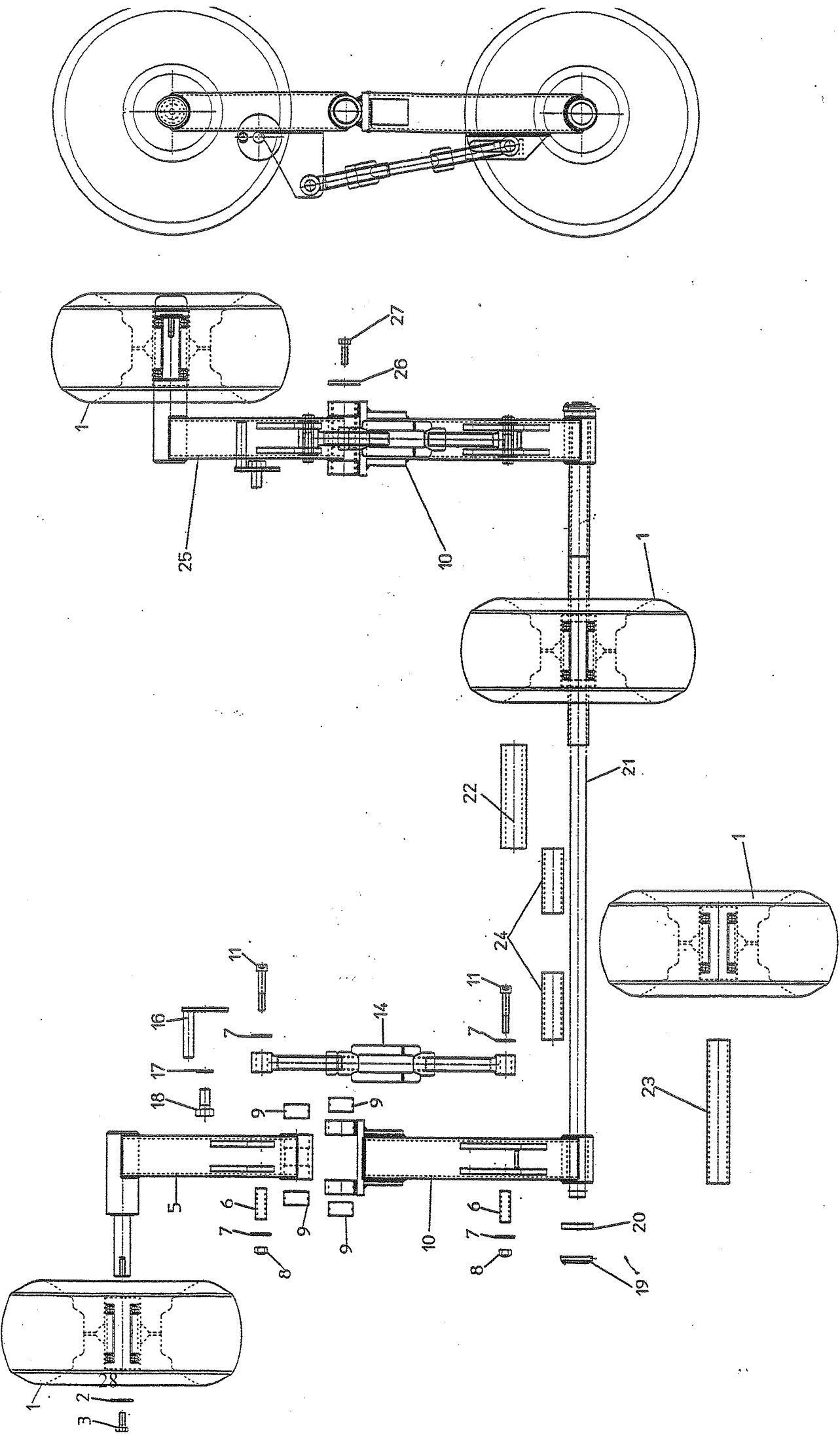


11. PICK-UP (6-ROWS) SPRING SUSPENSION GEAR RAPIDE 160

PICK-UP (6-BALKS) VERENDE OPHANGING RAPIDE 160

Drawing no. : 975.0037

<i>Fig.</i>	<i>SR-no.</i>	<i>Omschrijving</i>	<i>Description</i>
1	462.0179	Staalkabel	Steel cable
2	281.0033	Kabelrol	Cable roller
2a	925.0712	Busje L=40.	Tube L=40
2b	301.0725	Bout M10x65	Bolt M10x65
2c	316.0705	Sluitring A10,5	Washer A10,5
2d	306.0306	Borgmoer M10	Locking nut M10
3	913.0774	Klembeugel	Clamp
3a	301.0730	Bout M8x70	Bolt M8x70
3b	316.0703	Sluitring A8,4	Washer A8,4
3c	306.0312	Borgmoer M8	Locking nut M8
4	969.0989	Veerbuis	Springtube
5	331.0116	Trekveer	Draw spring
6	301.0805	Bout M10x25	Bolt M10x25
6a	316.0705	Sluitring A10,5	Washer A10,5
6b	306.0306	Borgmoer M10	Locking nut M10
7	969.0998	Veerspanstang	Spring stretcher
8	316.0725	Sluitring A21	Washer A21
9	306.0706	Moer M20	Nut M20

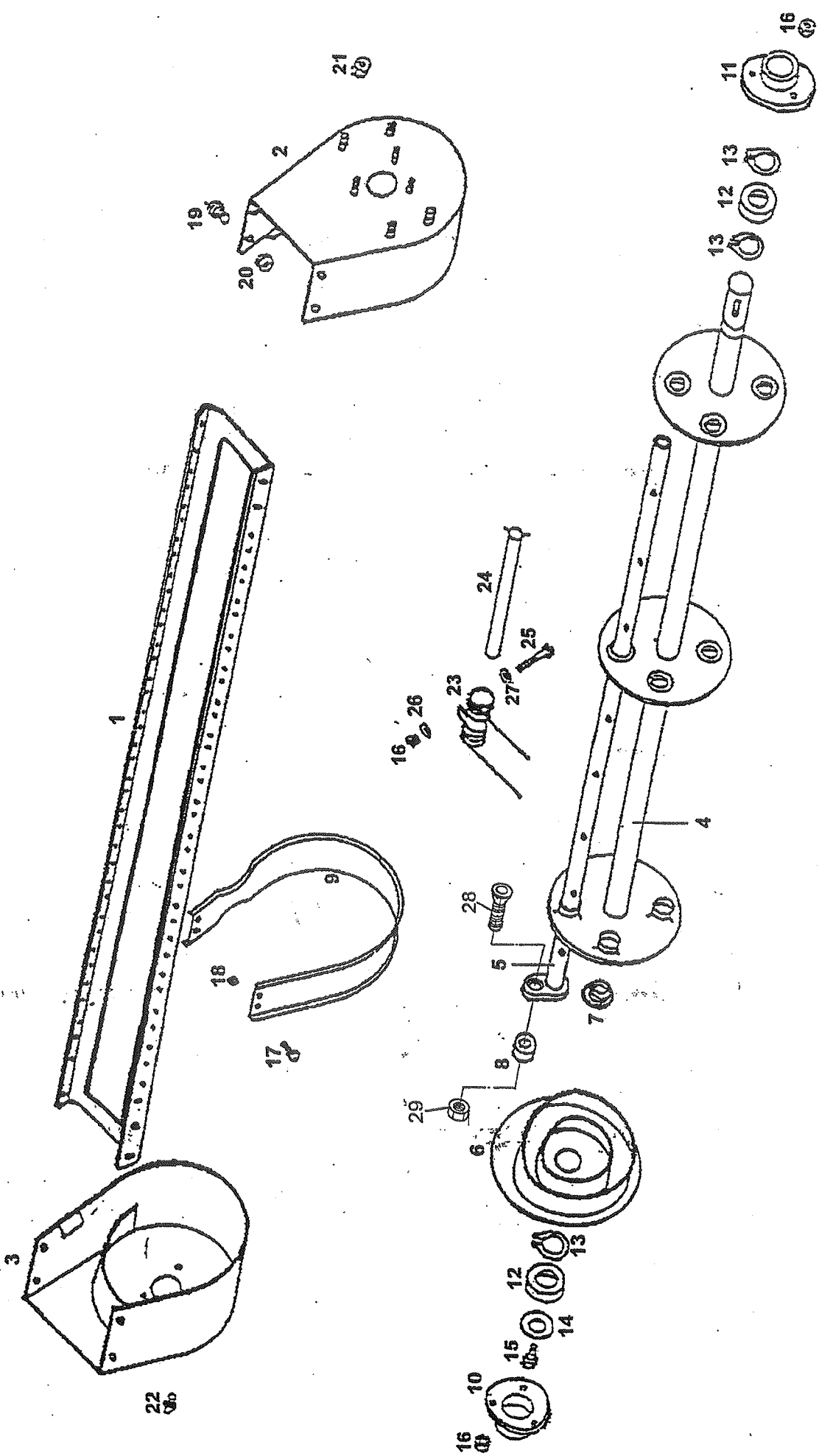


12. DOUBLE RUNNER WHEEL RAPIDE 160

TANDEM LOOPWIELSTEL RAPIDE 160

Drawing no. : 994.0471

<i>Fig.</i>	<i>SR-no.</i>	<i>Omschrijving</i>	<i>Description</i>
1	432.0880	Wiel 15x6.00-6-V64 6PR	Wheel 16x6.00-6-V64 6PR
1a	432.0338	Velg 4.50x6	Rim 4.50x6
1b	401.0143	Kogellager 6205-2RS	Bal bearing 6205-2RS
1c	432.0145	Buitenband 15x6.00-6 V64 6PR	Tyre 15x6.00-6 V64 6PR
1d	432.0146	Binnenband 15x6.00	Inner tub 15x6.00
2	316.0715	Sluitring R11.	Washer R11
3	301.0809	Bout M10x20	Bolt M10x20
4	349.0060	Naafcap 52/26	Hub cap 52/26
5	961.0624	Loopwielarm LV	Runner arm LV
6	925.0474	Buisje L46	Bush L46
7	316.0719	Sluitplaat A10,5	Washer A10,5
8	306.0306	Borgmoer M10	Locking nut M10
9	402.0141	Glijlager 35/20	Slide bearing 35/20
10	961.0625	Loopwielarm A	Runner arm A
11	302.0603	Cilinderkopbout M10x60	Cylinder head bolt M10x60
14	953.0719	Stelwartel	Adjusting screw
16	961.0642	Excentriek aanslag	Eccentric stop
17	316.0901	Veerring 16mm	Spring washer 16mm
18	301.0825	Bout M16x30	Bolt M16x30
19	375.0106	Fergusonclip 8mm	Fergusonclip 8mm
20	900.0330	Ring	Disc
21	921.0277	Loopwielenas	Runner shaft
22	926.0408	Buis L850	Bush L850
23	926.0403	Buis L208	Bush L208
24	926.0402	Buis L100	Bush L100
25	961.0626	Loopwielarm RV	Runner arm RV
26	316.0742	Sluitring 50x11-8	Washer 50x11-8
27	301.0811	Bout M10x30	Bolt M10x30

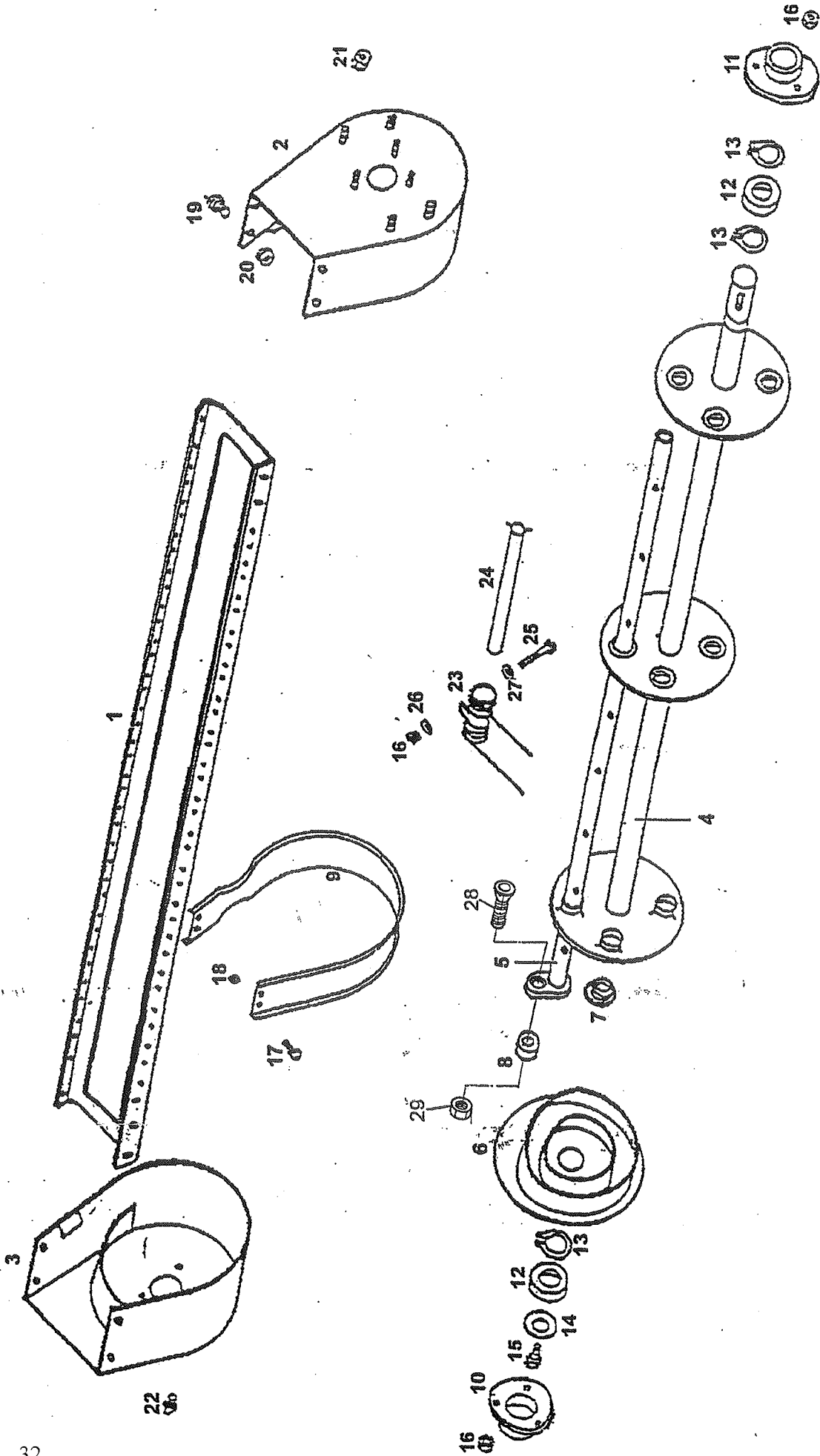


13. 5-ROWS PICK-UP RAPIDE 100 AND 130

5-BALKS PICK-UP RAPIDE 100 EN 130

Article no. complete pick-up: 433.0108

<i>Fig.</i>	<i>SR-no.</i>	<i>Omschrijving</i>	<i>Description</i>
1	-	Frame	Frame
2	458.0045	Eindkap links	End cover left
3	458.0046	Eindkap rechts	End cover right
4	458.0047	Aandrijfas	Drive shaft
5	458.0048	Veerass	Spring shaft
6	458.0049	Curve-plaat	Curve plate
7	450.0938	Nylonbus	Nylon sleeve
8	401.0216	Looprol LR-5201	Roller bearing LR-5201
9	458.0050	Geleidebeugel	Guide bracket
10	458.0054	Lagerhuis blind	Bearing housing
11	458.0055	Lagerhuis met gat	Bearing housing (with hole)
12	401.0175	Kogellager 6207-2RS	Ball bearing 6207-2RS
13	313.0105	Buitenborgring A35	Locking ring A35, outside
14	934.0236	Ring Ø10/40×3	Ring Ø10/40×3
15	301.0801	Bout M8×16	Bolt M8×16
16	306.0312	Borgmoer M8	Locking nut M8
17	301.0820	Bout M6×16	Bolt M6×16
18	306.0707	Moer M6	Nut M6
19	301.0809	Bout M10×20	Bolt 10×20
20	306.0701	Moer M10	Nut M10
21	306.0704	Moer M12	Nut M12
22	342.0103	Smeernippel M10×1-180	Grease nipple M10×1-180
23	458.0053	Pick-up tand	Pick-up tine
24	458.0051	Tandveerbuis	Tine spring tube
25	301.0747	Bout M8×50	Bolt M8×50
26	316.0713	Sluitring R9	Washer R9
27	458.0052	Klemstukje	Clamping piece
28	303.0930	Verz. Bout M12×40	Countersunk bolt M12×40
29	458.0068	Moer M12	Nut M12



14. 6-ROWS PICK-UP

6-BALKS PICK-UP

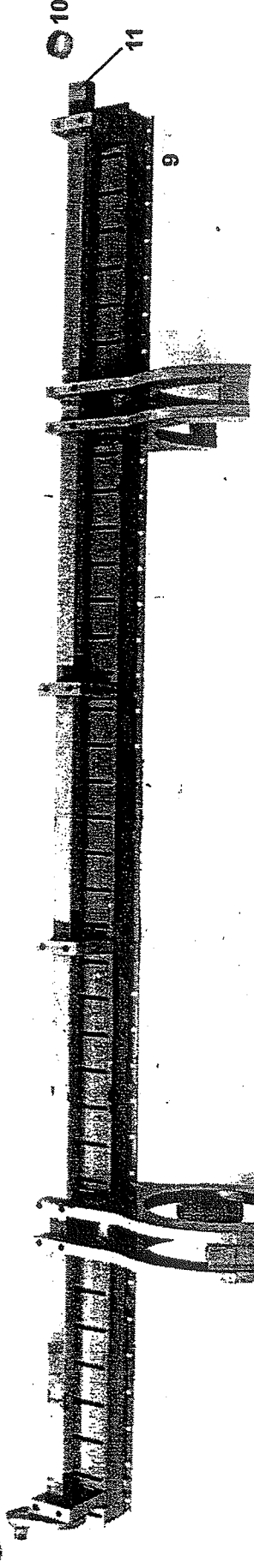
Article no. complete pick-up: 433.0117

<i>Fig.</i>	<i>SR-no.</i>	<i>Omschrijving</i>	<i>Description</i>
1	-	Frame	Frame
2	458.0056	Eindkap links	End cover left
3	458.0057	Eindkap rechts	End cover right
4	458.0070	Aandrijfas 1.3/4-6	Drive shaft 1.3/4-6
5	458.0060	Veeras	Spring shaft
6	458.0062	Curve-plaat	Curve-plate
7	450.0938	Nylonbus	Nylon bush
8	401.0216	Looprol LR-5201	Roller bearing LR-5201
9	458.0063	Geleidebeugel	Guide bracket
10	458.0064	Lagerhuis	Bearing housing
11	458.0064	Lagerhuis	Bearing housing
12	401.0208	Kogellager 6209-2RS	Ball bearing 6209-2RS
13	313.0111	Borgring A-45	Safety ring A-45
14	934.0236	Ring Ø10/40×3	Ring Ø10/40×3
15	301.0801	Bout M8×16	Bolt M8×16
16	306.0312	Borgmoer M8	Nut M8
17	301.0820	Bout M6×16	Bolt M6×16
18	306.0707	Moer M6	Nut M6
19	301.0809	Bout M10×20	Bolt M10×20
20	306.0701	Moer M10	Nut M10
21	306.0704	Moer M12	Nut M12
22	342.0103	Smeernippel M10×1-180	Grease nipple M10×1-180
23	458.0072	Pick-up tand	Pick-up tine
24	458.0051	Tandveerbuis	Tine spring tube
25	301.0747	Bout M8×50	Bolt M8×50
26	316.0713	Sluitring R9	Washer R9
27	458.0052	Klemstukje	Clamping piece
28	303.0930	Verz.bout M12×40	Countersunk bolt M12×40
29	458.0068	Moer M12	Nut M12

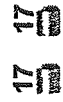
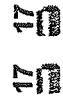
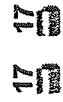


5 6 7
8 8 8 8 8 8 8

26



25 24 23 17 17 17



19



19



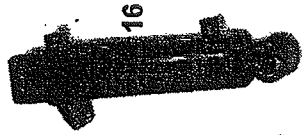
21



18



17



13



14



13



14



13



15



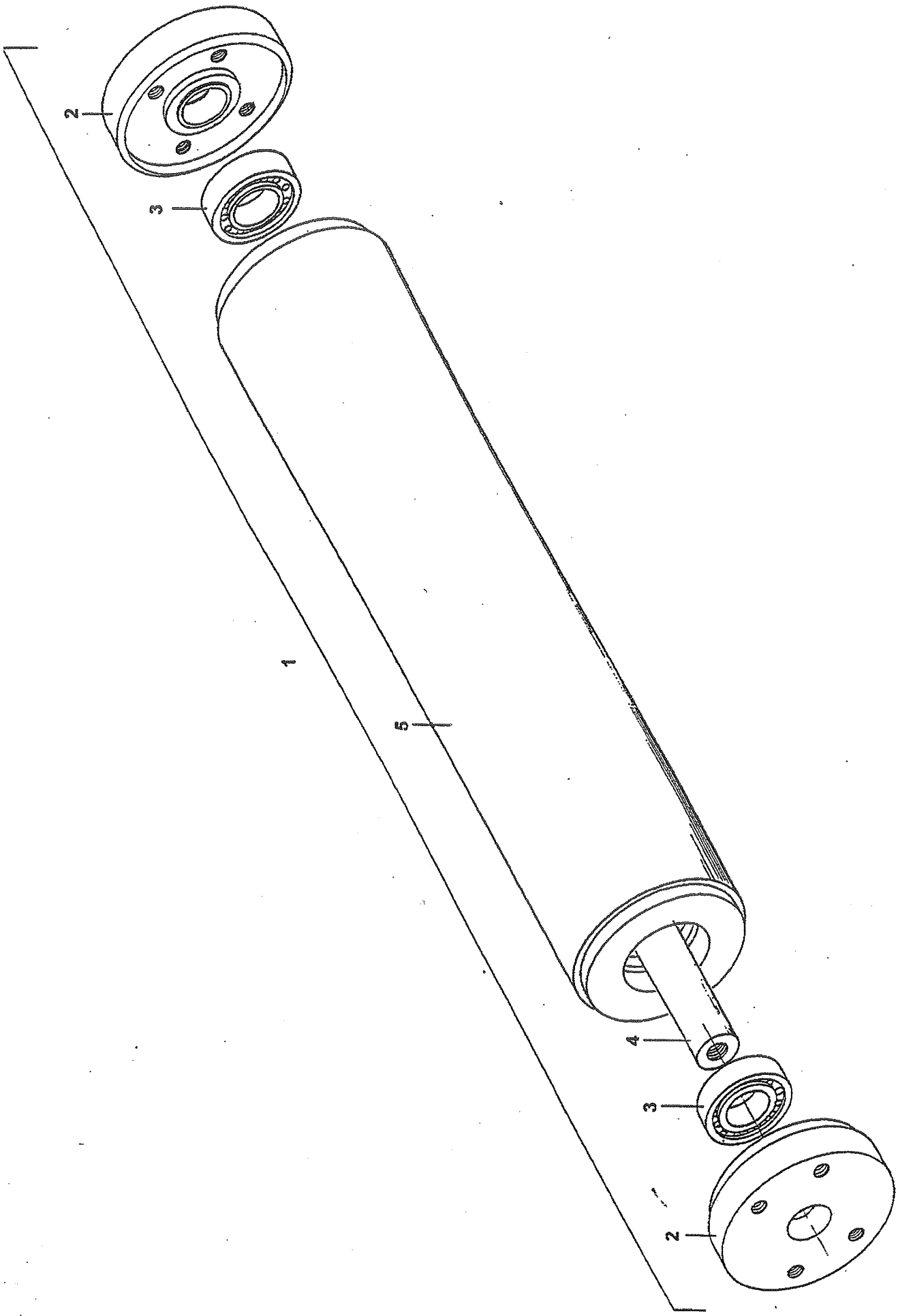
12



15. CHOPPING DEVICE

SNIJ-INRICHTING

<i>Fig.</i>	<i>SR-no.</i>	<i>Omschrijving</i>	<i>Description</i>
1	433.0102	Mes	Knife
2	912.0605	Klemstrip voor messenbalk	Clamping strip for cutter bar
3	374.0175	Rubberen afdichtstrook	Rubber sealing
4	912.0604	Steunstrip	Support strip
5	316.0705	Sluistring A10,5	Washer A10,5
6	316.0906	Veerring 10 mm	Spring washer 10 mm
7	301.0809	Bout M10×20	Bolt M10×20
8	301.0805	Bout M10×25	Bolt M10×25
9	960.0248	Messenbalk (incl. 10 t/m 14)	Cutter bar (incl. 10 to 14)
10	402.0130	Glijlager 30/15	Slide bearing 30/15
11	967.0040	Messenborg-as	Knife-locking shaft
12	281 0010	Kunststof glijstrook 8×4	Plastic sliding strip 8×4
13	316.0919	Tandveerring J16,5	Toothed spring ring J16,5
14	302.0622	Cilinder kopbout M16×60	Cylinder head bolt M16×60
15	301.0801	Bout M8×16	Bolt M8×16
16	355.0791	Hydr. cilinder D25-50/138 (incl. 17 en 17a)	Hydr. cylinder D20-40/138 (incl. 17 and 17a)
	454.0813	Set afdichtingen t.b.v. 16	Set of seals for 16
17	402.0129	Glijlager 20/25	Slide bearing 20/25
18	920.0751	Scharnierpen	Pivoting pin
20	355.0142	Rechte fitting 1/2"	Straight fitting 1/2"
20a	355.0280	Sluitschroef 1/2"	Closing screw 1/2"
21	953.0716	Hydr. membraanaccu 80bar (incl. 19 en 20)	Hydr. accumulator 80bar (incl. 19 en 20)
	953.0717	Hydr. membraanaccu 120bar (incl. 19 en 20)	Hydr. Accumulator 120bar (incl. 19 en 20)
23	900.0379	Bout M20×155	Bolt M20×155
23a	926.0197	Busje L15	Buch L15
23b	306.0314	Borgmoer M20	Locking nut M20
24	306.0704	Moer M12	Nut M12
25	301.0804	Bout M12×35	Bolt M12×35
26	401.0201	Looprol LR 202 NPP	Roller bearing LR 202 NPP

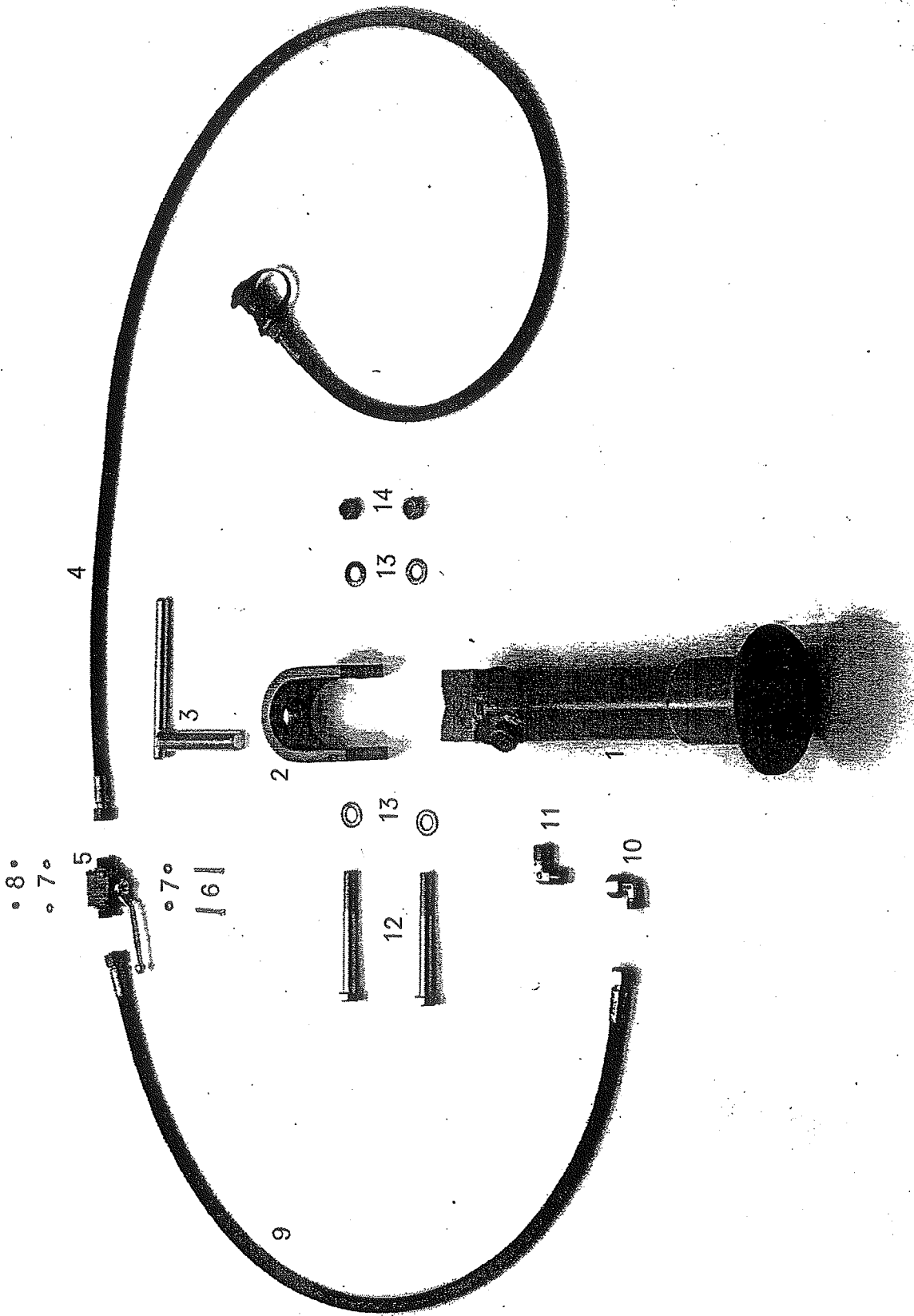


16. FEED ROLLER.

INVOERROL

Drawing no. 975.0010

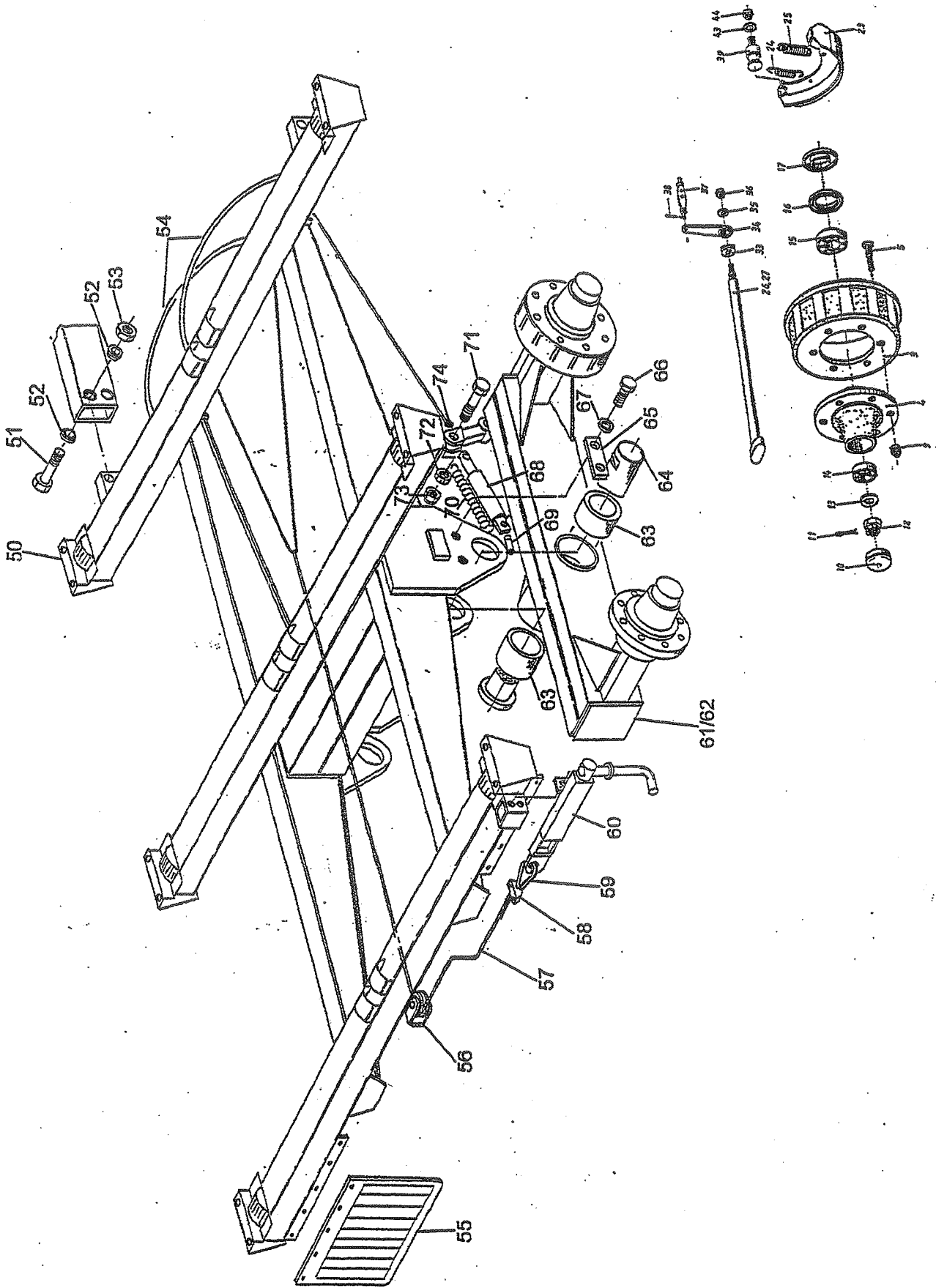
<i>Fig.</i>	<i>SR-no.</i>	<i>Omschrijving</i>	<i>Description</i>
1	953.0503	Invoerrol compleet Rap.100	Feed roller complete Rap. 100
	953.0574	Invoerrol compleet Rap.130 en 160	Feed roller complete Rap. 130 and 160
2	920.0799	Eindflens	End flange
3	401.0175	Kogellager 6207-2RS	Ball bearing 6207-2RS
4	920.0801	Rol as Rap.100	Roller shaft Rap. 100
	921.0055	Rol as Rap. 130 en 160	Roller shaft Rap. 130 and 160
5	967.0338	Invoerrol Rap. 100	Feed roller Rap. 100
	968.0734	Invoerrol Rap. 130 en 160	Feed roller Rap. 130 and 160



17. HYDRAULIC PARKING SUPPORT

HYDRAULISCHE STEUNPOOT

<i>Fig.</i>	<i>SR-no.</i>	<i>Omschrijving</i>	<i>Description</i>
1	967.0781	Steunpootcilinder	Parking support cylinder
1a	454.0059	Set afdichtingen t.b.v. 1	Set of seals for 1
2	911.0784	Scharnierstuk	Hinge piece
3	967.0780	Grendelpen	Locking pin
4	417.0406	Hydr. slang	Hydr. Hose
5	355.0667	Tweeweg kogelkraan NW10	Two-way bal valve NW10
6	303.0952	Cilinder kopschroef M5×45	Cylinder head screw M5×45
7	316.0730	Sluitring A5,3	Washer A5,3
8	306.0335	Borgmoer M5	Locking nut M5
9	417.0404	Hydr. slang	Hydr. Hose
10	355.0197	Instelbare haakse koppeling 12	Adjustable angle coupling 12
11	355.0124	Haakse koppeling	Angle coupling
12	301.0783	Bout M16×140	Bolt M16×140
13	316.0707	Sluitring A17	Washer A17
14	306.0303	Borgmoer M16	Locking nut M16

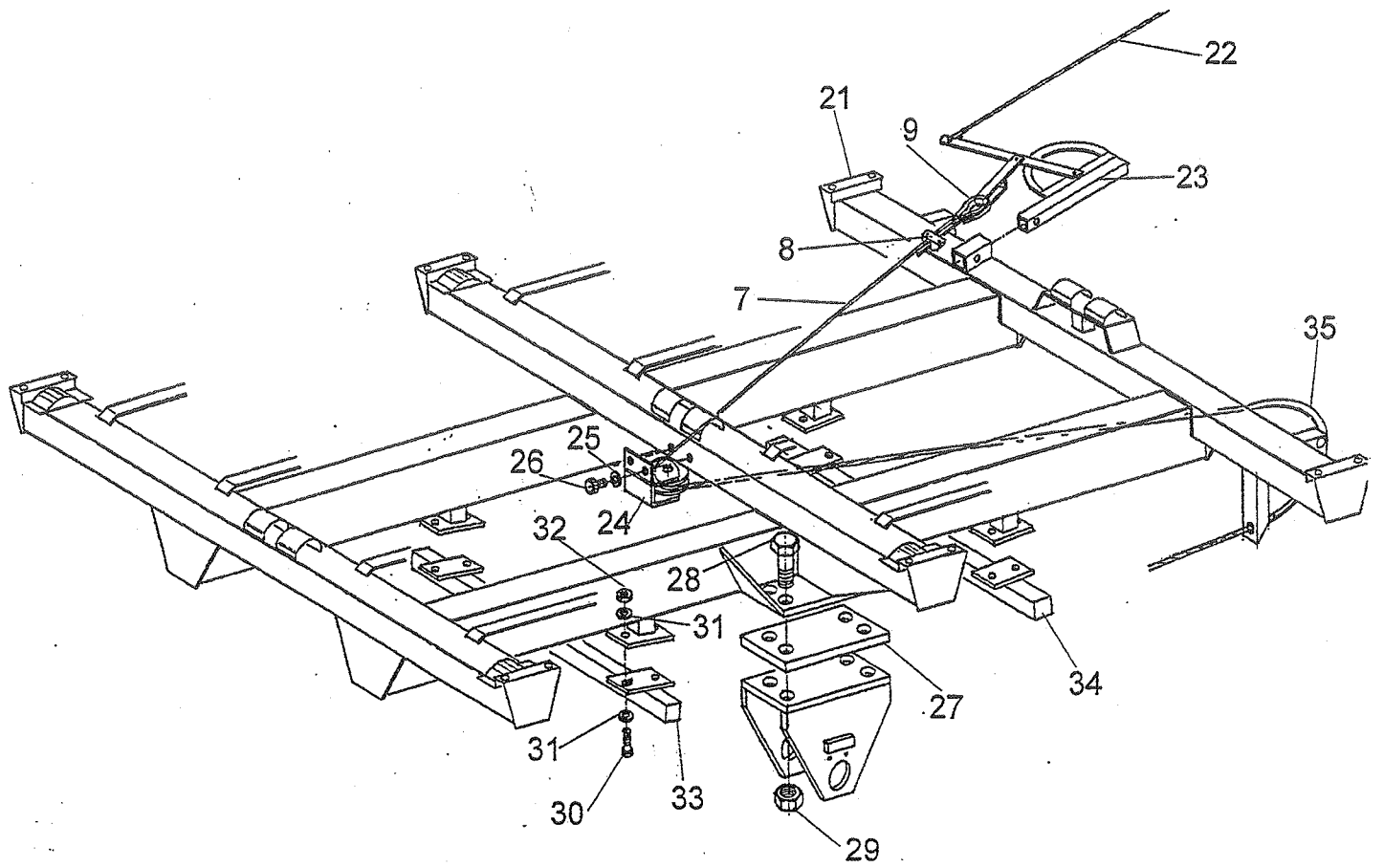
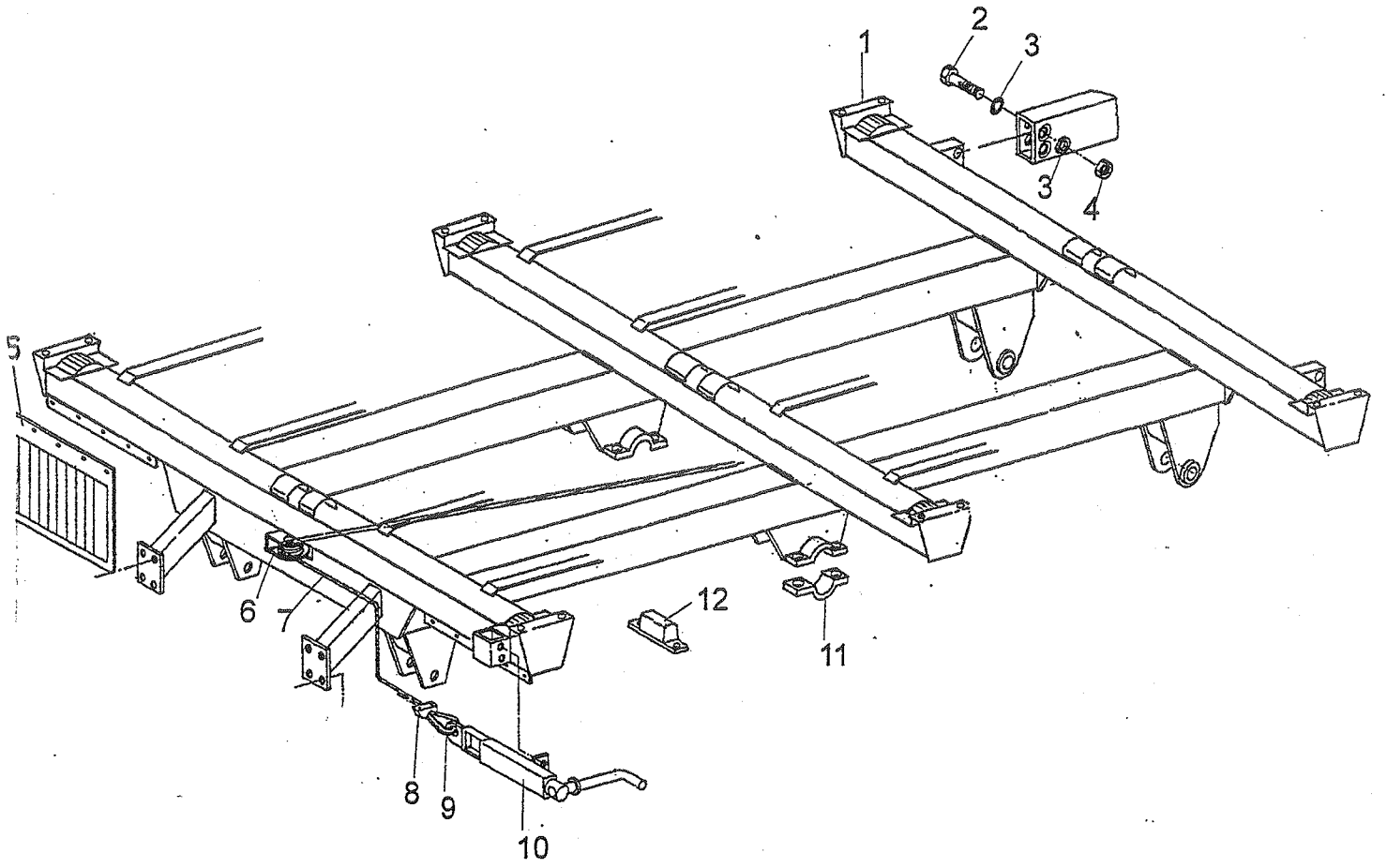


18. TANDEM FRAME TAP-BPW RAPIDE 100

TANDEMFRAME TAP-BPW RAPIDE 100

Drawing no.975.0026

<i>Fig.</i>	<i>SR-no.</i>	<i>Omschrijving</i>	<i>Description</i>
3	452.0042	Remtrommel 318-20	Brake drum 318-20
4	452.0041	Wielnaaf 7008-20	Wheel hub 7008-20
5	450.0835	Wielbout M20×54	Wheel bolt M20×54
	450.0629	Wielbout M20×70	Wheel bolt M20×70
9	450.0417	Wielmoer M20	Wheel nut M20
9a	450.0631	Conische Veerring 20mm	Conical spring ring 20mm
10	450.0634	Naafdop 90mm	Hub cap 90mm
11	375.0124	Splipen 6mm	Split pin 6mm
12	306.0317	Kroonmoer M36×1,5	Castle nut M36×1,5
13	316.0739	Schijf 37mm	Disc 37mm
14	450.0319	Kegellager 30210	Cone bearing 30210
15	401.0147	Kegellager 32014	Cone bearing 32014
16	452.0011	Vetkeerring 32014	Oil catcher 32014
17	452.0010	Steunring 32014	Supporting ring 32014
24	450.0274	Trekveer	Draw spring
25	450.0531	Trekveer	Draw spring
26	452.0xxx	Remas	Brake shaft
34	967.0805	Remhefboom	Brake lever
39	452.0021	Rembout 318	Brake bolt 318
43	316.0918	Veerring 24mm	Spring washer 24mm
44	306.0717	Moer M24×1,5	Nut M24×1,5
50	961.0935	Tandemframe TAP	Tandem frame TAP
51	301.0771	Bout M20×90	Bolt M20×90
52	316.0311	Conische veerring 20mm	Conical spring ring 20mm
53	306.0706	Moer M20	Nut M20
55	374.0167	Spatlap 500×400	Mud quard 500×400
61	435.0932	Pendelarm 1050-Li.	Oscillating lever 1050-Left
62	435.0933	Pendelarm 1050-Re.	Oscillating lever 1050-Right
63	450.0950	Glijlagerbus	Slide-bearing bush
64	435.0907	Pendelas	Oscillating axle
65	435.0908	Borgplaat	Locking plate
66	301.0825	Bout M16×30	Bolt M16×30
67	316.0901	Veerring 16mm	Spring washer 16mm
68	355.0774	Remcilinder	Brake cylinder
68a	454.0802	Set afdichtingen	Set of seals
69	312.0113	Spanstift 6mm	Clamping pin
70	331.0106	Trekveer	Draw spring
71	301.0759	Bout M16×80	Bolt M16×80
72	306.0702	Moer M16	Nut M16
73	306.0303	Borgmoer M16	Locking nut M16

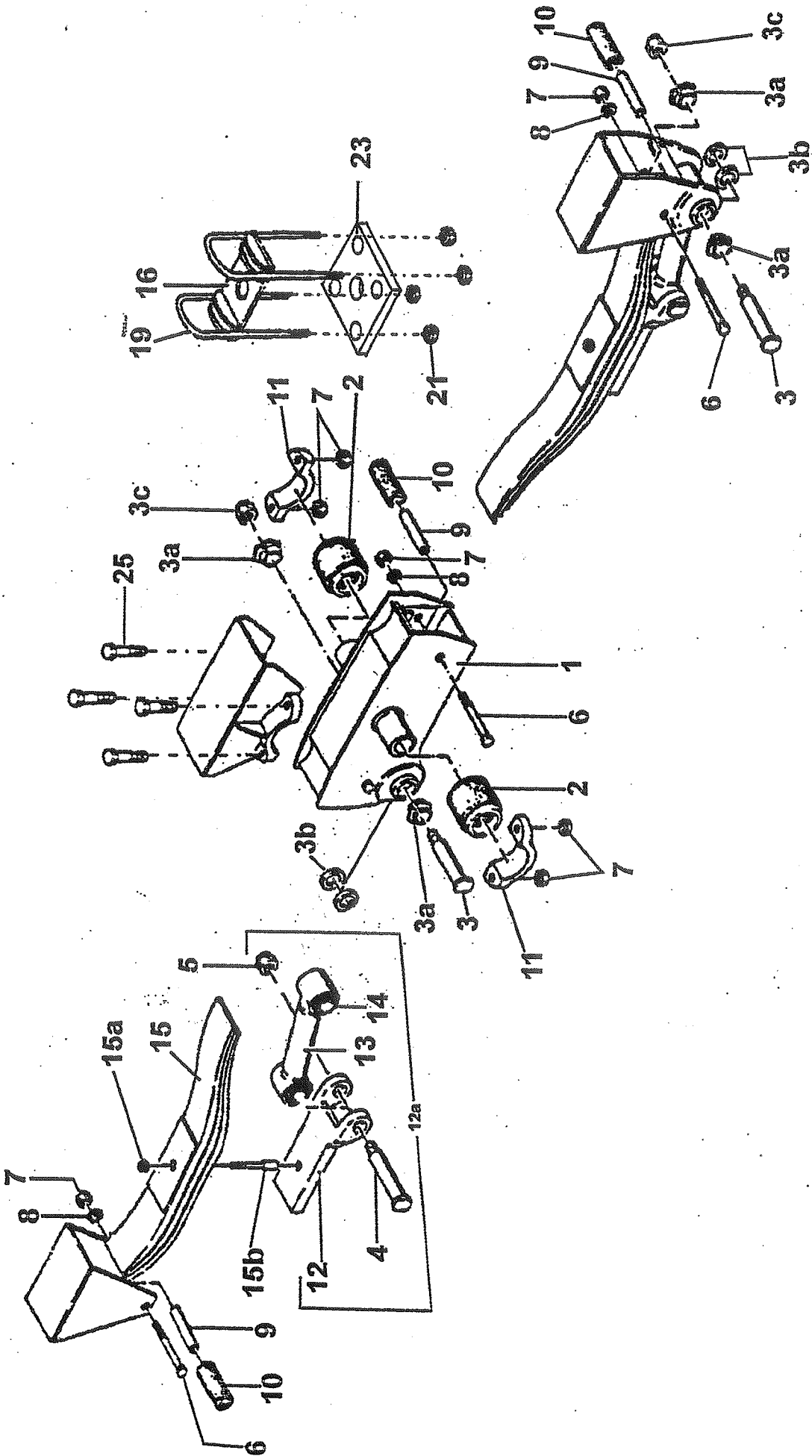


19. TANDEM FRAME RAPIDE 130 AND 160

TANDEMFRAME RAPIDE 130 EN 160

Drawing no.975.0027

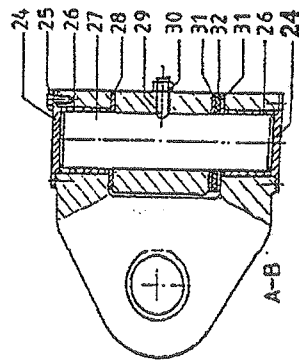
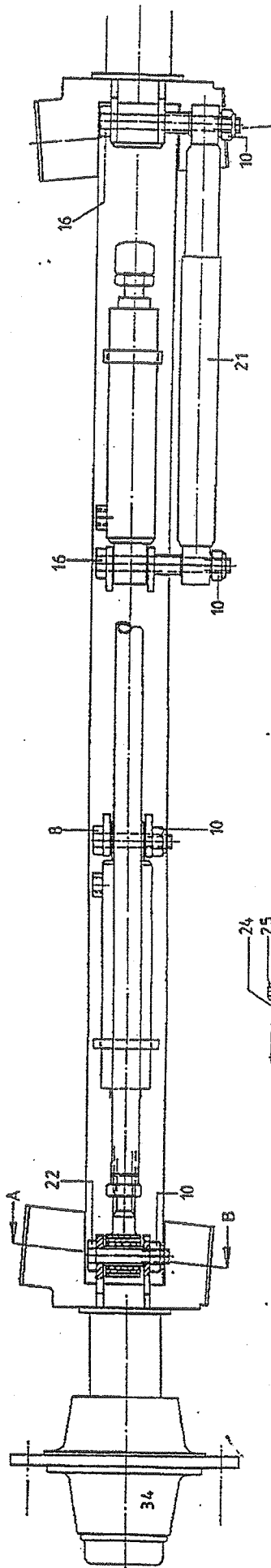
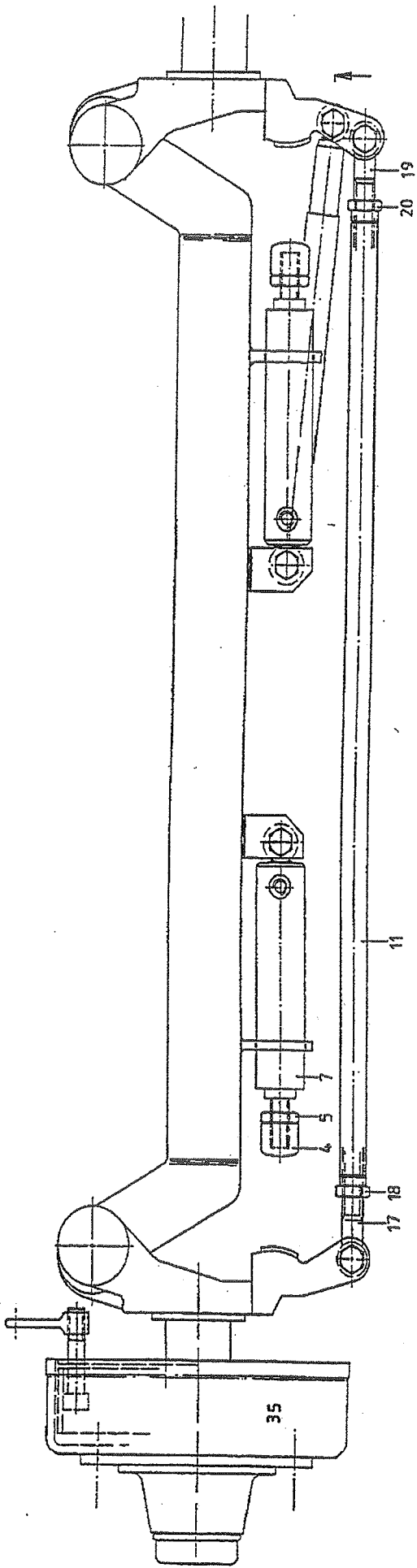
<i>Fig.</i>	<i>SR-no.</i>	<i>Omschrijving</i>	<i>Description</i>
1	961.0131	Tandemframe Rapide 130	Tandem frame Rapide 130
	961.0136	Tandemframe Rapide 160	Tandem frame Rapide 160
2	301.0771	Bout M20×90	Bolt M20×90
3	316.0311	Conische veerring 20mm	Conical spring ring 20mm
4	306.0706	Moer M20	Nut M20
5	374.0167	Spatlap 500×400	Mud quard 500×400
11	462.0555	Lagerschaal	Bearing cup
12	376.0158	Rubber aanslagblok	Bumpstop
21	961.0110	Tandemframe Rapide 130	Tandemframe Rapide 130
	961.0644	Tandemframe Rapide 160	Tandemframe Rapide 160
28	301.0790	Bout M24x2-75	Bolt M24x2-75
29	306.0333	Borgmoer M24x2	Locking nut M24x2
30	301.0804	Bout M12x35	Bolt M12x35
31	316.0702	Sluitring A13	Washer A13
32	306.0302	Borgmoer M12	Locking nut M12
33	961.0549	Pendelstop-achter	Bumpstop-rear
34	961.0548	Pendelstop-achter	Bumpstop-front



20. GIGANT SPRING ASSEMBLIES

GIGANT VEERSTELLEN

<i>Fig.</i>	<i>SR-no.</i>	<i>Omschrijving</i>	<i>Description</i>
1	462.0513	Pendelstuk Rap.100 en 130	Oscillating piece Rap.100 and 130
	462.0517	Pendelstuk Rap.160	Oscillating piece Rap.160
2	450.0925	Rubberbus	Rubber bushing
3	462.0538	Excenterbout (incl.3a, b en c)	Eccentric bolt (incl. 3a, band c)
4	450.0926	Veerbout M27×1,5 (incl. 5)	Suspension bolt (incl. 5)
5	450.0927	Moer M27×1,5	Nut M27×1,5
6	301.0716	Bout M16×130 Rap.100 en 130	Bolt M16×130 Rap.100 and 130
	301.0713	Bout M16×160 Rap.160	Bolt M16×160 Rap.160
7	306.0303	Borgmoer M16	Locking nut M16
8	316.0707	Sluitring A17	Sealing ring A17
9	926.0273	Buisje L=96 Rap.100 en 130	Bush L=96 Rap.100 and 130
	926.0274	Buisje L=116 Rap.160	Bush L=116 Rap.160
10	462.0556	Rubberrol L=80 Rap.100 en 130	Rubber roller L=80 Rap.100 and 130
	462.0557	Rubberrol L=100 Rap.160	Rubber roller L=100 Rap.160
11	462.0555	Lagerschaal middenstoel	Bearing cup middle block
12	-	Veertrekplaat	Spring drawing plate
12a	462.0531	Trekveearm 80/244 Rap.100	Draw spring arm 80/244 Rap.100
	462.0430	Trekveearm 80/353 Rap.130	Draw spring arm 80/353 Rap.130
	462.0534	Trekveearm 100/453 Rap.160	Draw spring arm 100/453 Rap.160
13	-	Veertrekarm (incl. 14)	Spring draw arm (incl. 14)
14	450.0944	Rubberbus	Rubber bushing
15	462.0521	Veerpakket 80/1200 Rap.100	Spring assembly 80/1200 Rap.100
	462.0520	Veerpakket 80/1400 Rap.130	Spring assembly 80/1400 Rap.130
	462.0523	Veerpakket 100/1600 Rap.160	Spring assembly 100/1600 Rap.160
16	968.0372	Veerplaat 80/100 Rap.100 en 130	Spring plate 80/100 Rap.100 and 130
	968.0376	Veerplaat 100/110 Rap.160	Spring plate 100/110 Rap.160
19	462.0542	Veerstrop M20×320 Rap.100 en 130	Spring U-bolt M20×320 Rap.100 and 130
	462.0548	Veerstrop M24×400 Rap.160	Spring U-bolt M24×400 Rap.160
21	462.0551	Borgmoer M20×2,5 Rap.100 en 130	Locking nut M20×2,5 Rap.100 and 130
	462.0552	Borgmoer M24×3 Rap.160	Locking nut M24×3 Rap.160
23	912.0172	Veer-asplaat 80/100 Rap.100 en 130	Spring axle plate 80/100 Rap.100 and 130
	912.0176	Veer-asplaat 100/110-40 Rap.160	Spring axle plate 100/110-40 Rap.160
25	301.0745	Bout M16×70	Bolt M16×70

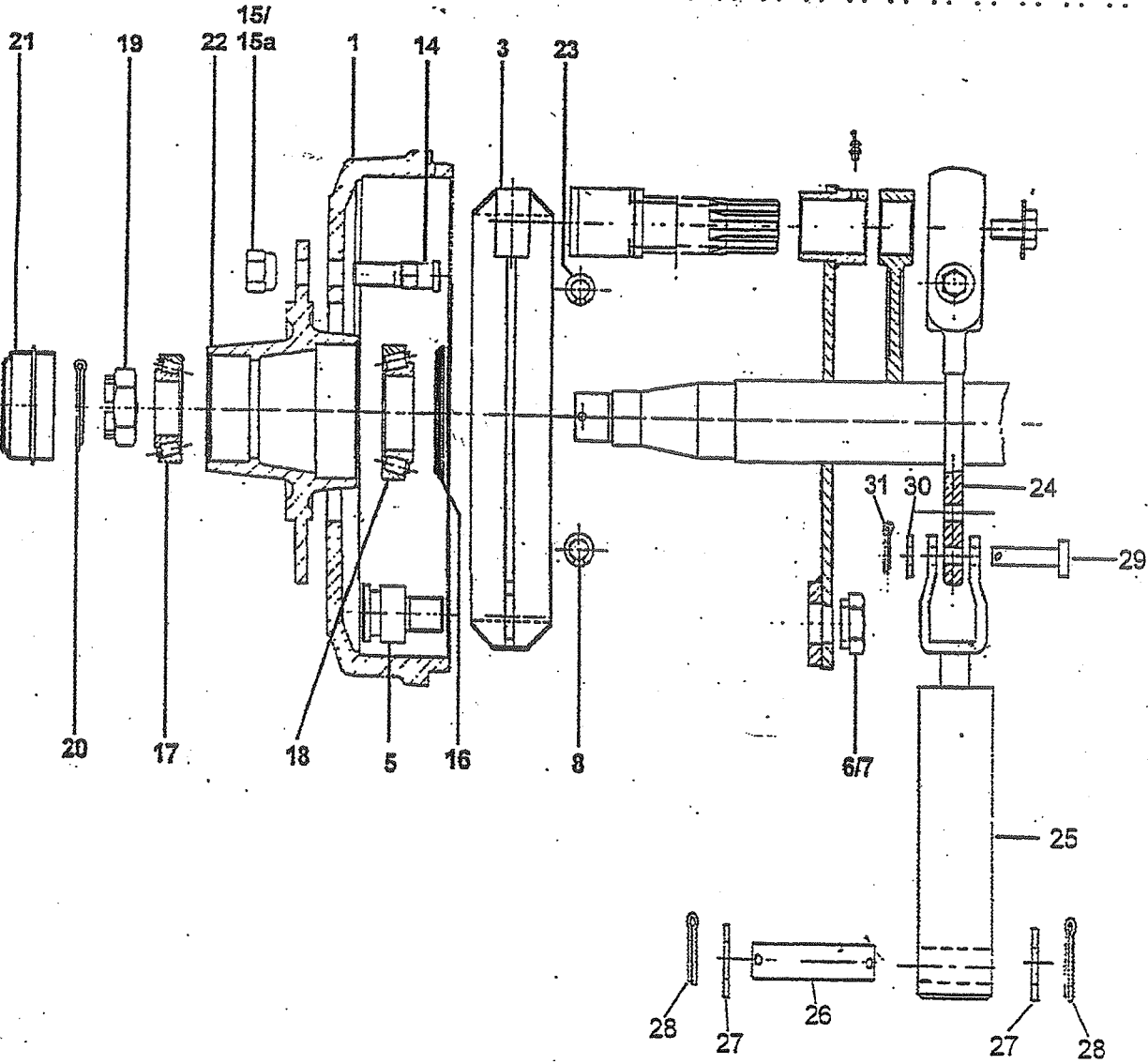
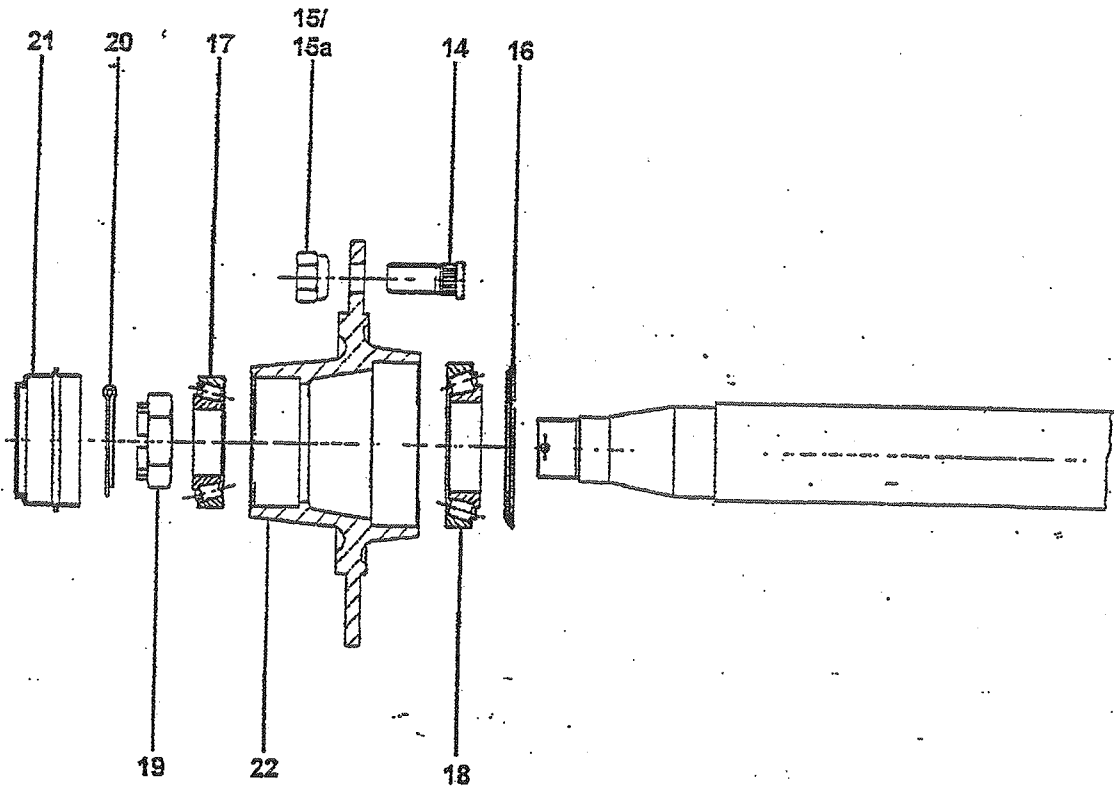


21. TRACK FOLLOWING WHEEL AXLE RAPIDE 130 AND 160.

MEELOPEND GESTUURDE WIELAS RAPIDE 130 EN 160

Drawing no. 975.0014

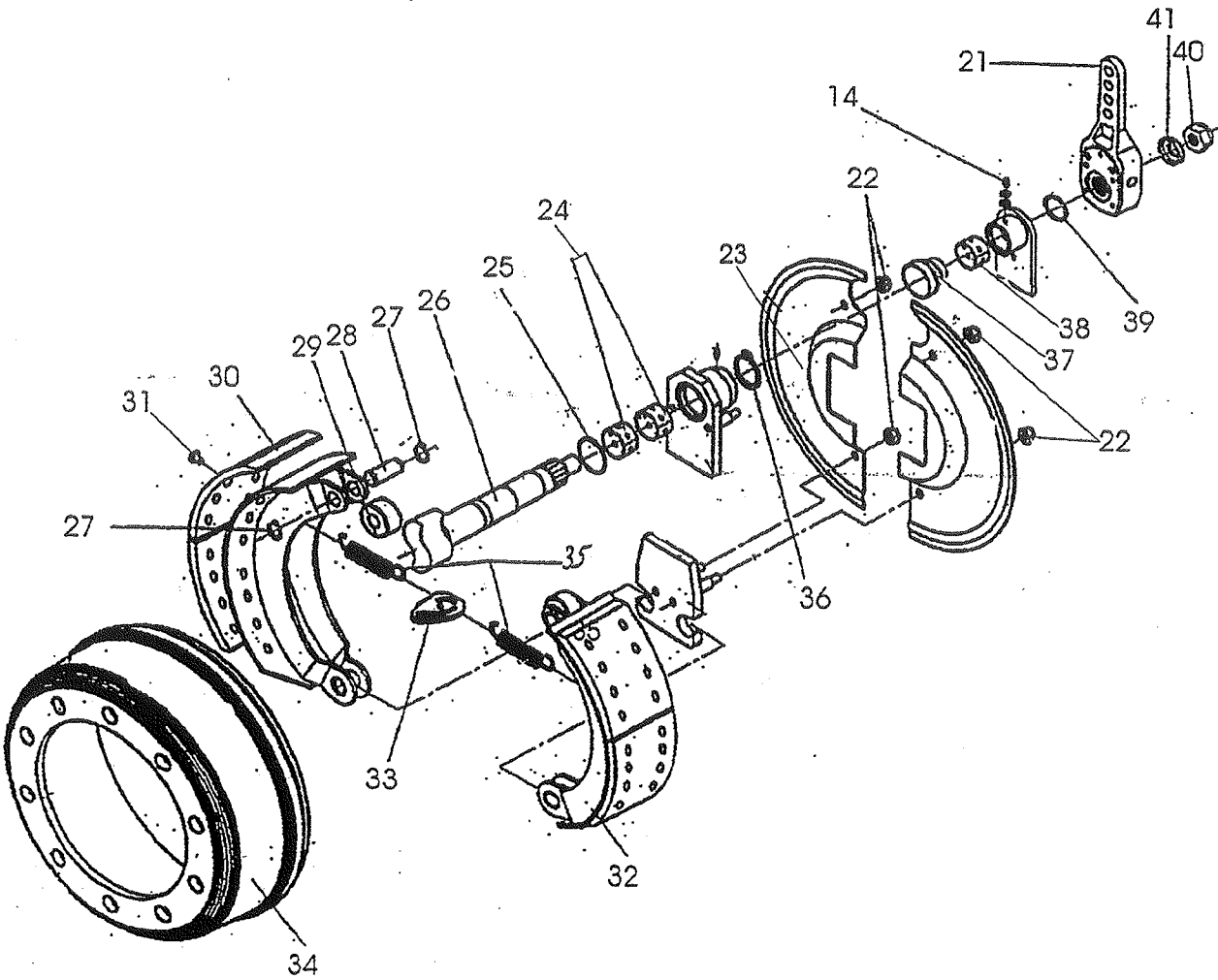
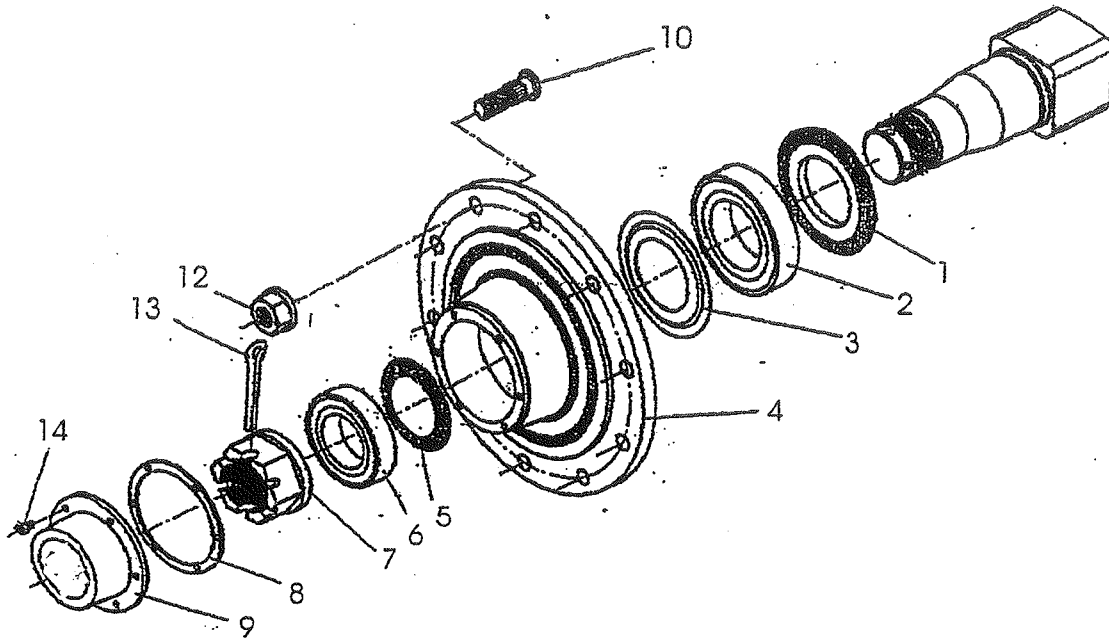
<i>Fig.</i>	<i>SR-no.</i>	<i>Omschrijving</i>	<i>Description</i>
1	435.0800	Volg-as 10898 Rap.130	Track-following axle 10898 Rap.130
	432.0070	Volg-as 1110 Rap.160	Track-following axle 1110 Rap.160
4	452.0405	Dopmoer M27×3	Capped nut M27×3
5	306.0368	Moer M27×3	Nut M27×3
7	452.0404	Arreteercilinder	Stop-motion cylinder
8	301.0781	Bout M20×130	Bolt M20×130
10	306.0314	Borgmoer M20	Locking nut M20
16	301.0795	Bout M20×190	Bolt M20×190
17	452.0396	Draadeind M30×3,5L (incl. 17a)	Threaded end M30×3,5L (incl. 17a)
17a	452.0398	Elastische lagerbus 20 / 38	Elastic bearing bush 20 / 38
18	306.0361	Moer M30×3,5L	Nut M30×3,5
19	452.0397	Draadeind M30×3,5R (incl. 17a)	Treaded end M30×3,5R (incl. 17a)
20	306.0362	Moer M30×3,5R	Nut M30×3,5R
21	452.0406	Schokdemper	Shock absorber
22	301.0771	Bout M20×90	Bolt M20×90
24	452.0395	Sluitdeksel	Cover
25	301.0806	Bout M8×20	Bolt M8×20
26	452.0391	Lagerbus	Bearing bush
27	452.0390	Fusee-as	Swivel pin shaft
28	452.0393	Axiaalschijf	Axial disc
29	304.0115	Stelschroef M16×30	Setting screw M16×30
30	306.0702	Moer M16	Nut M16
31	452.0394	Vulschijf	Filler disc
32	452.0393	Axiaalschijf	Axial disc
33	301.0835	Bout M8×30	Bolt M8×30
34	-	Asstomp (zie blz. 49) Rap.130	Shaft end (See page 49)
	-	Asstomp (zie blz. 51) Rap.160	Shaft end (See page 51)



22. WHEEL AXLES ADR RAPIDE 130 (TYPE 898 BRAKE 400X80)

WIELASSEN ADR RAPIDE 130 (TYPE 898 REM 400X80)

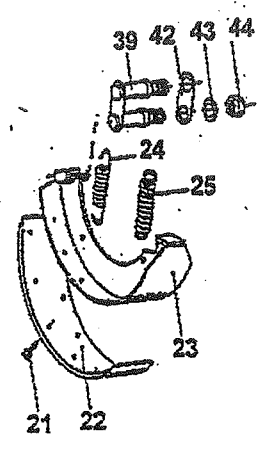
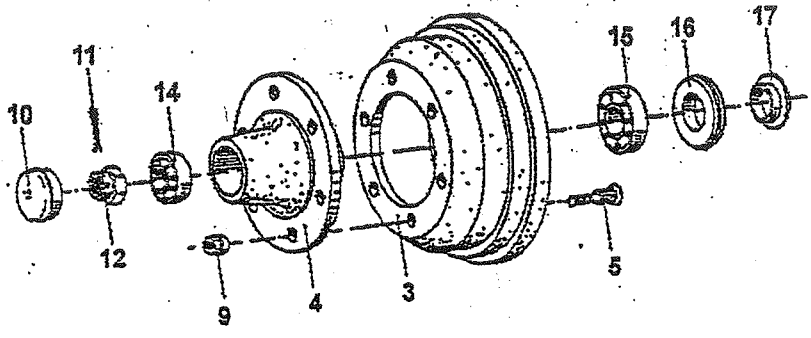
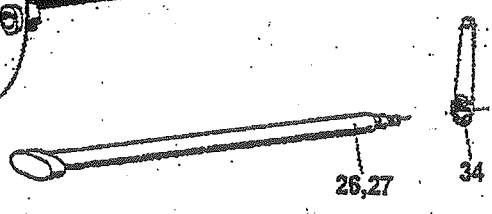
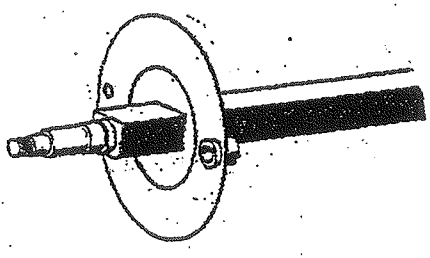
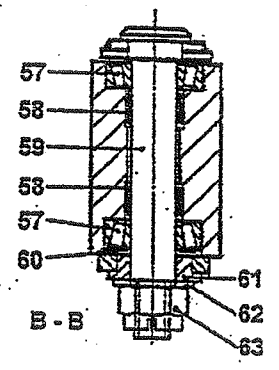
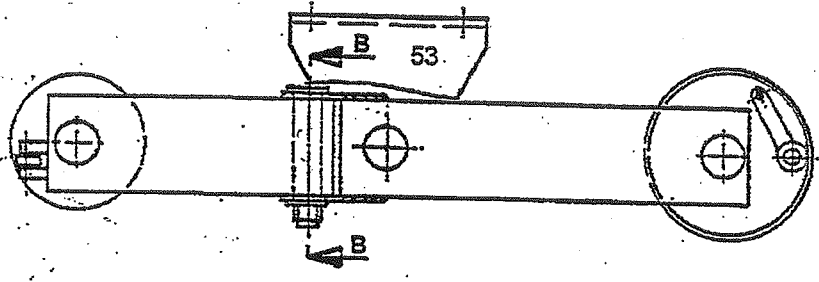
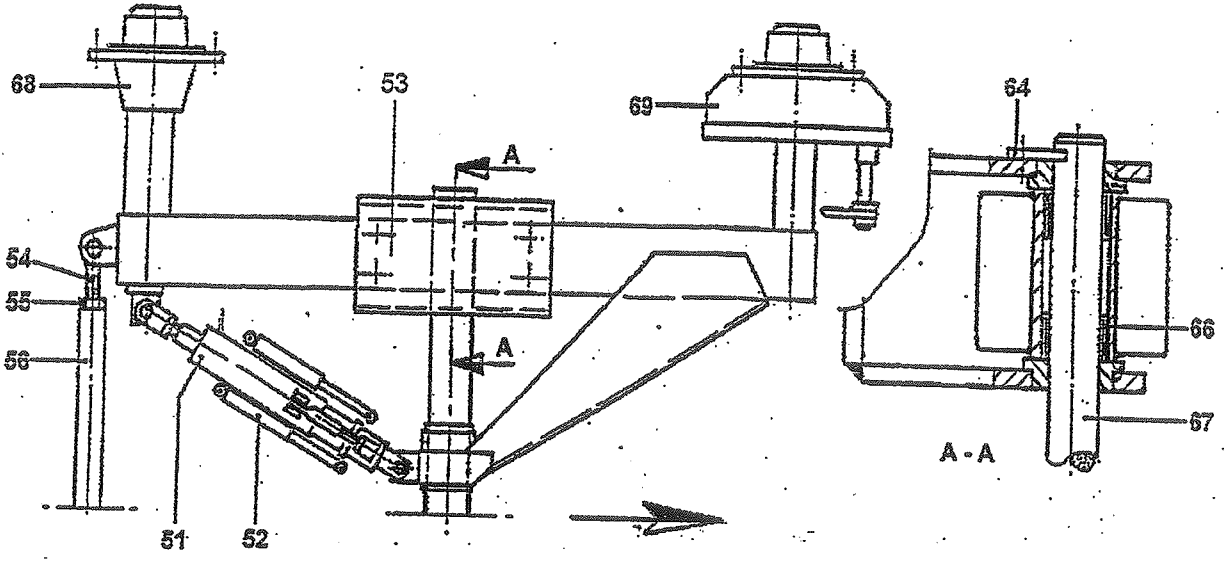
<i>Fig.</i>	<i>SR-no.</i>	<i>Omschrijving</i>	<i>Description</i>
1	452.0326	Remtrommel 400×80	Brake drum 400×80
3	452.0338	Remschoen 400×80	Brake shoe 400×80
6	316.0918	Veerring 24 mm	Spring ring 24 mm
7	306.0717	Moer M24×1,5	Nut M24×1,5
8	452.0343	Trekveer 400×80	Draw spring 400×80
14	450.0629	Wielbout M20×1,5 L=70	Wheel bolt M20×1,5 L=70
15	450.0630	Wielmoer M20×1,5	Wheel nut M20×1,5
15a	450.0631	Bolle veerring 20 mm	Spring ring 20 mm
16	452.0366	Dichtring	Sealing ring
17	401.0268	Kegellager buiten 32214	Cone bearing outside 32214
18	401.0250	Kegellager binnen 32217	Cone bearing inside 32217
19	452.0359	Kroonmoer M48×1,5/80	Castle nut M48×1,5/80
20	375.0142	Splitpen 4×80	Split 4×80
21	452.0356	Naafdop Ø125 - schroefbevestiging	Hub cap Ø125 – screw fastening
22	452.0317	Wielnaaf	Radnabe
23	452.0343	Trekveer	Draw spring
24	452.0385	Remhefboom 32	Brake lever 32
25	452.0402	Remcilinder 25mm	Brake cylinder
26	920.0673	Scharnierpen 20mm	Pivoting pin 20mm
27	316.0725	Sluitring A21	Washer A21
28	375.0118	Splitpen 5×30	Split pin 5×30
29	349.0076	Pen 14mm	Pin 14mm
30	316.0741	Sluitring A15	Washer A15
31	375.0122	Splitpen 3×25	Split 3×25



23. Wheel axles Colaert ((Typ EUR 1110-412S) Brake 406x120) RAPIDE 160

WIELASSEN COLAERT ((TYPE EUR 1110-412S) REM 406x120) RAPIDE 160

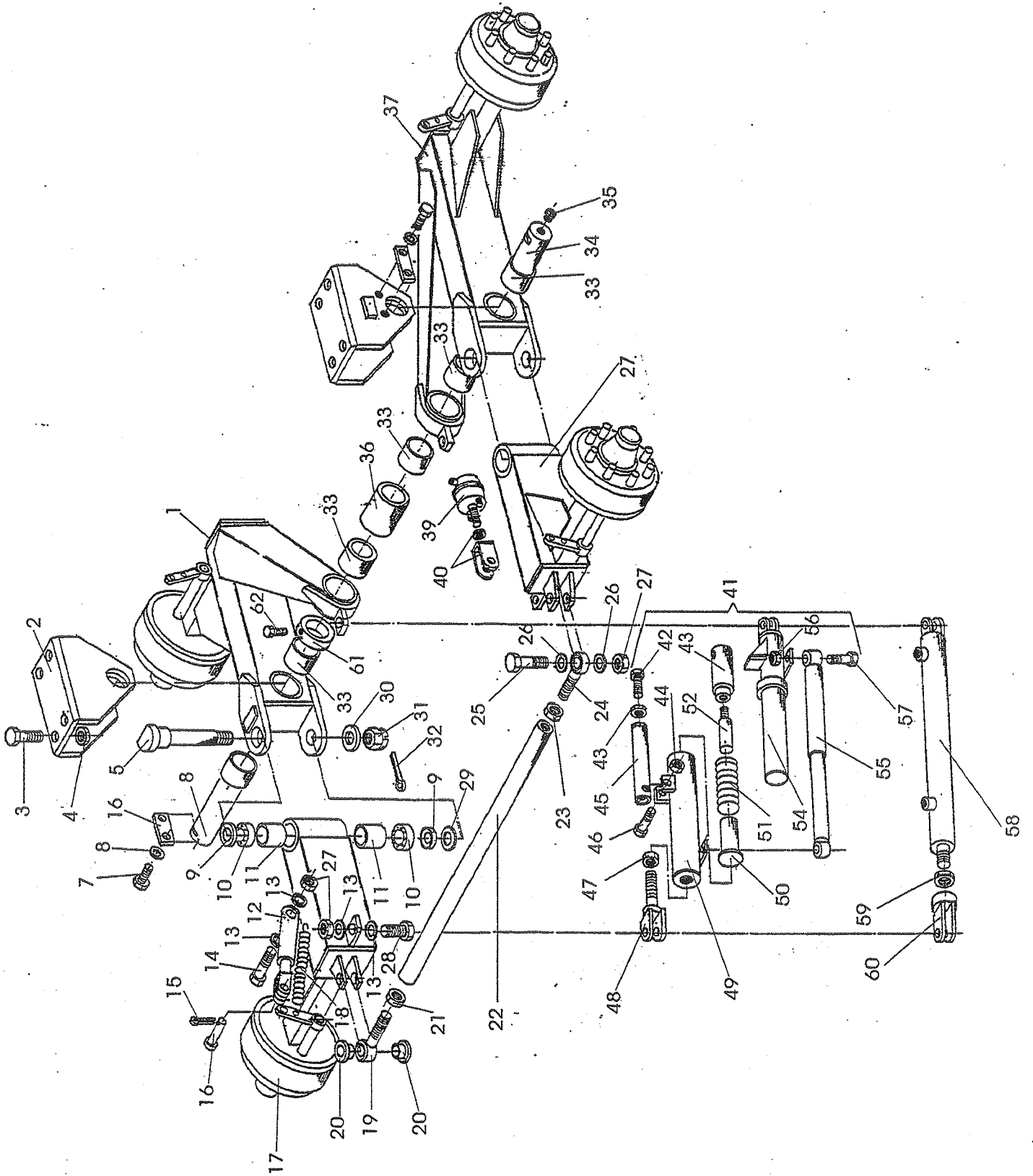
<i>Fig.</i>	<i>SR-no.</i>	<i>Omschrijving</i>	<i>Description</i>
1	452.0445	Stuurring met afdichting	Supporting ring with sealing
2	401.0403	Kegellager 33118	Cone bearing 33118
3	452.0527	Dichtschiif	Sealing disc
4	452.0525	Wielnaaf	Wheel hub
5	452.0526	Dichtschiif	Sealing disc
6	401.0402	Kegellager 33215	Cone bearing 33215
7	452.0451	Kroonmoer M70x2-90R	Castle nut M70x2-90R
8	452.0482	Pakkingring	Seal ring
9	452.0529	Naafdop 130-Colaert	Hub cap Colaert
10	452.0335	Wielbout M22x1,5-96	Wheel bolt M22x1,5-96
12	452.0050	Wielmoer M22x1,5-KC	Wheel nut M22x1,5-KC
13	375.0127	Splitpen 10x100	Split pin 10x100
14	302.0606	Cilinderkopbout M8x12	Cylinder head bolt M8x12
21	452.0507	Remhefboom GS-10Z	Brake lever GS-10Z
22	306.0306	Borgmoer M10	Locking nut M10
23	452.0492	Set afdichtplaten 110	Set of seal plate 110
24	452.0493	Glijlager	Bearing bush
25	452.0494	O-ring	O-ring
26	452.0xxx	Remas	Brake shaft
27	313.0102	Borgring A-20	Locking ring A-20
28	452.0490	Rolpen	Roller pin
29	452.0491	Rol	Roller
30	452.0486	Remvoering 406x120	Brake lining 406x120
31	452.0487	Klinknagel	Rivet
32	452.0484	Remschoen met voering 406x120	Brake shoe with lining 406x120
33	452.0489	Veerspanstuk	Spring clamp
34	452.0329	Remtrommel 406x120	Brake drum 406x120
35	452.0488	Trekveer	Draw spring
36	313.0126	Borgring A-20	Locking ring A-20
37	452.0022	Manchet	Sealing bush
38	452.0497	Glijlager	Bearing bush
39	452.0524	Draadring	Wire ring
40	313.0106	Borgring A-25	Locking ring A-25
41	316.0727	Sluitring 26mm	Washer 26mm



24 TANDEM BPW TAL (RAPIDE 130)

TANDEM BPW TAL (RAPIDE 130)

<i>Fig.</i>	<i>SR-nr.</i>	<i>Omschrijving</i>	<i>Benennung</i>
1	435.0921	Pendel tandem TAL 18/1300-8/2	Rocker suspension TAL 18/1300-8/2
3	450.0650	Remtrommel 408/8	Brake drum 408/8
4	450.0834	Wielnaaf 8008-1	Wheel hub 8008-1
5	450.0835	Wielbout M20×1,5×54 Ongeremd	Wheel bolt M20×1,5×52
	450.0620	Wielbout M20×1,5×60 Geremd	Wheel bolt M20×1,5×64
9	450.0630	Wielmoer M20×1,5	Wheel nut M20×1,5
9a	450.0631	Bolle veerring 20 mm	Conical springring 20 mm
10	450.0840	Naafdop ø120	Hub cap ø120
11	375.0139	Splitpen 8×90	Split pin 8×90
12	450.0839	Kroonmoer M52×2	Castle nut M52×2
14	401.0195	Kegellager buiten 32213	Cone bearing 32213
15	401.0196	Kegellager binnen 32215	Cone bearing 32215
16	452.0052	Vetkeerring 30215	Oil catcher 32215
17	452.0012	Steunring 30215	Supporting ring 30215
23	450.0530	Remschoen 408	Brake shoe with lining 408
24	450.0274	Trekveer licht	Draw spring light
25	450.0531	Trekveer zwaar	Draw spring heavy
39	452.0043	Rembout-dubbel	Brake bolt
42	452.0044	Klemplaat	Clamp
43	316.0918	Veerring 24 mm	Spring ring 24 mm
44	306.0320	Moer M24×1,5	Nut M24×1,5
51	452.0100	Arreteercilinder	Stop cylinder
52	452.0101	Schokdemper	Shock absorber
53	452.0110	Pendelbok	Oscillatingconsole
54a	401.0266	Stangkop GAKFR 20 PW	Rod end GAKFR 20 PW
54b	401.0265	Stangkop GAKFL 20 PW	Rod end GAKFL 20 PW
55a	306.0369	Lage moer M20×1,5 li.	Nut M20×1,5 li.
55b	306.0370	Lage moer M20×1,5 re.	Nut M20×1,5 re.
57	450.0298	Kegellager 32211	Cone bearing 32211
58	452.0103	Lagerbus	Slide bearing
59	452.0104	Scharnieras	Hinge bolt
60	452.0105	Nilosring	Nilos ring
61	452.0106	Steunring	Supporting ring
62	452.0107	Schijf	Disc
63	306.0317	Kroonmoer M36×1,5	Castle nut M36x1,5
64	435.0908	Borgplaat	Locking plate
66	450.0950	Glijlager	Slide bearing
67	452.0111	Pendelas	Swing axle
68	-	Asstomp Ongeremd	Schaft end unbraket
69	-	Asstomp Geremd	Schaft end braket

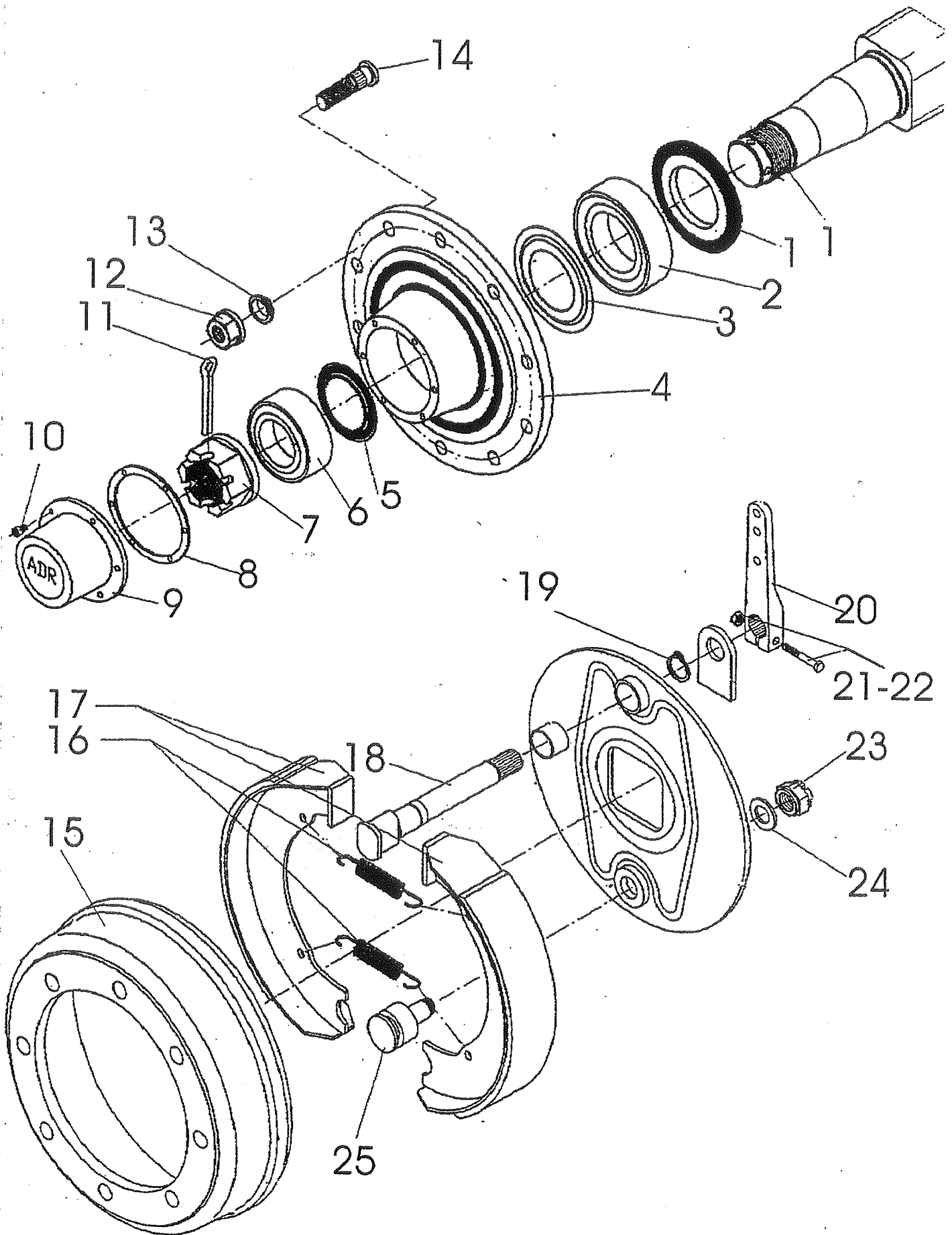


25. TANDEM ADR-TAL (RAPIDE 160)

TANDEM ADR-TAL (RAPIDE 160)

Tekeningnummer: 975.0028

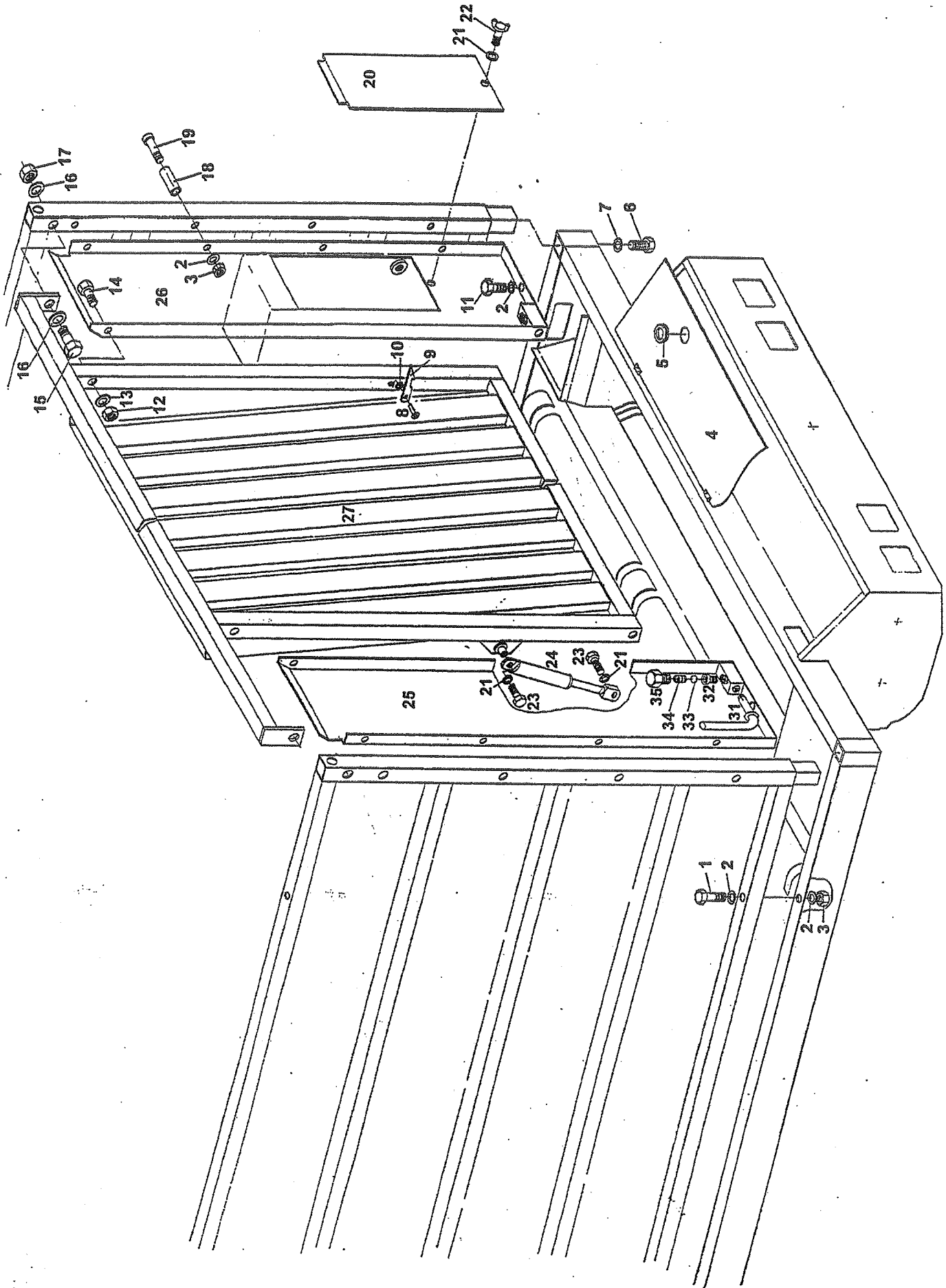
Fig.	SR-nr.	Omschrijving	Benennung
1	961.0460	Pendelarm li.	Swing bracket left
2	960.0830	Pendelbok	Oscillating console
3	301.0790	Bout M24x2-75	Bolt M24x2-75
4	306.0333	Borgmoer M24x2	Locking nut M24x2
5	960.0835	Scharnieras	Hinge bolt
6	912.0835	Borgstrip	Locking plate
7	301.0825	Bout M16x30	Bolt M16x30
8	316.0707	Sluitring A17	Washer A17
9	452.0112	Nilosring 33113	Nilosring 33113
10	401.0157	Kegellager 33113	Cone bearing 33113
11	402.0161	Glijlager	Slide bearing
12	355.0754	Remcilinder	Brake cylinder
13	316.0725	Sluitring A21	Washer A21
14	301.0774	Bout M20x100	Bolt M20x100
15	375.0122	Splitpen 3x25	Split pin 3x25
16	349.0076	Pen	Pin
17	961.0462	Pendel-scharnierarm li.	Oscillating swing bracket left.
18	331.0103	Trekveer	Draw spring
19	401.0280	Stangkop GAKFL 30 PW	Rod end GAKFL 30 PW
	401.0282	Kogelgewrichtslager GE 30 PW	Ball bearing GE 30 PW
20	926.0639	Vulbus	Filling ring
21	306.0377	Lage moer M30x2	Nut M30x2
22	926.0640	Spoorstang 22-M30x2	Spurstange 22-M30x2
23	306.0378	Lage moer M30x2	Mutter M30x2
24	401.0281	Stangkop GAKFR 30 PW	Rod end GAKFR 30PW
	401.0282	Kogelgewrichtslager GE 30PW	Ball bearing GE 30 PW
25	301.0774	Bout M20x100	Bolt M20x100
26	316.0725	Sluitring A21	Washer A21
27	306.0314	Borgmoer M20	Locking nut M20
28	301.0771	Bout M20x90	Bolt M20x90
29	403.0133	Axiaalschijf AS6590	Axial disc AS6590
30	921.0228	Sluitplaat	Disc
31	306.0372	Kroonmoer M48x1,5	Castle nut M48x1,5
32	375.0129	Splitpen 8x90	Split pin 8x90
33	402.0160	Lagerbus 9575	Slide bearing 9575
34	921.0262	Pendelas	Swing axle
35	342.0103	Smeernippel	Grease nipple
36	926.0389	Tussenbus L289	Bush
37	961.0461	Pendekarm re.	Swing bracket right.
38	961.0463	Pendel-scharnierarm re.	Oscillating swing bracket right.
39	460.xxxx	Luchtremcilinder	Brake cylinder
40	460.0226	Gaffelset	Eye joint link
41	953.0696	Arretere cilinder cpl.	Stop cylinder.
42	301.0760	Bout M20x70	Bolt M20x70
43	306.0706	Moer M20	Nut M20
44	306.0303	Borgmoer M16	Locking nut M16
45	960.0872	Vergrendeling	Interlocking
46	301.0759	Bout M16x80	Bolt M16x80
47	306.0714	Moer M30	Nut M30
48	960.0876	Gaffelstuk M30	Joint link M30
49	960.0874	Buitenbuis	Outer tube
50	960.0875	Veergeleider	Spring guide bush
51	331.0225	Drukveer	Compression spring
52	921.0236	Aanslagas	Stop axle
53	355.0748	Hydr.cilinder	Hydr. cylinder
54	960.0873	Binnenbuis	Inner tube
55	452.0101	Schokdemper	Shock absorber
56	306.0302	Borgmer M12	Locking nut M12
57	301.0735	Bout M12x55	Bolt M12x55
58	355.0763	Hydr.cilinder	Hydr.cylinder
58a	545.0814	Set afdichtingen	Set of seals
59	306.0714	Moer M30	Nut M30
60	961.0256	Gaffel	Joint link
61	926.0304	Opsluitring	Ring
62	301.0807	Bout M12x25	Bot M12x25
		Asstomp (zie blz.61)	Schaft end (See page xx)



26. SHAFT END ADR (TYP EUR1110 BRAKE 400×80) RAPIDE 160

ASSTOMP ADR ((TYPE EUR 1110) REM 400×80) RAPIDE 160

<i>Fig.</i>	<i>SR-no.</i>	<i>Omschrijving</i>	<i>Description</i>
1	452.0445	Steunring met afdichting	Supporting ring with sealing
2	401.0403	Kegellager 33118	Cone bearing 33118
3	452.0527	Dichtschiif	Sealing disc
4	452.0525	Wielnaaf	Wheel hub
5	452.0526	Dichtschiif	Sealing disc
6	4010402	Kegellager 33215	Cone bearing 33215
7	452.0451	Kroonmoer M70x2-90R	Castle M70x2-90R
8	452.0482	Pakkingring	Seal ring
9	452.0528	Naaafdop 130-ADR	Hub cap ADR
10	302.0606	Cilinderkopbout M8x12	Cylinder head bolt M8x12
11	375.0127	Splitpen 10x100	Split pin 10x100
12	452.0050	Wielmoer M22x1,5-KC	Wheel nut M22x1,5-KC
13	450.0735	Bolle veerring 22mm	Cone spring ring 22mm
14	452.0335	Wielbout M22×1,5-96	Wheel bolt M22×1,5-96
15	452.0328	Remtrommel 400x80-10	Brake drum 400x80-10
16	452.0340	Trekveer	Draw spring
17	452.0338	Remschoen met voering 400x80	Brake shoe with lining 400x80
18	452.xxxx	Remas	Brake shaft
19	313.0112	Borgring A-38	Locking ring A-38
20	452.0521	Remhefboom	Brake lever
21	301.0724	Bout M10x55	Bolt M10x55
22	306.0306	Borgmoer M10	Locking nut M10
23	306.0717	Moer M24x1,5	Nut M24x1,5
24	316.0918	Veerring 24mm	Spring washer 24mm
25	452.0333	Rembout 408-M24x1,5	Brake bolt 408-M24x1,5

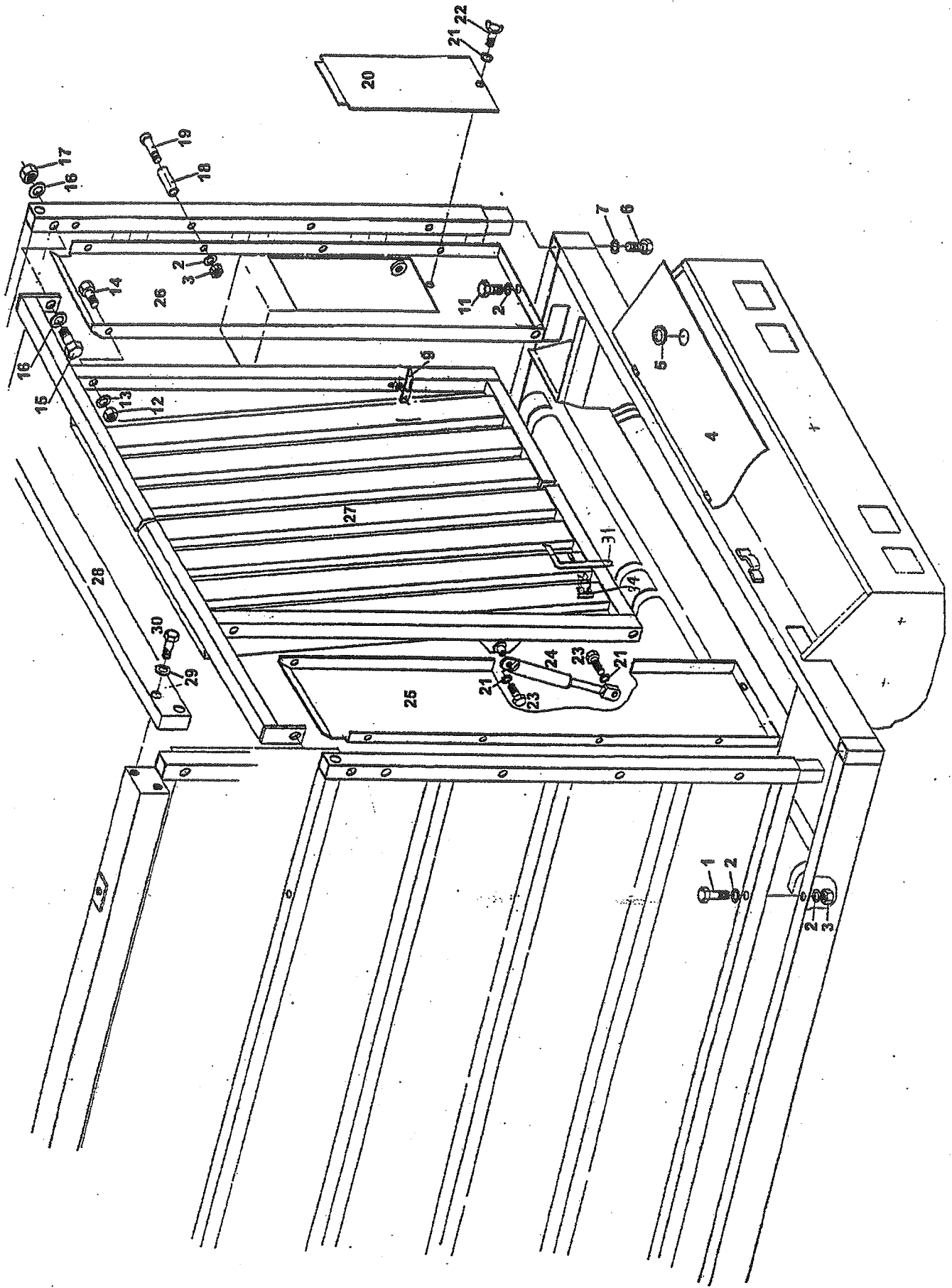


27. FRONT BOARD RAPIDE 100

VOORBORD RAPIDE 100

Drawing no. 975.0001

<i>Fig.</i>	<i>SR-no.</i>	<i>Omschrijving</i>	<i>Description</i>
1	301.0739	Bout M10×90	Bolt M10×90
2	316.0705	Sluitring A10,5	Washer A10,5
3	306.0306	Borgmoer M10	Locking nut M10
4	935.0434	Deksel 25	Protective cover 25
5	376.0141	Tulle	Tulle
6	301.0836	Bout M16×45	Bolt M16×45
7	316.0901	Veerring 16 mm	Spring washer 16 mm
9	371.0294	Tuimelsluiting	Rocker fastening
11	301.0809	Bout M10×20	Bolt M10×20
12	306.0303	Borgmoer M16	Locking nut M16
13	316.0707	Sluitring A17	Washer A17
14	301.0759	Bout M16×80	Bolt M16×80
15	301.0771	Bout M20×90	Bolt M20×90
16	316.0725	Sluitring A21	Washer A21
17	306.0314	Borgmoer M20	Locking nut M20
18	925.0393	Busje L=37	Bush L=37
19	302.0603	Cilinderkopbout M10×60	Cylinder head bolt M10×60
20	936.0917	Sluitplaat Bo/LS	Locking plate Bo/LS
21	316.0703	Sluitring A8,4	Washer A8,4
22	349.0063	Vleugelknop M8×20	Wing nut M8×20
23	301.0750	Bout M8×35	Bolt M8×35
24	333.0001	Gasdrukveer	Gas pressure spring
25	967.0607	Voorwand-zijstuk rechts	Front board side piece right
26	961.0103	Voorwand-zijstuk links	Front board side piece left
27	967.0602	Voorbord 2216	Front board 2216
31	967.0142	Grendelpen	Locking pin
32	302.0620	Cilinderkopbout M10×30	Cylinder head bolt M10×30
33	349.0028	Kogel Ø10	Ball Ø10
34	331.0202	Borgveer	Locking spring
35	900.0115	Grendelbout M20×25	Locking bolt M20×25

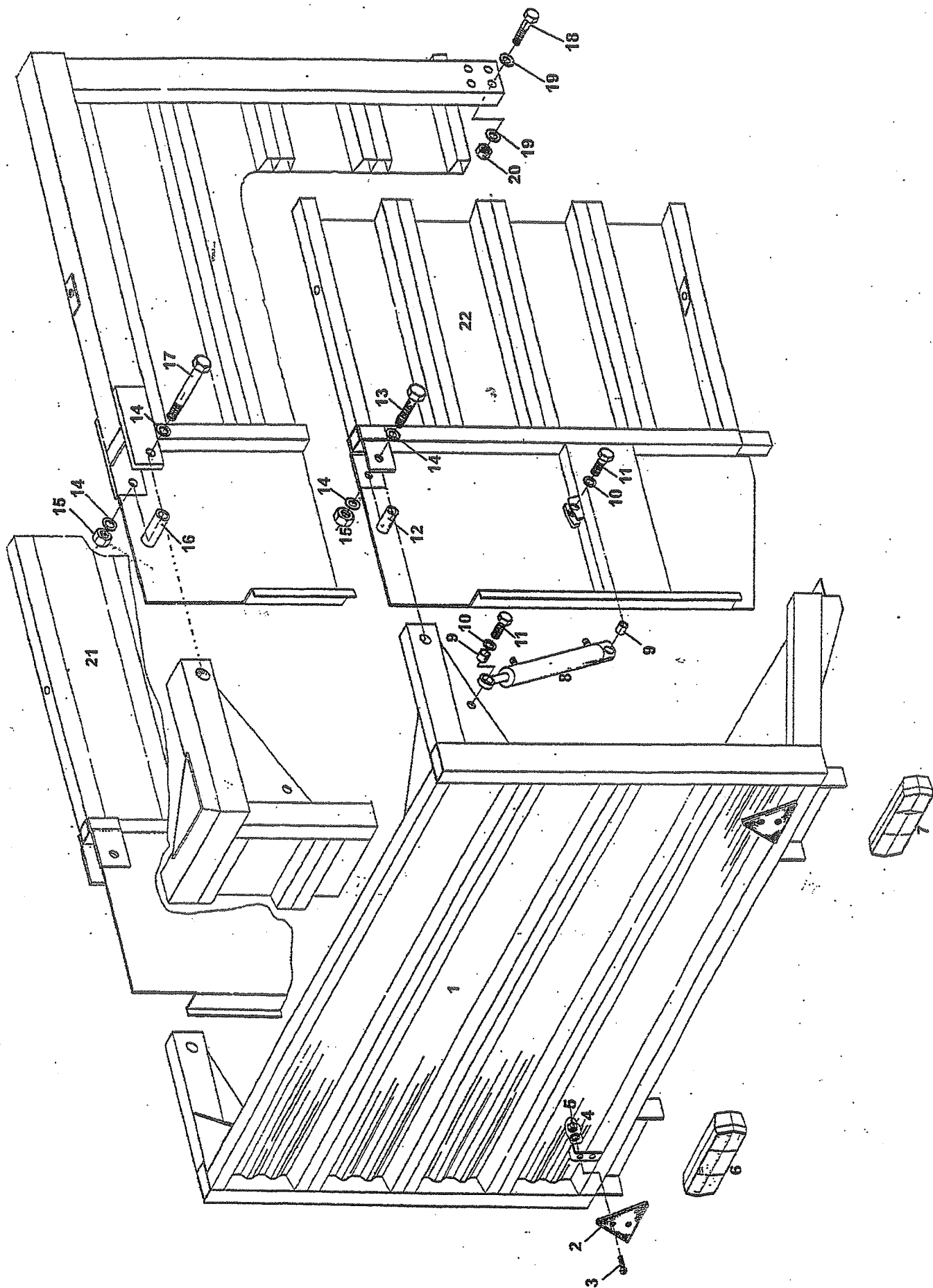


28. FRONT BOARD RAPIDE 130 AND 160

VOORBORD RAPIDE 130 EN 160

Drawing no. 975.0001

<i>Fig.</i>	<i>SR-no.</i>	<i>Omschrijving</i>	<i>Description</i>
1	301.0739	Bout M10×90	Bolt M10×90
2	316.0705	Sluitring A10,5	Washer A10,5
3	306.0306	Borgmoer M10	Locking nut M10
4	935.0434	Deksel 25	Protective cover 25
5	376.0141	Tulle	Tulle
6	301.0836	Bout M16×45 (achter)	Bolt M16×45 (rear)
	301.0787	Bout M16×200 (voor)	Bolt M16×200 (front)
7	316.0901	Veerring 16 mm	Spring washer 16 mm
9	371.0294	Tuimelsluiting	Rocker fastening
11	301.0809	Bout M10×20	Bolt M10×20
12	306.0303	Borgmoer M16	Locking nut M16
13	316.0707	Sluitring A17	Washer A17
14	301.0759	Bout M16×80	Bolt M16×80
15	301.0771	Bout M20×90	Bolt M20×90
16	316.0725	Sluitring A21	Washer A21
17	306.0314	Borgmoer M20	Locking nut M20
18	925.0393	Busje L37	Bush L37
19	302.0603	Cilinderkopbout M10×60	Cylinder head bolt M10×60
20	936.0917	Sluitplaat Bo/LS	Locking plate Bo/LS
21	316.0703	Sluitring A8,4	Washer A8,4
22	349.0063	Vleugelknop M8×20	Wing nut M8×20
23	301.0750	Bout M8×35	Bolt M8×35
24	333.0001	Gasdrukveer	Gas pressure spring
25	961.0107	Voorwand-zijstuk rechts	Front board- side piece right
26	961.0106	Voorwand-zijstuk links	Front board- side piece left
27	961.0273	Voorbord 2220	Front board 2220
28	969.1015	Bovenrand 22	Top edge 22
29	316.0702	Sluitring A13	Washer A13
30	301.0785	Bout M12×80	Bolt M12×80
31	961.0119	Grendelpen	Locking pin
34	331.0202	Borgveer	Locking spring

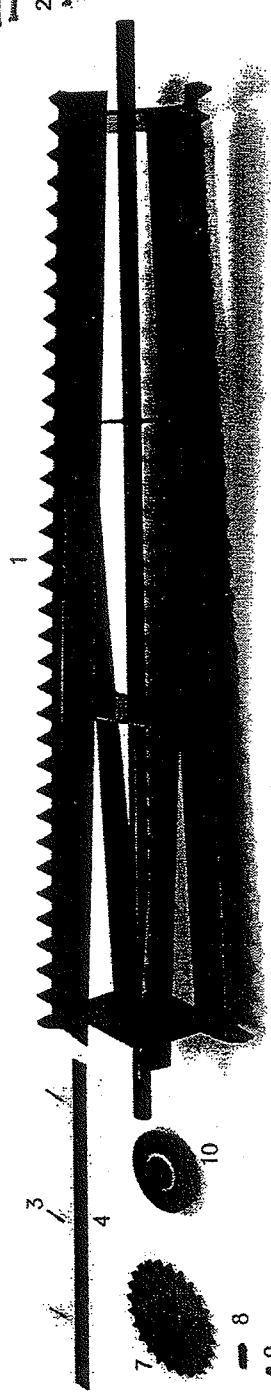
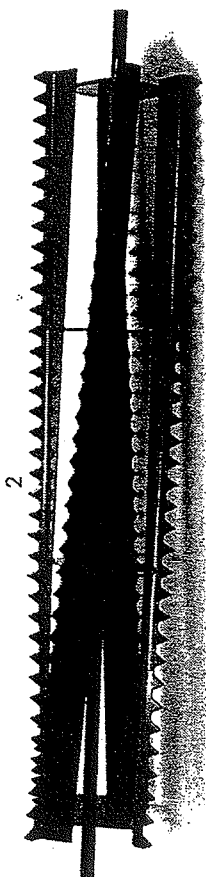
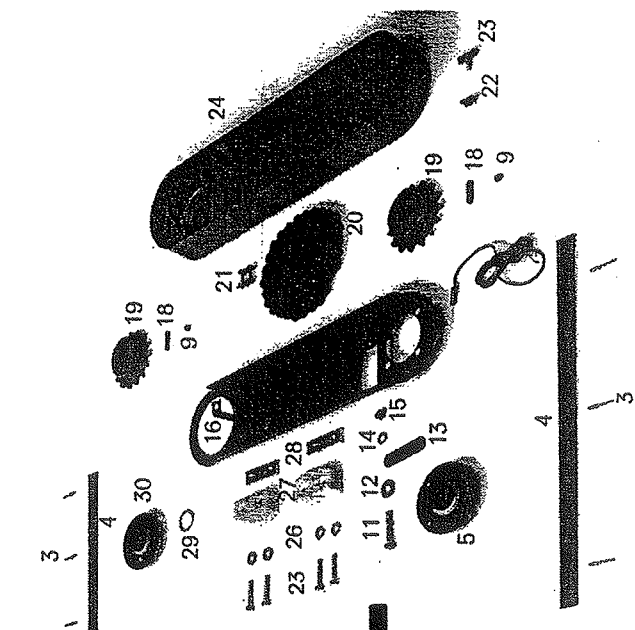


29. TAILGATE

ACHTERKLEP

Drawing no. 975.0002

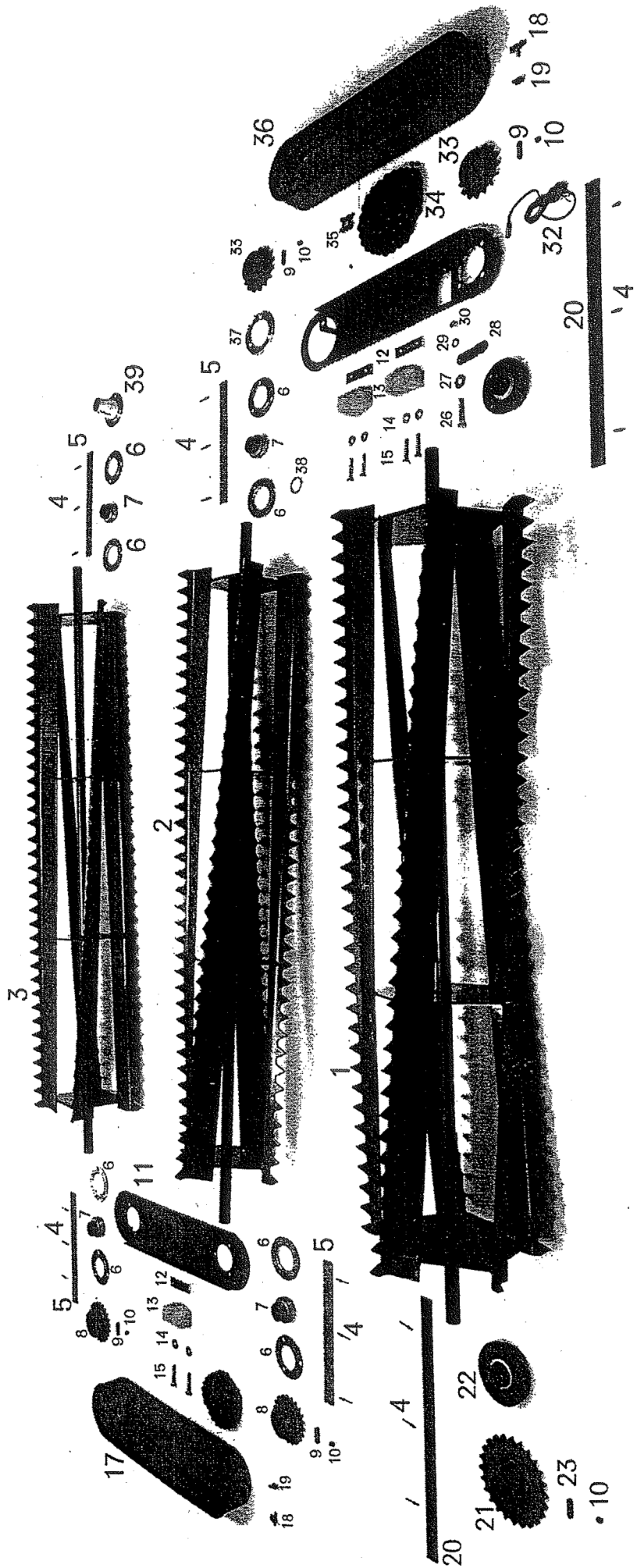
<i>Fig.</i>	<i>SR-no.</i>	<i>Omschrijving</i>	<i>Description</i>
1	968.0009	Achterklep Rap.100	Tailgate Rap.100
	968.0431	Achterklep Rap.130 en 160	Tailgate Rap.130 and 160
2	482.0201	Driehoek-reflector	Reflecting warning triangle
3	303.0937	Cilinderkopschroef M5×12	Cylinder head screw M5×12
4	316.0730	Sluitring A5,3	Washer A5,3
5	306.0335	Borgmoer M5	Locking nut M5
6	480.0026	Achterlamp links	Rear light left
7	480.0027	Achterlamp rechts	Rear light right
7a	482.0104	Glas voor achterlicht	Glass for rear light
8	355.0439	Hydr. Cilinder (incl. 8a en 8b) Rap.100	Hydr.Cylinder (incl. 8a und 8b) Rap.100
	355.0450	Hydr. Cilinder (incl. 8a en 8b) Rap.130 en 160	Hydr.Cylinder (incl.8a and 8b) Rap.130and160
8a	402.0129	Glijlager 20/25	Slide bearing 20/25
8b	454.0812	Set afdichtingen t.b.v. 8	Set of seals for 8
9	925.0711	Lagerbusje	Bearing bush
10	316.0707	Sluitring A17	Washer A17
11	301.0737	Bout M16×50	Bolt M16×50
12	925.0651	Scharnierbusje Rap.100	Knuckle L=54 Rap.100
13	301.0762	Bout M16×90 Rap.100	Bolt M16×90 Rap.100
14	316.0707	Sluitring A17	Washer A17
15	306.0702	Moer M16	Nut M16
16	925.0922	Scharnierbusje L=101 Rap.130 en 160	Knuckle L=101 Rap.130 and 160
17	301.0738	Bout M16×150 Rap.130 en 160	Bolt M16×150 Rap.130 and 160
18	301.0785	Bout M12×80	Bolt M12×80
19	316.0701	Sluitring A13	Washer A13
20	306.0302	Borgmoer M12	Locking nut M12
21	968.0005	Zijbord 100-S links	Side board 100-S left
	968.0740	Zijbord 100-SW links	Side board 100-SW left
	951.0003	Zijbord 130-S links	Side board 130-S left
	951.0021	Zijbord 130-SW links	Side board 130-SW left
	951.0007	Zijbord 160-S links	Side board 160-S left
	951.0023	Zijbord 160-SW links	Side board 160-SW left
22	968.0006	Zijbord 100-S rechts	Side board 100-S right
	968.0741	Zijbord 100-SW rechts	Side board 100-SW right
	951.0004	Zijbord 130-S rechts	Side board 130-S right
	951.0022	Zijbord 130-SW rechts	Side board 130-SW right
	951.0008	Zijbord 160-S rechts	Side board 160-S right
	951.0024	Zijbord 160-SW rechts	Side board 160-SW right



30. DISTRIBUTION BEATERS RAPIDE 100-SW .

VERDEEL-WALSEN RAPIDE 100-SW

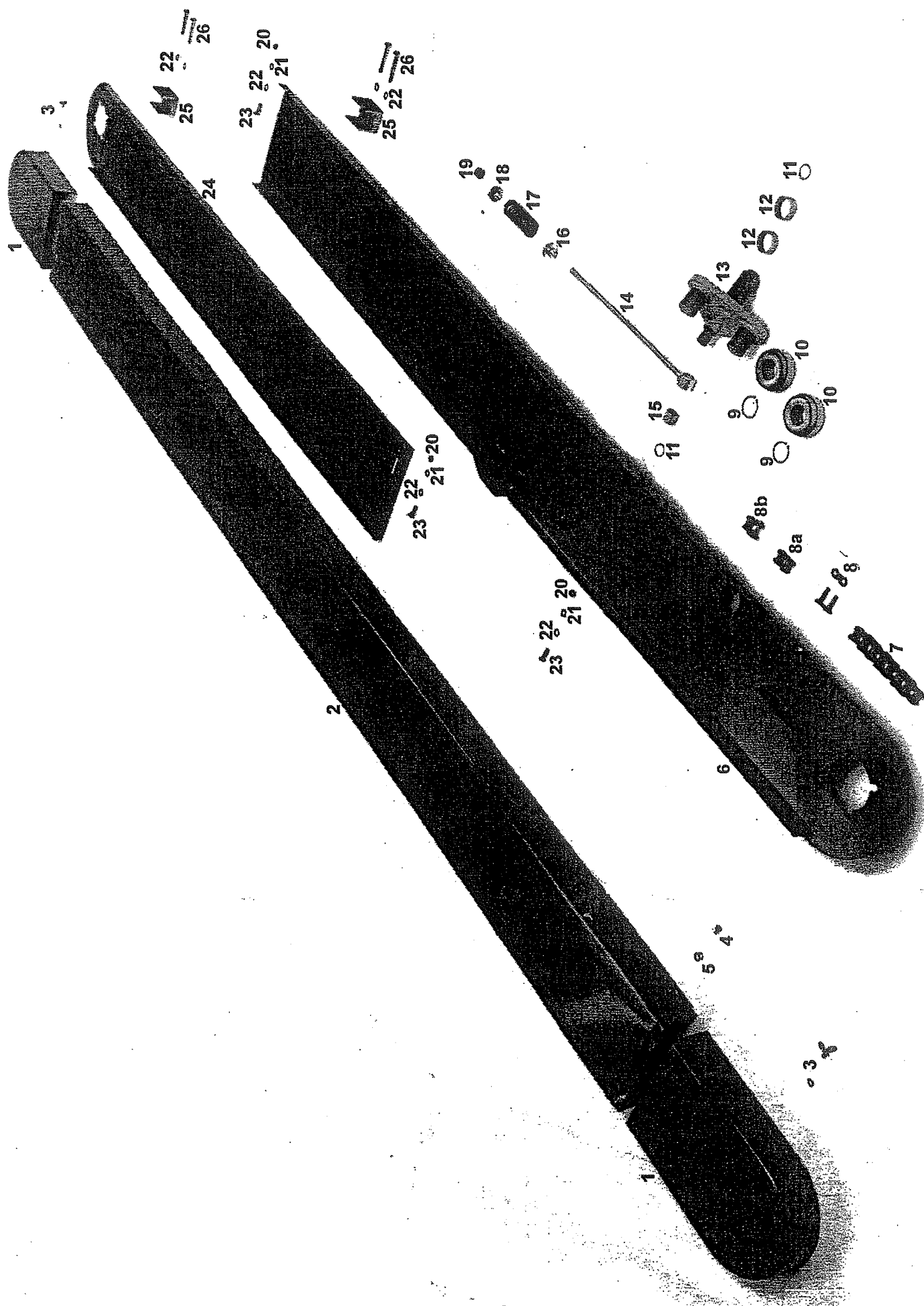
<i>Fig.</i>	<i>SR-no.</i>	<i>Omschrijving</i>	<i>Description</i>
1	967.0425	Verdeelwals onder	Distribution beater, lower
2	967.0400	Verdeelwals boven	Distribution beater, top
3	309.0233	Popnagel gegroefd	Pop rivet, grooved
4	914.0024	Afdichtstrip L=400	Sealing strip L=400
5	401.0204	Flenslager RME 35	Flange bearing RME 35
6	900.0092	Beschermkapje	Protective cover
7	353.0403	Kettingwiel 1" Z=24	Chain wheel 1" Z=24
8	315.0123	Spie 12x8x45	Feater key 12x8x45
9	304.0105	Stelschroef M10	Adjusting screw M10
10	401.0198	Flenslager RME-40	Flange bearing RME-40
11	301.0775	Bout M12x70	Bolt M12x70
12	316.0701	Sluitplaat A13	Washer A13
13	332.0005	Schotelveer	Cup spring
14	316.0702	Sluitring A13	Washer A13
15	306.0302	Borgmoer M12	Locking nut M12
16	960.0615	Lagerplaat met eindstop	Bearing plate with stop-motion
17	484.0115	Sensor	Sensor
18	315.0104	Spie 10x8x40	Key 10x8x40
19	353.0173	Kettingwiel 1" Z=15	Chain wheel 1" Z=15
20	356.0146	Ketting 1"-61	Chain 1"-61
21	356.0143	Verbindschalm 1"x17,02	Joining link 1"x17.02
22	306.0359	Plaatmoer M8 zelfborgend	Self-locking nut M8
23	301.0801	Bout M8x16	Bolt M8x16
24	375.0502	Beschermkap	Protective cover
25	301.0726	Bout M10x60	Bolt M10x60
26	316.0719	Sluitplaat 10,5 mm	Washer 10,5 mm
27	353.0202	Spanblok 50	Tension block 50
28	912.0671	Spanstrip TB-10	Tensioning strip
28a	302.0935	Spanbout M10x140	Tension bolt M10x140
29	934.0155	Ring 51/36	Ring 51/36
30	900.0103	Flenslager RME35 met rand	Flange bearing with edge RME35



31. DISTRIBUTION BEATERS RAPIDE 100-V; 130-SW(V) AND 160-SW(V) .

VERDEEL-WALSEN RAPIDE 100-V; 130-SW(V) EN 160-SW(V)

<i>Fig.</i>	<i>SR-no.</i>	<i>Omschrijving</i>	<i>Description</i>
1	967.0399	Verdeelwals onder Rap.V	Distribution beater, lower Rap.V
	967.0425	Verdeelwals onder Rap. SW	Distribution beater, lower Rap.SW
2	967.0400	Verdeelwals midden	Distribution beater, middle
3	967.0400	Verdeelwals boven	Distribution beater, top
4	309.0233	Popnagel gegroefd	Pop rivet, grooved
5	281.0021	Afdichtstrip L=400	Sealing strip L=400
6	401.0134	Lagerflens 35-3gts Rap.100V	Bearing flange 35-3hls Rap. 100V
6+7	401.0204	Flenslager RME 35 Rap.SW(V)	Flange bearing RME 35 Rap.SW(V)
7	401.0178	Flenslager GE35 Rap.100V	Flange bearing GE35 Rap. 100V
8	353.0149	Kettingwiel ¾" Z=21/35 Rap. 100V	Chain wheel ¾" Z=21/35 Rap. 100V
	353.0173	Kettingwiel 1" Z=15/35 Rap. 130 en 160	Chain wheel 1" Z=15/35 Rap. 130 and 160
9	315.0104	Spie 10×8×40	Feather key 10×8×40
10	304.0105	Stelschroef M10	Set screw M10
11	960.0618	Lagerplaat II-III Rap. 100V	Bearing plate II-III Rap. 100V
	961.0610	Lagerplaat II-III Rap. 130 en 160	Bearing plate II-III Rap. 130 and 160
12	912.0671	Spanstrip TB-10	Tensioning strip TB-10
12a	302.0935	Spanbout M10×140	Tension bolt M10×140
13	353.0202	Spanblok 50	Tension block 50
14	316.0719	Ring 10,5 mm	Ring 10,5 mm
15	301.0726	Bout M10×60	Bolt M10×60
16	356.0156	Ketting ¾"-81 Rap. 100V	Chain ¾"-81 Rap. 100V
	356.0146	Ketting 1"-61 Rap. 130 en 160	Chain 1"-61 Rap. 130 and 160
17	375.0502	Beschermkap	Protective cover
18	301.0801	Bout M8×16	Bolt M8×16
19	306.0359	Plaatmoer M8 zelfborgend	Self-locking nut M8
20	281.0021	Afdichtstrip L=400 Rap.SW	Sealing strip L=400 Rap. SW
	281.0022	Afdichtstrip L=670 Rap.100V	Sealing strip L=670 Rap.100V
21	353.0457	Kettingwiel 1" Z=24 met breekbout	Chain wheel 1" Z=24 with shearing bolt
	301.0215	Breekbout M12×45	Shearing bolt M12×45
22	401.0198	Flenslager RME-40	Flange bearing RME-40
23	315.0123	Spie 12×8×45	Feather key 12×8×45
25	401.0204	Flenslager RME 35	Flange bearing RME 35
26	301.0775	Bout M12×70	Bolt M12×70
27	316.0701	Sluitring A13	Sealing ring A13
28	332.0005	Schotelveer	Cup spring
29	316.0702	Sluitring	Sealing ring
30	306.0302	Borgmoer M12	Locking nut M12
31	960.0615	Lagerplaat met eindstop	Bearing plate with stop
32	484.0115	Sensor	Sensor
33	353.0173	Kettingwiel 1" Z=15	Chain wheel 1" Z=15
34	356.0146	Ketting 1"-61	Chain 1"-61
35	356.0143	Verbindingsschalm 1"×17.02	Joining link 1"×17.02
36	375.0502	Beschermkap	Protective cover
37	934.0100	Lagerflens Rap.100V	Bearing flange Rap.100V
	900.0103	Flenslager RME35 met rand Rap.SW	Flange bearing with edge RME35 Rap.SW
38	934.0155	Ring 51/36	Ring 51/36
39	900.0082	Beschermkapje Rap.100V	Protective cover Rap.100V
	900.0092	Beschermkapje Rap.SW	Protective cover Rap.SW



3 X

5 4

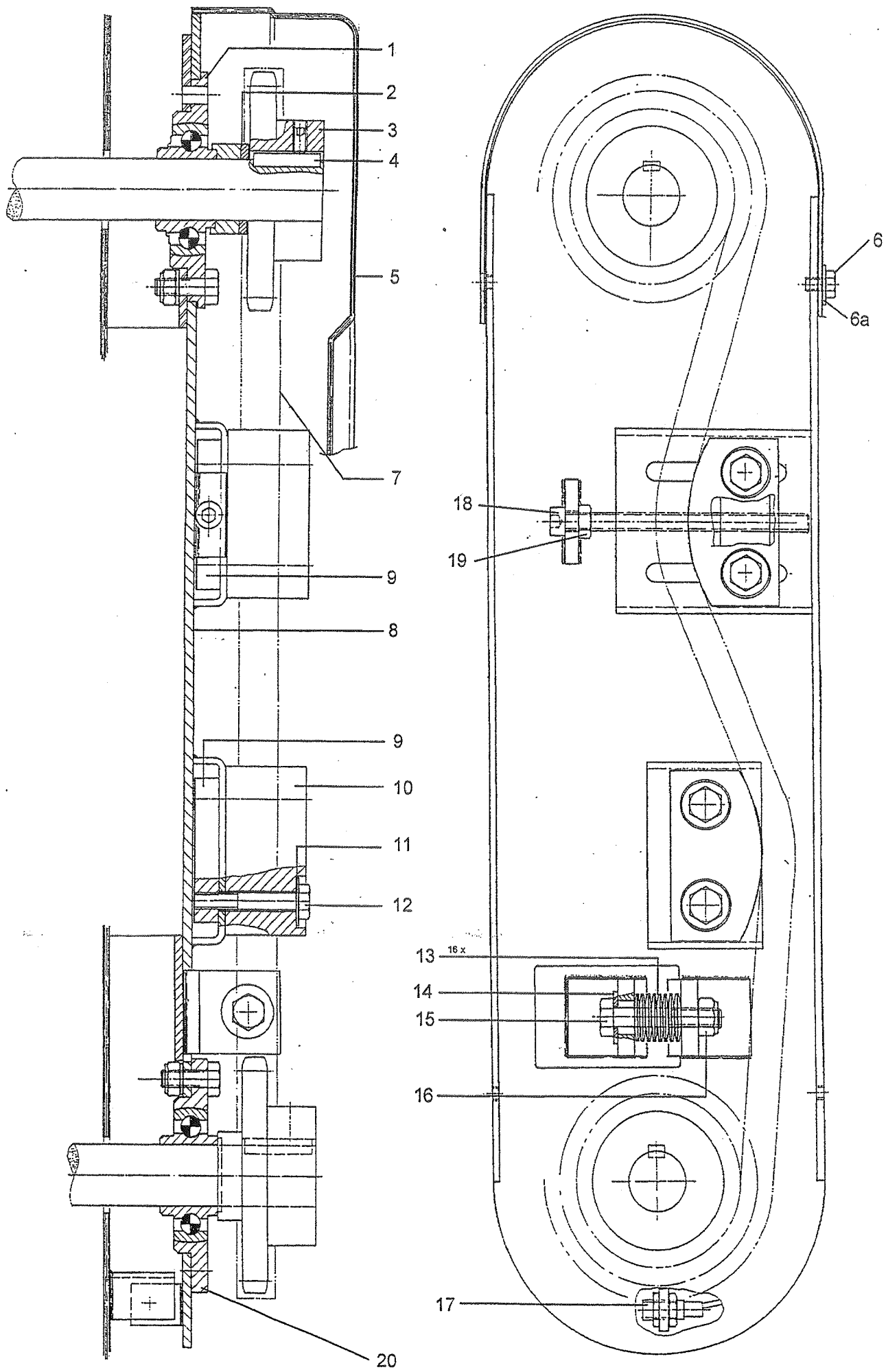
E 8 8'

7

32. BEATER DRIVE WITH CHAIN TENSIONER

WALSAANDRIJVING MET KETTINGSPANNER

<i>Fig.</i>	<i>SR-no.</i>	<i>Omschrijving</i>	<i>Description</i>
1	930.0596	Eindkap HVS-Rap.	Cover, end HVS-Rap.
2	967.0150	Middenkap Rap. 100-SW	Cover, middle Rap. 100-SW
	967.0149	Middenkap Rap. 100-V	Cover, middle 100-V
	961.0121	Middenkap voor Rap. 130	Cover, middle front Rap. 130
	936.0111	Middenkap achter Rap. 130 en 160	Cover, middle rear Rap. 130 and 160
	961.0733	Middenkap voor Rap. 160	Cover, middle front Rap. 160
4	301.0801	Bout M8×16	Bolt M8×16
5	316.0722	Sluitplaat A8,4	Washer A8,4
6	967.0152	Lagerplaat voor Rap. 100-SW en 100-V	Bearing plate front Rap. 100-SW and 100-V
	961.0120	Lagerplaat voor Rap. 130	Bearing plate front Rap. 130
	961.0198	Lagerplaat voor Rap. 160	Bearing plate front Rap. 160
7	356.0172	Ketting 1"×17.02-16B	Charin 1"×17,02-16B
8	356.0143	Verbindingsschalm 1"×17.02	Joining link 1"×17.02
9	313.0114	Buitenborgring A-40	Locking ring A-40
10	922.0011	Kettinggeleiderol	Chain guide roller
11	313.0106	Buitenborgring A-25	Locking ring A-25
12	402.0131	Glijlager 40/20	Slide bearing 40/20
13	967.0095	Kettingspanner	Chain tensioner
14	967.0096	Spanbout	Tension bolt
15	402.0132	Glijlager 25/25	Slide bearing 25/25
16	925.0690	Veerkop	Spring head
17	331.0219	Drukveer	Pressure spring
18	925.0691	Veerschijf	Spring disc
19	306.0303	Borgmoer M16	Locking nut M16
20	306.0701	Moer M10	Nut M10
21	316.0906	Veerring 10 mm	Spring washer 10 mm
22	316.0705	Sluitring A10,5	Washer A10,5
23	301.0811	Bout M10×30	Bolt M10×30
24	967.0155	Lagerplaat achter Rap. 100-SW	Bearing plate back Rap. 100-SW
	967.0154	Lagerplaat achter Rap. 100-V	Bearing plate back Rap. 100-V
	960.0793	Lagerplaat achter Rap. 130 en 160	Bearing plate back Rap. 130 and 160
25	922.0012	Glijblok	Sliding block
26	301.0719	Bout M10×70	Bolt M10×70

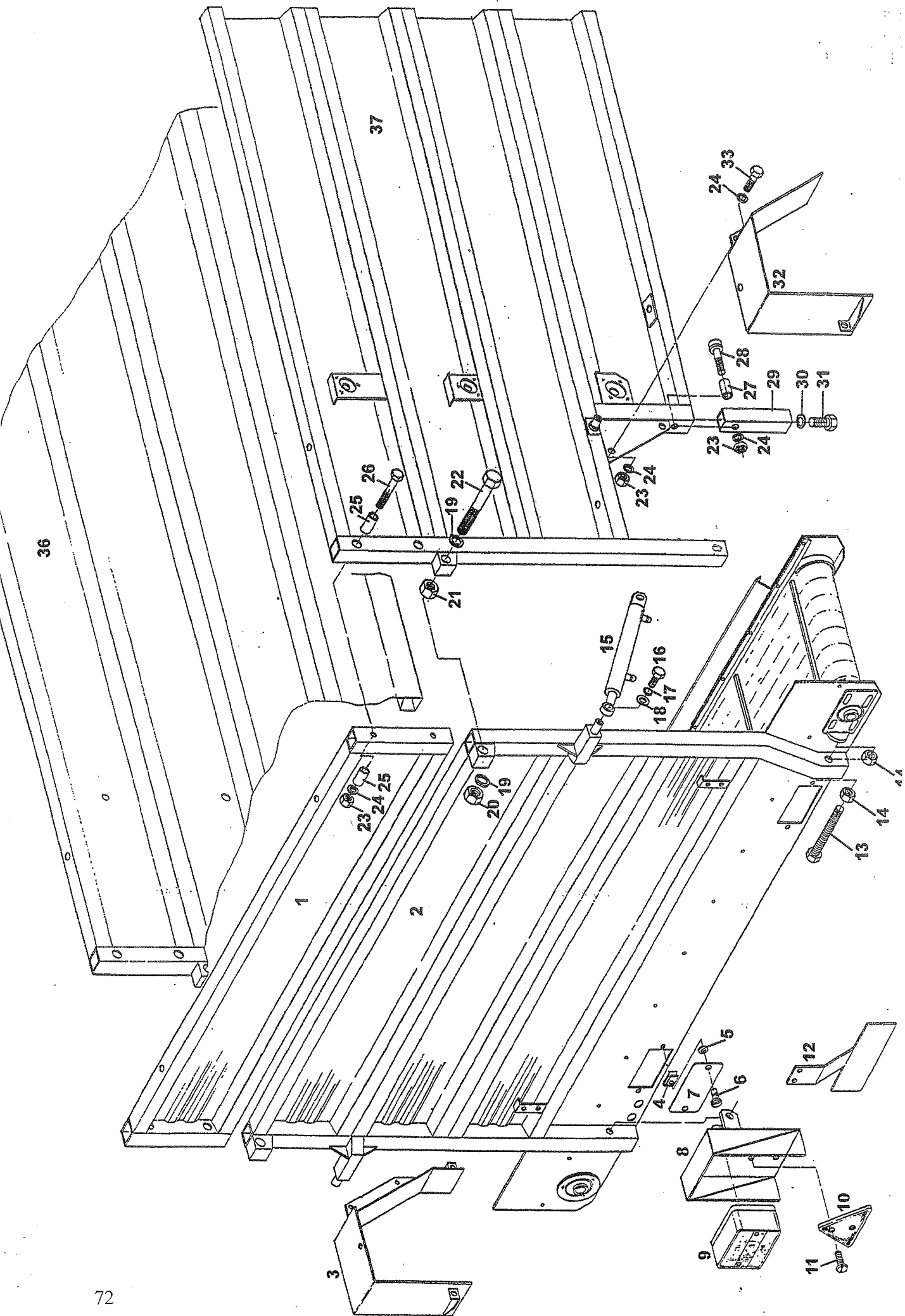


33. BEATER PROTECTIVE DEVICE

WALSBEVEILIGING

Drawing: 975.0022

<i>Fig.</i>	<i>SR-no.</i>	<i>Omschrijving</i>	<i>Description</i>
1	900.0103	Flenslager RME 35 met rand	Flange bearing with edge RME 35
2	934.0155	Ring 51/36	Ring 51/36
3	353.0173	Kettingwiel 1"×17,02-15	Chain wheel 1"×17,02-15
4	315.0104	Inlegspie 10×8×40	Key 10×8×40
5	375.0502	Beschermkap Rap.100	Protective cover Rap.100
6	301.0801	Bout M8×16	Bolt M8×16
6a	316.0722	Sluitplaat A8,4	Washer A8,4
7	356.0146	Ketting 1"-61 Rap. 100 en 130	Chain 1"-61 Rap. 100 and 130
8	960.0615	Lagerplaat 580-ES	Bearing plate 580-ES
9	912.0671	Spanstrip kettingspanner TB-10	Tensioning strip for chain tensioner TB-10
10	353.0202	Spanblok 50	Tension block 50
11	316.0719	Sluitplaat A10,5	Washer A10,5
12	301.0726	Bout M10×60	Bolt M10×60
13	332.0005	Schotelveer 28×12.2×1	Cup spring 28×12.2×1
14	316.0701	Sluitring A13	Washer A13
15	301.0775	Bout M12×70	Bolt M12×70
16	306.0302	Borgmoer M12	Locking nut M12
17	484.0115	Sensor	Sensor
18	302.0935	Spanbout M10×140	Bolt M10×140
19	306.0701	Moer M10	Nut M10
20	401.0204	Flenslager RME35	Flange bearing RME35

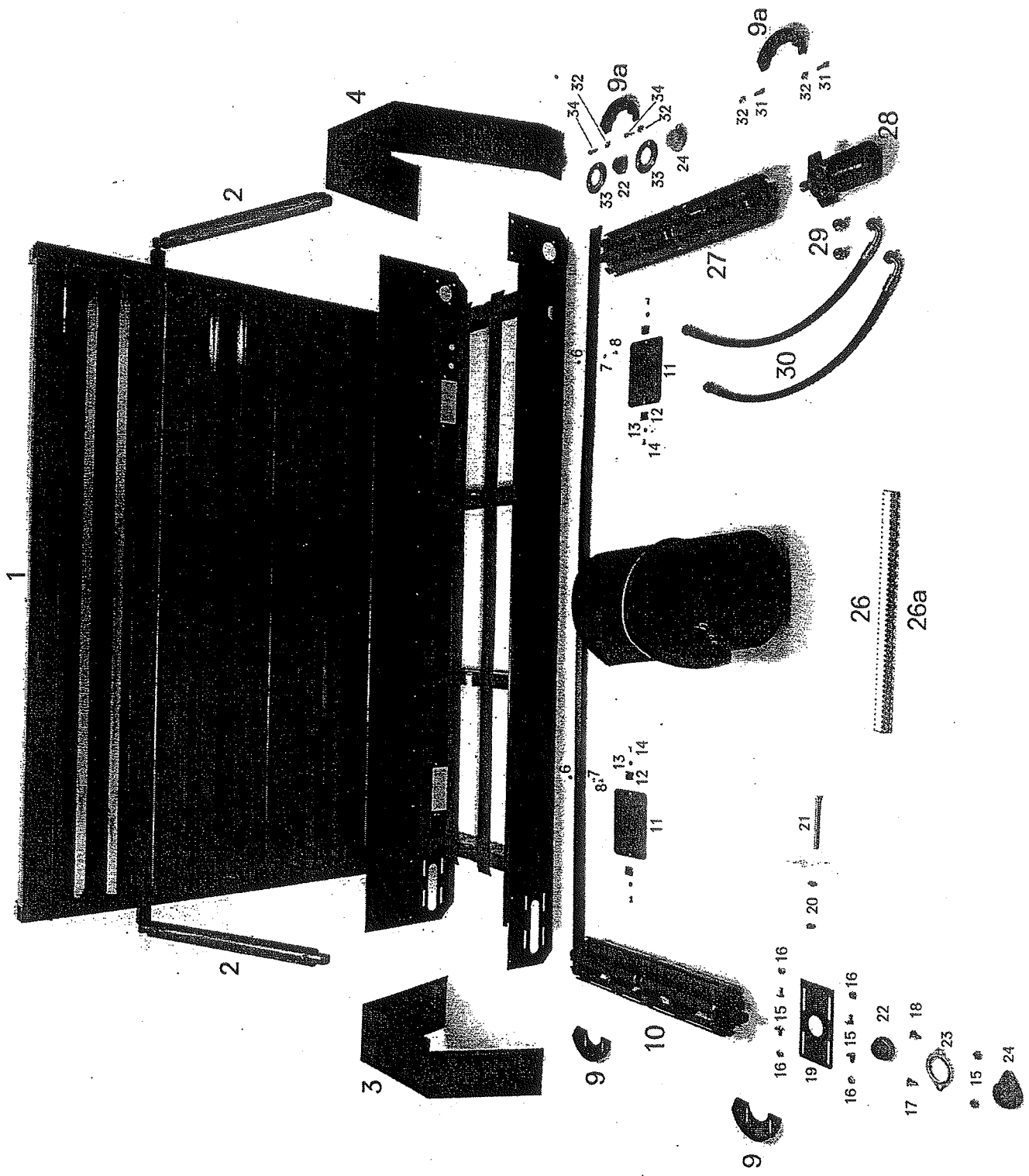


34. TAILGATE WITH CROSS CONVEYOR

ACHTERKLEP MET DWARSTRANSPORTEUR

Drawing no. 975.0003

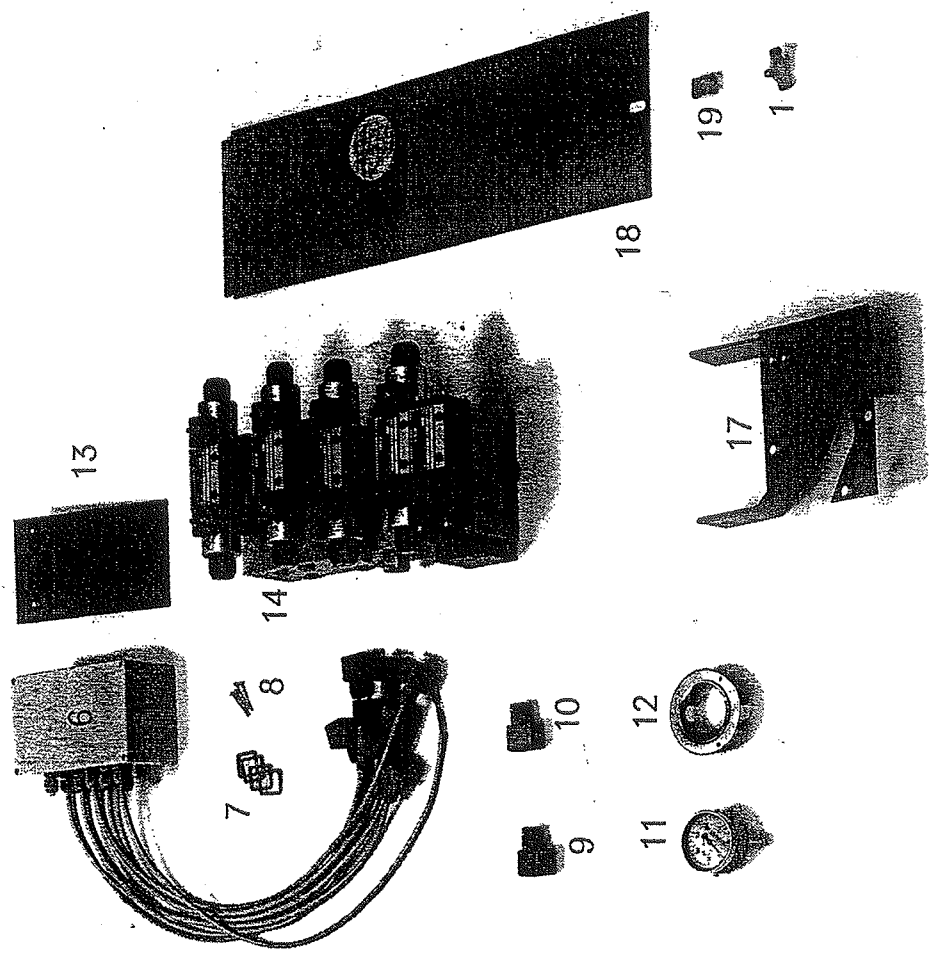
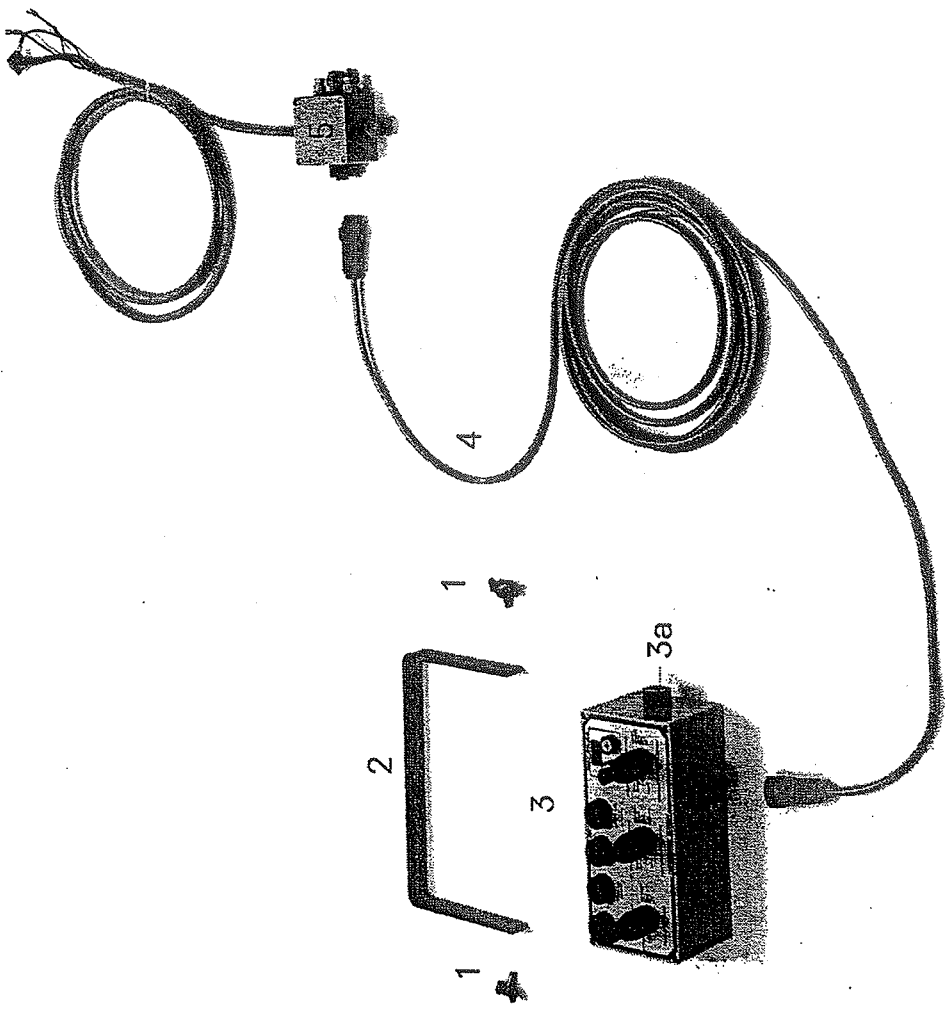
<i>Fig.</i>	<i>SR-no.</i>	<i>Omschrijving</i>	<i>Description</i>
1	967.0085	Opzet-achterbord Rap.100	Set-up tailgate Rap.100
2	967.0105	Achterklep met dwarsband Rap.100	Tailgate with cross conveyor Rap. 100
	969.0677	Achterklep met dwarsband Rap. 130 en 160	Tailgate with cross conveyor Rap.130 and 160
3	967.0109	Tunnel links Rap.100	Tunnel left Rap.100
	969.0962	Tunnel links Rap.130 en 160	Tunnel left Rap.130 and 160
4	349.0064	Schuifelip	Panex Quick-acting clip
5	349.0065	Nylonring	Nylon Ring
6	349.0066	Snelschroef	Quick-acting screw
7	934.0992	Sluitdeksel	Cover
8	960.0483	Verlichtingsbakje	Light holder
9	480.0033	Achterlamp	Rear light
9a	482.0122	Glas voor achterlicht	Glass for rear light
10	482.0201	Driehoek-reflector	Reflecting warning triangle
11	303.0920	Cilinderkopschroef M5x20	Cylinder head screw M5x20
13	967.0208	Spanbout M12x190	Tension bolt M12x190
14	306.0302	Borgmoer M12	Locking nut M12
15	355.0759	Hydr. cilinder (incl. 15a, b) Rap.100	Hydr. Cylinder (incl. 15a, b) Rap.100
	355.0450	Hydr. cilinder (incl. 15a, b) Rap. 130 en 160	Hydr. Cylinder (incl. 15a, b) Rap.130 and 160
15a	402.0129	Glijlager 20/25	Slide bearing 20/25
15b	454.0812	Set afdichtingen t.b.v. 15	Set of seals for 15
16	301.0801	Tapbout M8x16	Bolt M8x16
17	316.0905	Veerring 8 mm	Spring washer 8 mm
18	316.0713	Sluistring R9	Washer R9
19	316.0707	Sluistring A17	Washer A17
21	306.0303	Borgoer M16	Locking nut M16
22	900.0124	Bout M16x120	Bolt M16x120
23	306.0306	Borgmoer M10	Locking nut M10
24	316.0705	Sluistring A10,5	Washer A10,5
25	925.0474	Busje L46	Bush L46
26	301.0741	Bout M10x120	Bolt M10x120
27	925.0393	Busje L37	Bush L37
28	302.0603	Cilinderkopbout M10x60	Cylinder head bolt M10x60
29	966.0208	Insteekdeel	Plug-in piece
30	316.0901	Veerring 16 mm	Spring washer 16 mm 16 mm
31	301.0836	Bout M16x45	Bolt M16x45
32	967.0110	Tunnel rechts Rap.100	Tunnel right Rap.100
	969.0963	Tunnel rechts Rap.130 en 160	Tunnel right Rap.130 and 160
33	301.0809	Bout M10x20	Bolt M10x20
36	967.0620	Zijbord links Rap.100	Side board left Rap.100
	951.0027	Zijbord links Rap.130	Side board left Rap.130
	951.0033	Zijbord links Rap.160	Side board left Rap.160
37	967.0621	Zijbord rechts Rap.100	Side board right Rap.100
	951.0028	Zijbord rechts Rap.130	Side board right Rap.130
	951.0034	Zijbord rechts Rap.160	Side board right Rap.160



35. CROSS CONVEYOR

DWARSTRANSPORTEUR

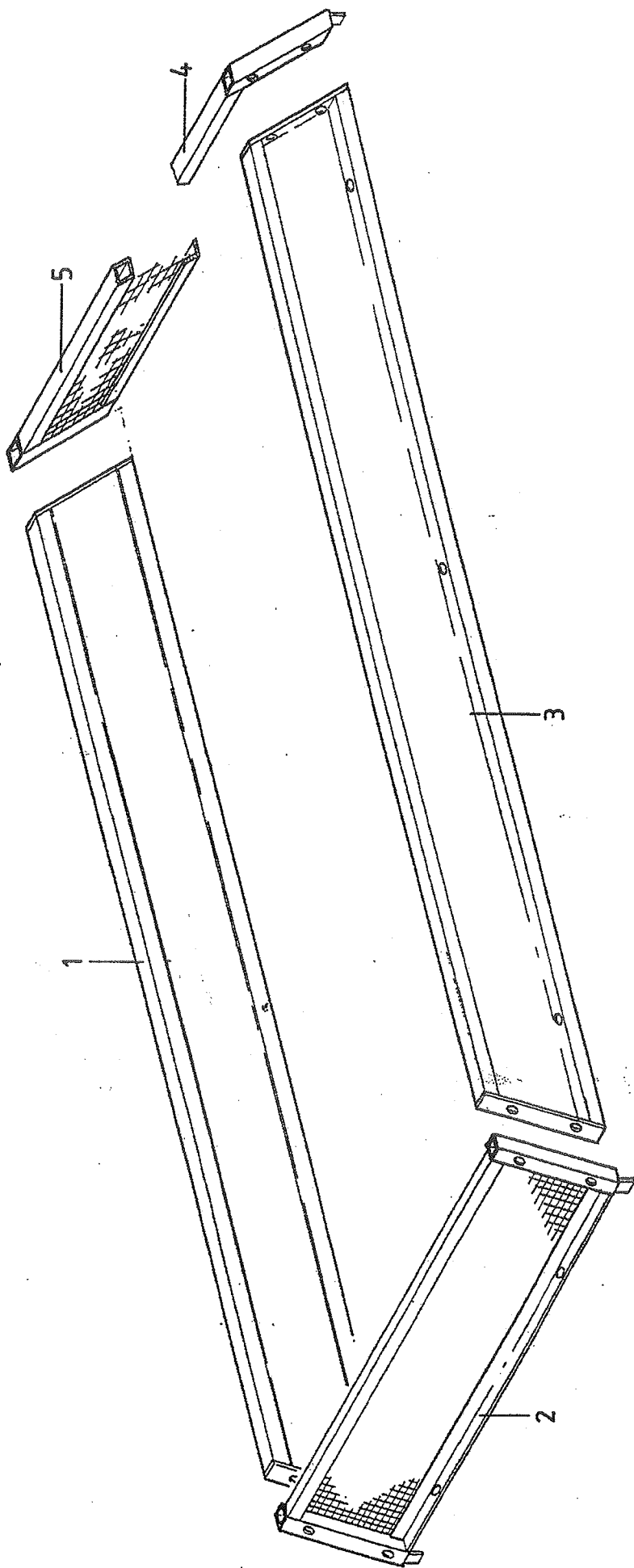
<i>Fig.</i>	<i>SR-no.</i>	<i>Omschrijving</i>	<i>Description</i>
1	967.0105	Klep met dwarstransporteur Rap.100	Tailgate with cross conveyor Rap.100
	969.0677	Klep met dwarstransporteur Rap.130 en 160	Tailgate with gross conveyor Rap.130and160
2	355.0759	Hydr. cilinder (incl. 2a en b) Rap.100	Hydr.cylinder (incl. 2a and b) Rap.100
	355.0450	Hydr.cilinder	Hydr.cylinder (incl. 2a and b)Rap.130 and 160
2a	402.0129	Glijlagerbusje	Slide-bearing bush
2b	454.0812	Set afdichtingen t.b.v. 2	Set of seals for 2
3	967.0110	Tunnel rechts Rap.100	Tunnel right Rap.100
	969.0963	Tunnel rechts Rap.130 en 160	Tunnel right Rap.130 and 160
4	967.0109	Tunnel links Rap.100	Tunnel left Rap.100
	969.0962	Tunnel links Rap.130 en 160	Tunnel left Rap. 130 and 160
5	914.0008	Afdichtstrook	Closure strip
6	303.0928	Platte bolkop Schroef M6x12	Round head screw, flat M6x12
7	316.0708	Sluitring A6,4	Washer A6,4
8	306.0707	Moer M6	Nut M6
9	360.0005	Set afschermringen (incl. 9a)	Plastic protective rings (incl. 9a)
10	968.0151	Bandspanrol	Tension roller
11	934.0992	Deksel dwarstransporteur	Cover cross conveyor
12	349.0064	Schuifclip Panex	Panex quick-acting clip
13	349.0065	Nylonring	Nylon Ring
14	349.0066	Kop met zaaggleuf	Screw with slot
15	303.0725	Slotbout M8x16	Bolt M8x16
16	306.0312	Borgmoer M8	Locking nut M8
17	303.0724	Slotbout M8x20	Bolt M8x20
18	303.0721	Slotbout M8x30	Bolt M8x30
19	966.0553	Spanlagerhuis (incl. 23)	Bearing housing complete (incl. 23)
20	306.0704	Moer M12	Nut M12
21	301.0840	Spanbout M12x130	Bolt M12x130
22	401.0169	Flenslager GRAE 25 NPPB	Flange bearing GRAE 25 NPPB
23	401.0249	Lagerflens	Bearing flange
24	401.0171	Lagerbeschermkap	Protective cover for bearing
25	433.0021	Transportband, incl. 26	Conveyor belt, incl. 26
26	433.0019	Riemverbinder, incl. 26a	Conveyor belt connection, incl. 26a
26a	433.0033	Riemverbinderpen	Conveyor belt connection pin
27	968.0152	Banddrijfrol	Belt pulley
28	355.0075	Hydro-motor OMP-50	Hydro-Motor OMP-50
29	355.0101	Rechte inschroefkoppeling AL-15R	Straight screw-in coupling AL-15R
30	417.0543	Hydr. slang Rap.100	Hydr. Hose Rap.100
	417.0522	Hydr. slang Rap.130 en 160	Hydr. Hose Rap.130 and 160
31	302.619	Cilinder kopbout M8x25	Cylinder head bolt M8x25
32	306.705	Moer M8	Nut M8
33	401.170	Lagerflens	Bearing flange
34	302.617	Cilinder kopbout M8x16	Cylinder head bolt M8x16



36. Hydraulic/Elektrical operation

HYDRAULISCH/ELEKTRISCHE BEDIENING

<i>Fig.</i>	<i>SR-no.</i>	<i>Omschrijving</i>	<i>Description</i>
1	349.0063	Vleugelknop M8×20	Wing nut M8×20
2	912.0146	Bevestigingsbeugel	Mounting bracket
3	484.0515	Bedieningsunit (incl. 3a t/m f)	Pilot box (incl. 3a up to f)
3a	349.0067	Trillingsdemper	Vibration damper
3b	484.0133	Kontaktblok	Contact block
3c	484.0134	Schakelhandel-vast	Fixed switch lever
3d	484.0135	Schakelhandel-verend	Spring switch lever
3e	484.0132	Beschermhoes	Protective cover
3f	484.0037	Signaallamp-rood	Warning light, red
3g	484.0136	Drukschakelaar-rood	Pressure switch, red
3h	484.0137	Drukschakelaar-groen	Pressure switch, green
3i	484.0138	Impulsschakelaar "+"	Impulse switch "+"
3j	484.0139	Impulsschakelaar "-"	Impulse switch "-"
3k	484.0144	Chassisdeel met pen 4-polig	Surface-mounted connector 4P
4	484.0602	Verbindingskabel	Connection cable
4a	484.0142	Stekker met pen 4-polig	Straight cable connector 4P
	484.0143	Stekker met bus 4-polig	Straight cable socket 4P
5	484.0607	Voedingsunit	Supply unit
5a	484.0144	Chassisdeel met pen 4-polig	Surface-mounted connector 4P
6	484.0606	Stuurunit	Control unit
7	484.0121	Dichtring GDM 3-16	Sealing ring GDM 3-16
8	484.0122	Schroef M3×35	Screw M3×35
9	484.0059	Connector zwart (incl. 7 en 8)	Connector, black (incl. 7, 8)
10	484.0060	Connector grijs (incl. 7 en 8)	Connector, grey (incl. 7 and 8)
11	355.0399	Manometer 0-250 bar (incl.12)	Manometer 0-250 Bar (incl.12)
13	961.0881	Montage-steunplaat Bo/LS	Mounting-support plate Bo/LS
14	355.0837	Hydraulisch manifold Rap.S-LS	Elektro-Hydraulic manifold Rap.V-LS
	355.0838	Hydraulisch manifold Rap.SW-LS	Elektro-Hydraulic manifold Rap.SW-LS
	355.0839	Hydraulisch manifold Rap.V-LS	Elektro-Hydraulic manifold Rap. V-LS
17	961.0880	Stuurblok-console Bo/LS	Manifold support Bo/LS
18	936.0917	Sluitplaat Bo/LS	Locking plate Bo/LS
19	306.0359	Plaatmoer M8 zelfborgend	Self-locking plate nut M8

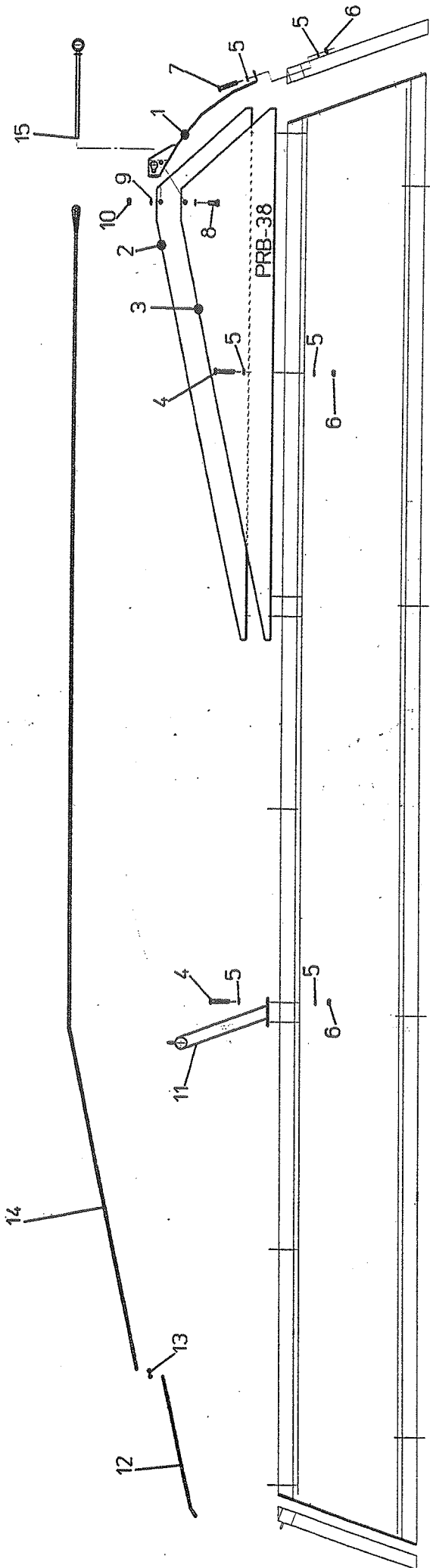


37. STEEL CONSTRUCTION AS WINDCOVER RAPIDE 100

STALEN OPBOUW ALS WINDKAP RAPIDE 100

Drawing no. 975.0016

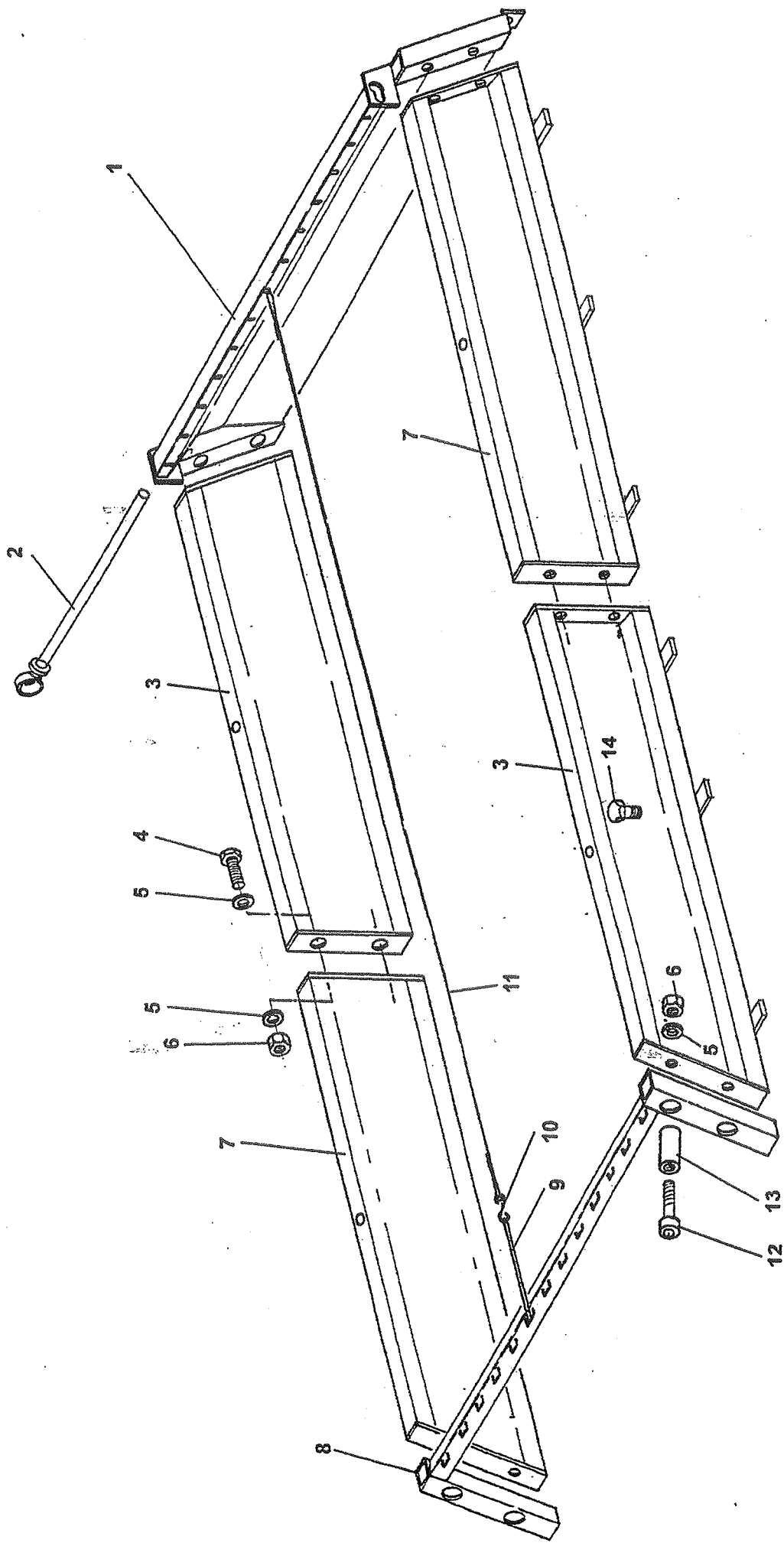
<i>Fig.</i>	<i>SR-no.</i>	<i>Omschrijving</i>	<i>Description</i>
0	992.0385	Windkap Rap.100SW	Wind cover, steel Rap.100SW
	992.0386	Windkap Rap.100V	Wind cover, steel Rap.100V
1	967.0572	Zijstuk Rap.100SW	Side piece Rap.100SW
	968.0439	Zijstuk Rap.100V	Side piece Rap.100V
2	967.0574	Voorstuk met gaas	Front part with wire gauze
3	967.0572	Zijstuk Rap.100SW	Side piece Rap.100SW
	968.0439	Zijstuk Rap.100V	Side peice Rap.100V
4	968.0576	Achterbeugel Rap.100SW	Rear bracket Rap.100SW
5	967.0574	Achterstuk met gaas Rap.100V	Back part with wire gauze Rap.100V



38. EXTRA SLIDE GUIDE + CORDS FOR WIND COVER CONSTRUCTION RAPIDE 100

EXTRA GELEIDEPLAAT + KOORDEN OP WINDKAP RAPIDE 100

<i>Fig.</i>	<i>SR-no.</i>	<i>Omschrijving</i>	<i>Description</i>
1	961.0290	Voorplaat	Front plate
2	936.0616	Zijplaat li.	Side plate left
3	936.0617	Zijplaat re.	Side plate right
4	301.0752	Bout M10×75	Bolt M10×75
5	316.0705	Sluitring A10,5	Washer A10,5
6	306.0306	Borgmoer M10	Locking nut M10
7	301.0725	Bout M10×65	Bolt M10×65
8	301.0810	Bout M12×30	Bolt M12×30
9	316.0702	Sluitring A13	Washer A13
10	306.0302	Borgmoer M12	Locking nut M12
11	960.0393	Middenbeugel	Central bracket
12	900.0300	Spankoord – 40	Dragband – 40
13	461.0150	D-Sluiting	D- locking clamp
14	900.0334	Koord 8 / 4100 Rap.100SW	Cord 8 / 4100 Rap.100SW
	900.0338	Koord 8 / 4720 Rap.100V	Cord 8 / 4720 Rap.100V
15	961.0275	Kabelstang	Cable rod



39. STEEL CONSTRUCTION + CORDS AS WIND COVER RAPIDE 130 AND 160 .

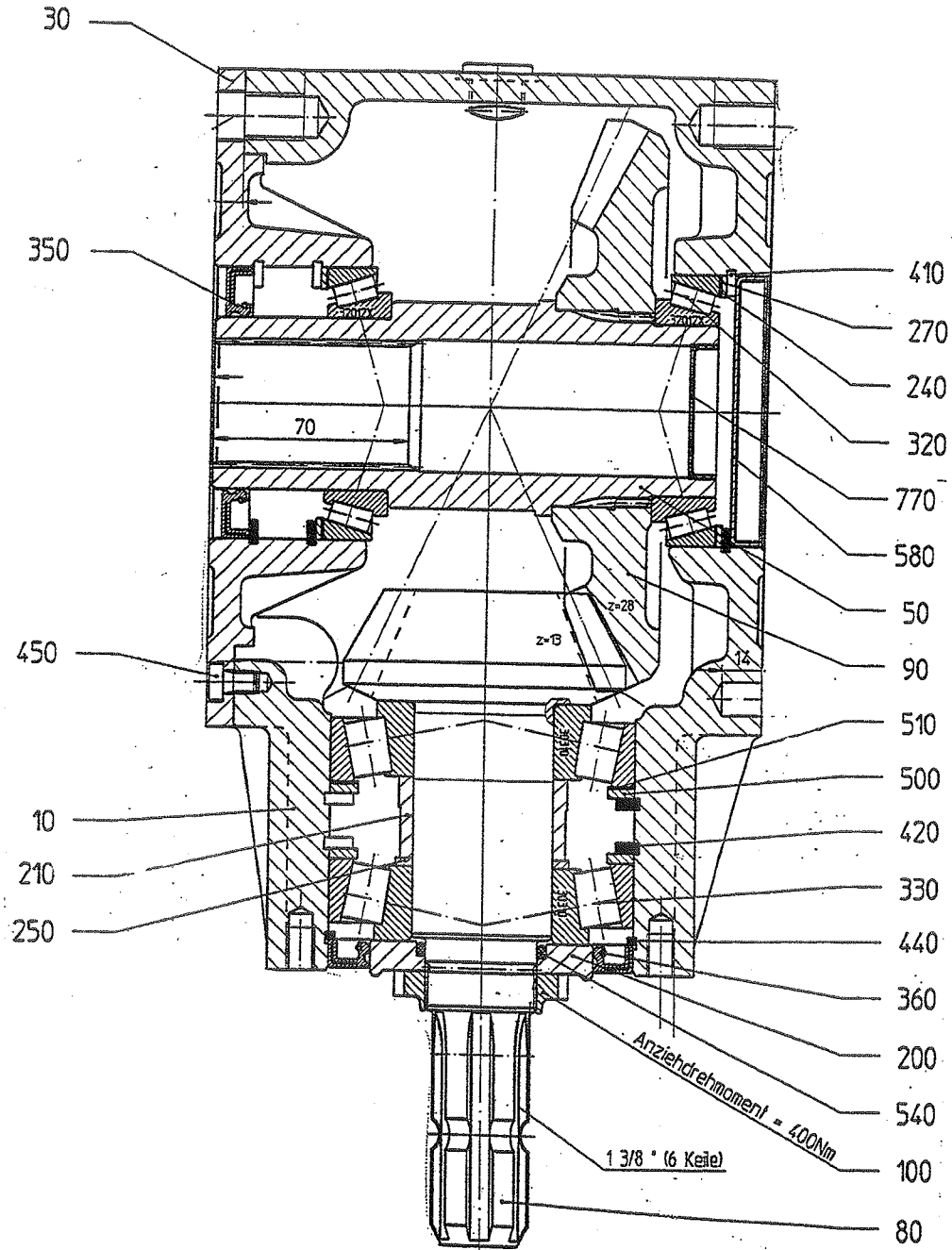
STAALOPBOUW + KOORDEN ALS WINDKAP RAPIDE 130 EN 160

Drawing no. 975.0024

<i>Fig.</i>	<i>SR-no.</i>	<i>Omschrijving</i>	<i>Description</i>
0	994.0600	Windkap Rap.130 cpl.	Wind cover, steel Rap.130 cpl.
	994.0429	Windkap Rap.160 cpl.	Wind cover, steel Rap.160 cpl.
1	961.0271	Voorstuk met geleideplaat	Front part to lead
2	961.0275	Kabelstang	Cable rod
3	961.0569	Zijstuk-RH Rap.130	Side piece- RH Rap.130
	961.0575	Zijstuk-RH Rap.160	Side piece- RH Rap.160
4	301.0811	Bout M10×30	Bolt M10×30
5	316.0705	Sluistring A10,5	Washer A10,5
6	306.0306	Moer M10	Nut M10
7	961.0568	Zijstuk-LH Rap.130	Side piece- LH Rap.130
	961.0574	Zijstuk-LH Rap.160	Side piece- LH Rap.160
8	961.0274	Achterbeugel	Rear bracket Rap.
9	900.0300	Spankoord-40	Tension cord-40
10	461.0150	D-Sluiting	D-locking clamp
11	900.0330	Koord 8/4920 Rap.130	Cord 8/4920 Rap.130
	900.0284	Koord 8/5720 Rap.160	Cord 8/5720 Rap.160
12	302.0603	Cilinderkopbout M10×60	Cylinder head bolt M10×60
13	925.0393	Busje L37	Bush L37
14	301.0725	Bout M10×65	Bolt M10×65

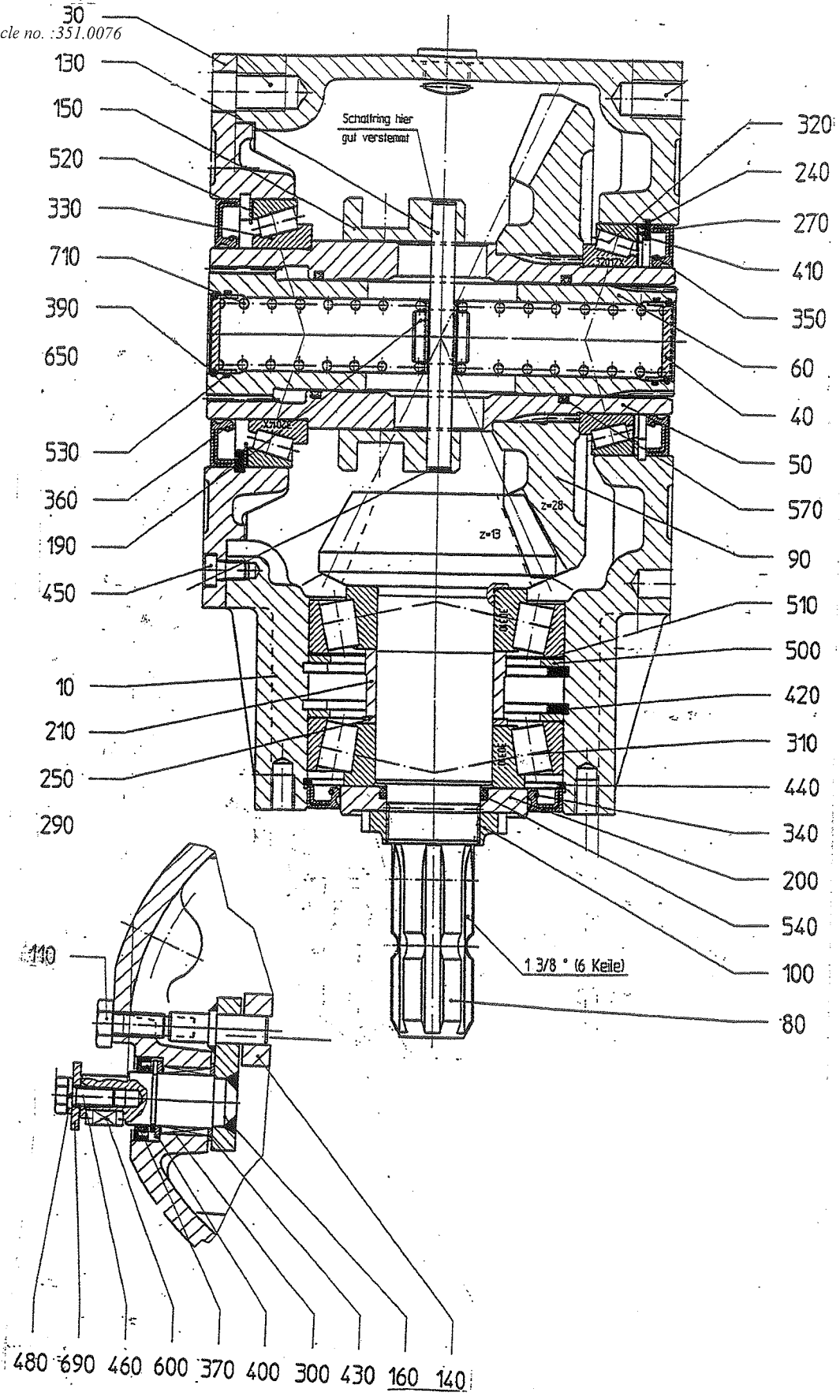
40. Gear box Type-S

Article no. :351.0066

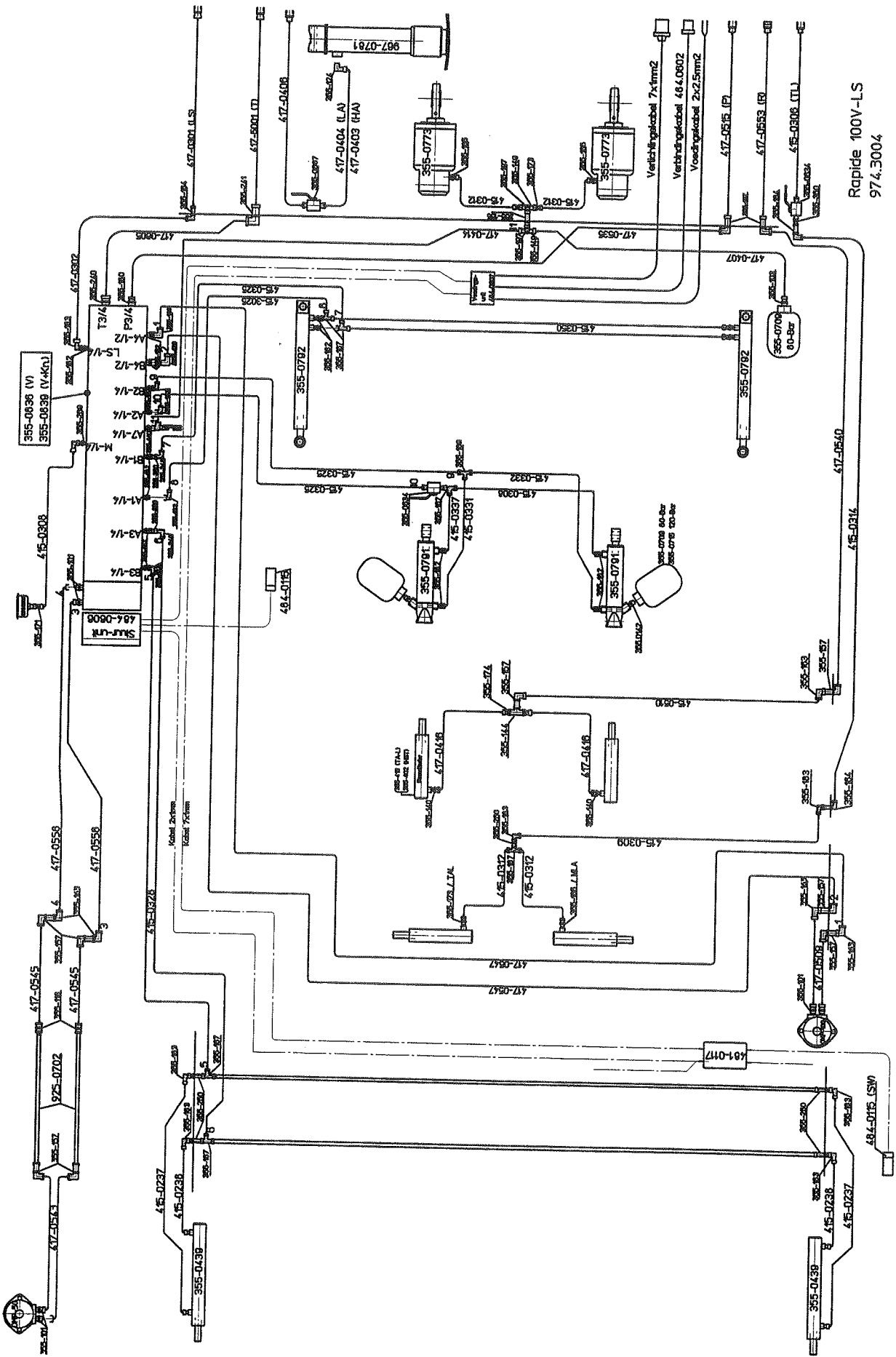


41. GEAR BOX TYPE SW AND V

Article no. :351.0076

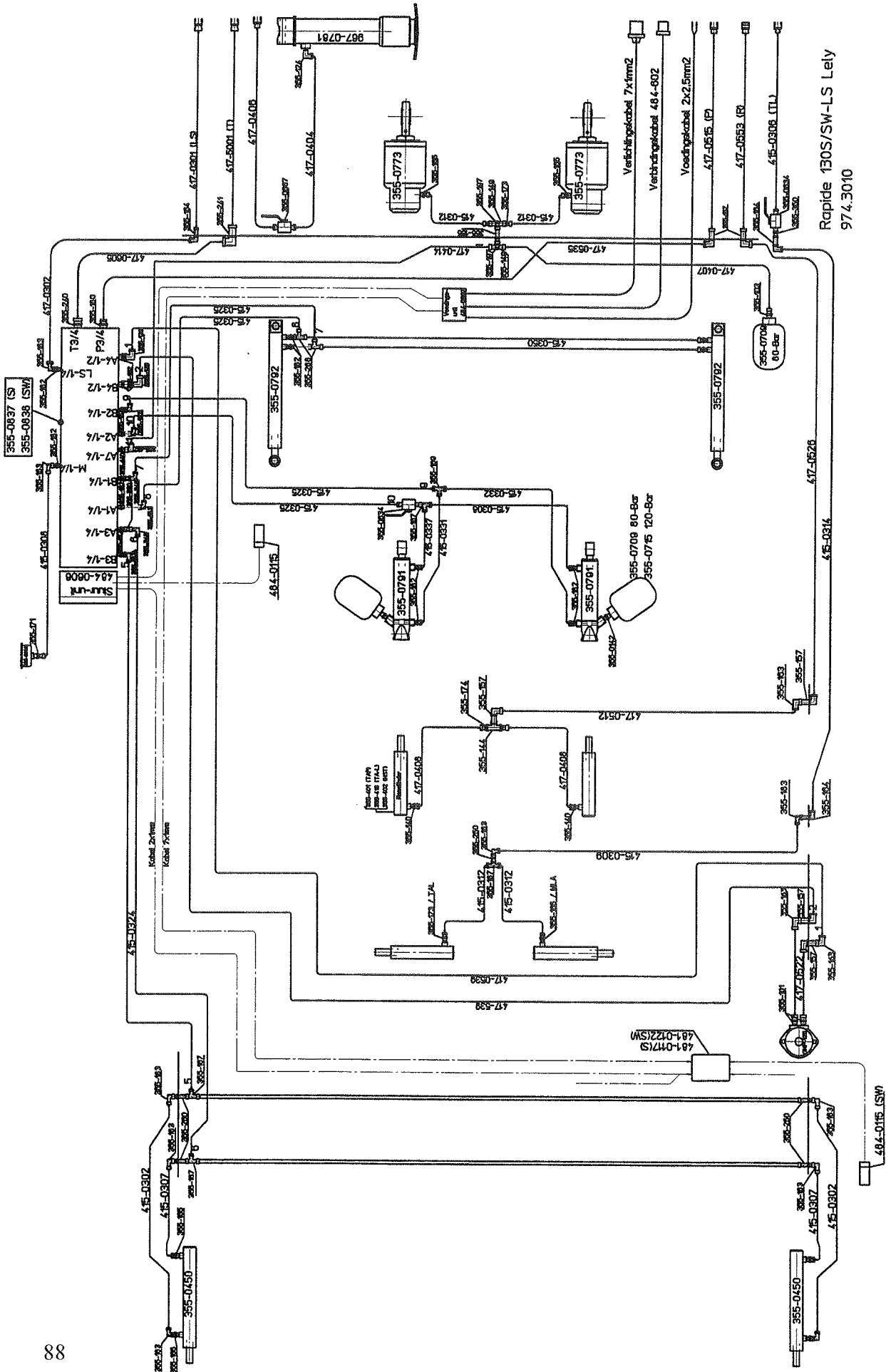


43. HYDRAULIC SYSTEM
 RAPIDE 100V-LS



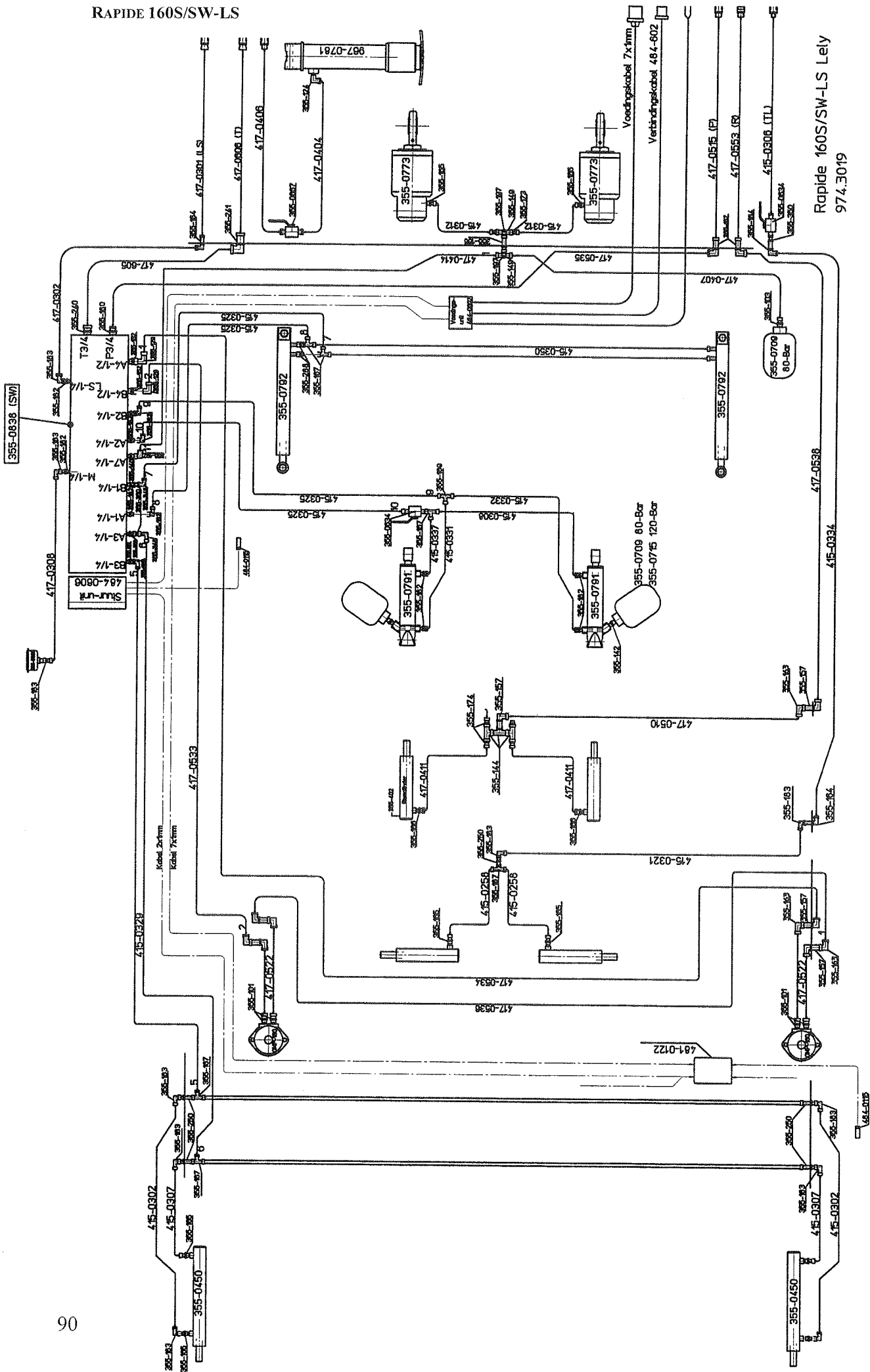
Rapide 100V-LS
 974.3004

44. HYDRAULIC SYSTEM
 RAPIDE 130S/SW-LS

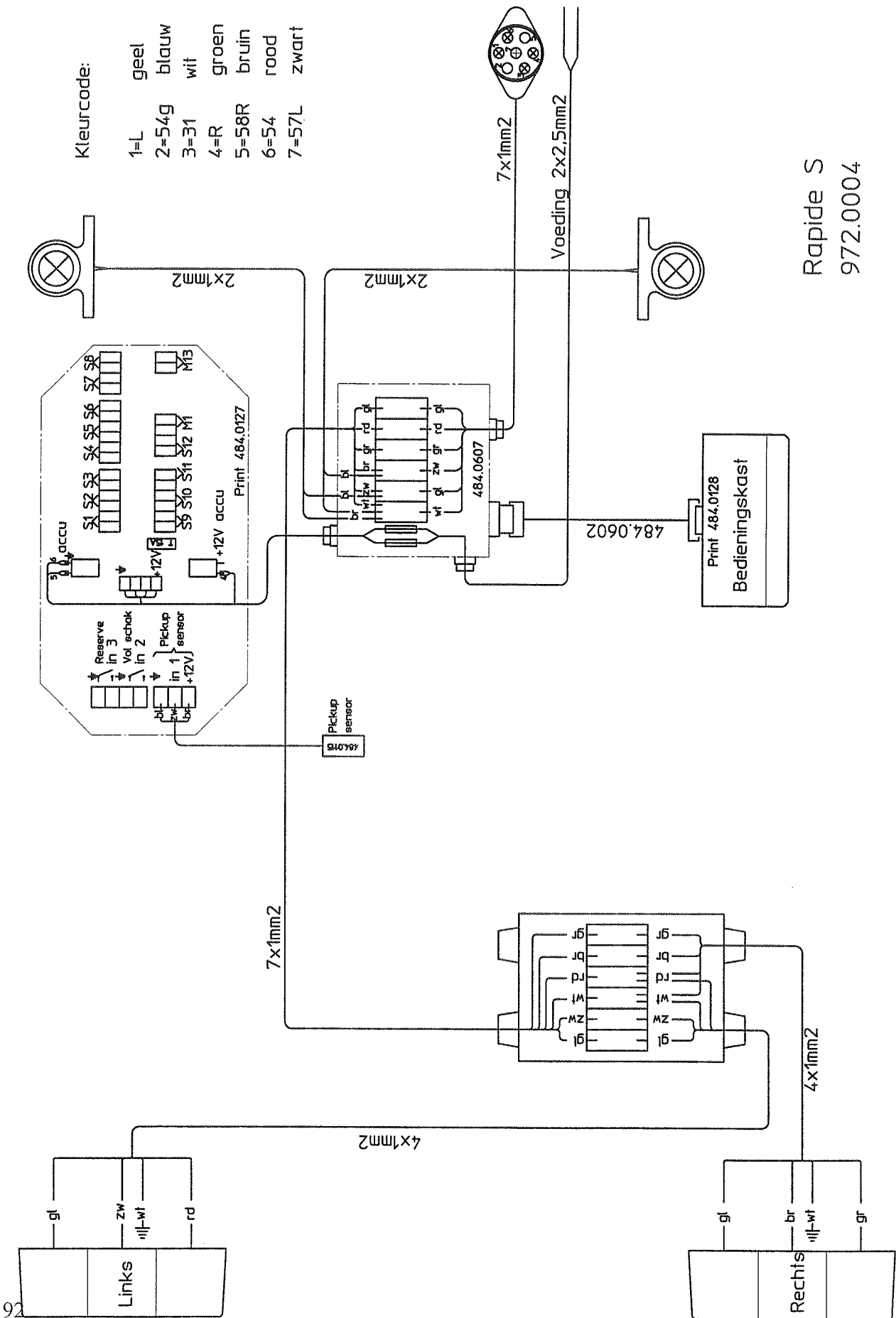


Rapide 130S/SW-LS Lely
 974.3010

46. HYDRAULIC SYSTEM
 RAPIDE 160S/SW-LS

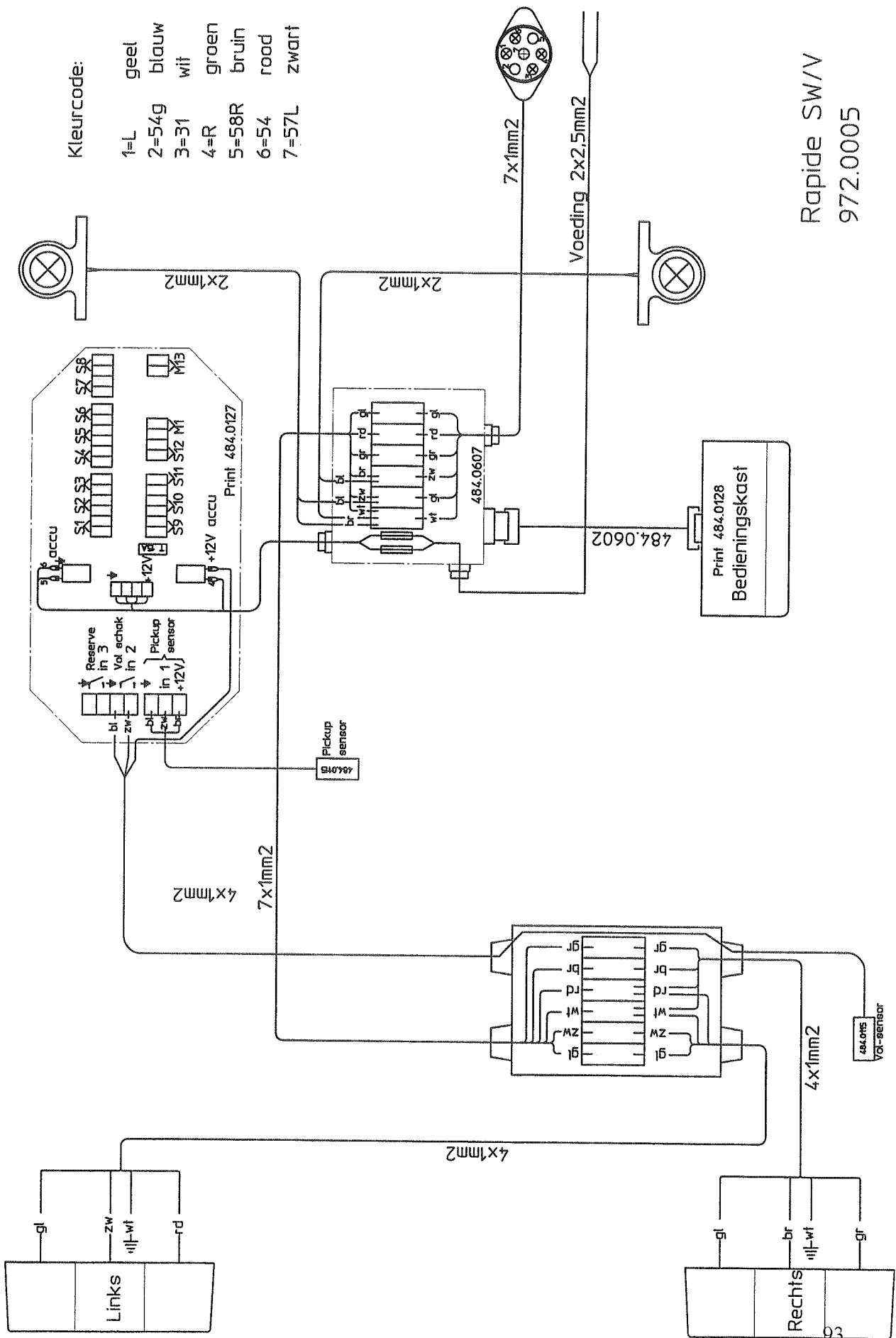


Rapide 160S/SW-LS Lely
 974.3019



Rapide S
972.0004

49. ELECTRICAL CIRCUIT DIAGRAM RAPIDE SW AND V



Kleurcode:

- 1=L geel
- 2=54g blauw
- 3=31 wit
- 4=R groen
- 5=58R bruin
- 6=54 rood
- 7=57L zwart

Rapide SW/V
972.0005

Year of Construction 2002

Spare parts Catalogue

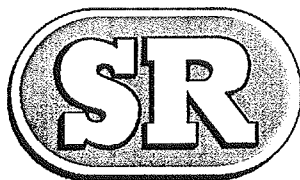
Precision Chop Loaderwagon

RAPIDE 100 - 130

Lely Australia / New Zealand



Schuitemaker



Schuitemaker Machines BV

P.O. Box 219

7460 AE Rijssen - Holland

Tel: +31 548 514125

Fax: +31 548 516840

E-mail: service@schuitemaker-machines.nl

Website: www.schuitemaker-machines.nl

Contents Lely 2002

Guidelines for ordering spare parts	3
1. <u>P.T.O.</u> Drive shaft with wide-angle yoke and cam-type clutch	5
1.1. Cam-type clutch	5
2. Rotor intake Type-S with drive	7
3. Rotor intake type-SW and V with drive	9
4. Floor chain with drive	13
5. Towbars	15
6. Rotor Gearbox	17
7. Floor driving gearbox	19
8. Pick-up Suspensio with drive (5-Rows)	21
9. 5-Rows Pick-up	23
10. Chopping device	25
11. Feed roller.	27
12. Hydraulic parking support	29
13. Tandem frame TAP-BPW Rapide 100	31
14. Tandem frame Rapide 130	33
15. Gigant Spring assemblies	35
16. Track following wheel axle Rapide 130.	37
17. Wheel axles ADR Rapide 130 (Type 898 Brake 400x80)	39
18. Tandem BPW TAL (Rapide 130)	41
19. Front board Rapide 100	43
20. Front board Rapide 130	45
21. Tailgate	47
22. Distribution beaters Rapide 100-SW	49
23. Distribution beaters Rapide 100-SWV; 130-SWV	51
24. Beater drive with chain tensioner	53
25. Beater protective device	55
26. Tailgate with Cross conveyor	57
27. Hydraulic/Elektrical operation	61
28. Steel construction as windcover Rapide 100	63
29. Extra Slide guide + cords for wind cover construction Rapide 100	65

30. Steel construction + cords as wind cover Rapide 130	67
31. Gear box Type-S	68
32. Gear box Type SW and SWV	69
33. Hydraulic system Rapide 100-S/LS	70
34. Hydraulic system Rapide 100-SW/LS	71
35. Hydraulic system Rapide 100-SWV/LS	73
36. Hydraulic system Rapide 130-S/LS	74
37. Hydraulic system Rapide 130-SWV/LS	75
38. Electrical circuit diagram Rapide S	76
39. Electrical circuit diagram Rapide SW and SWV	77

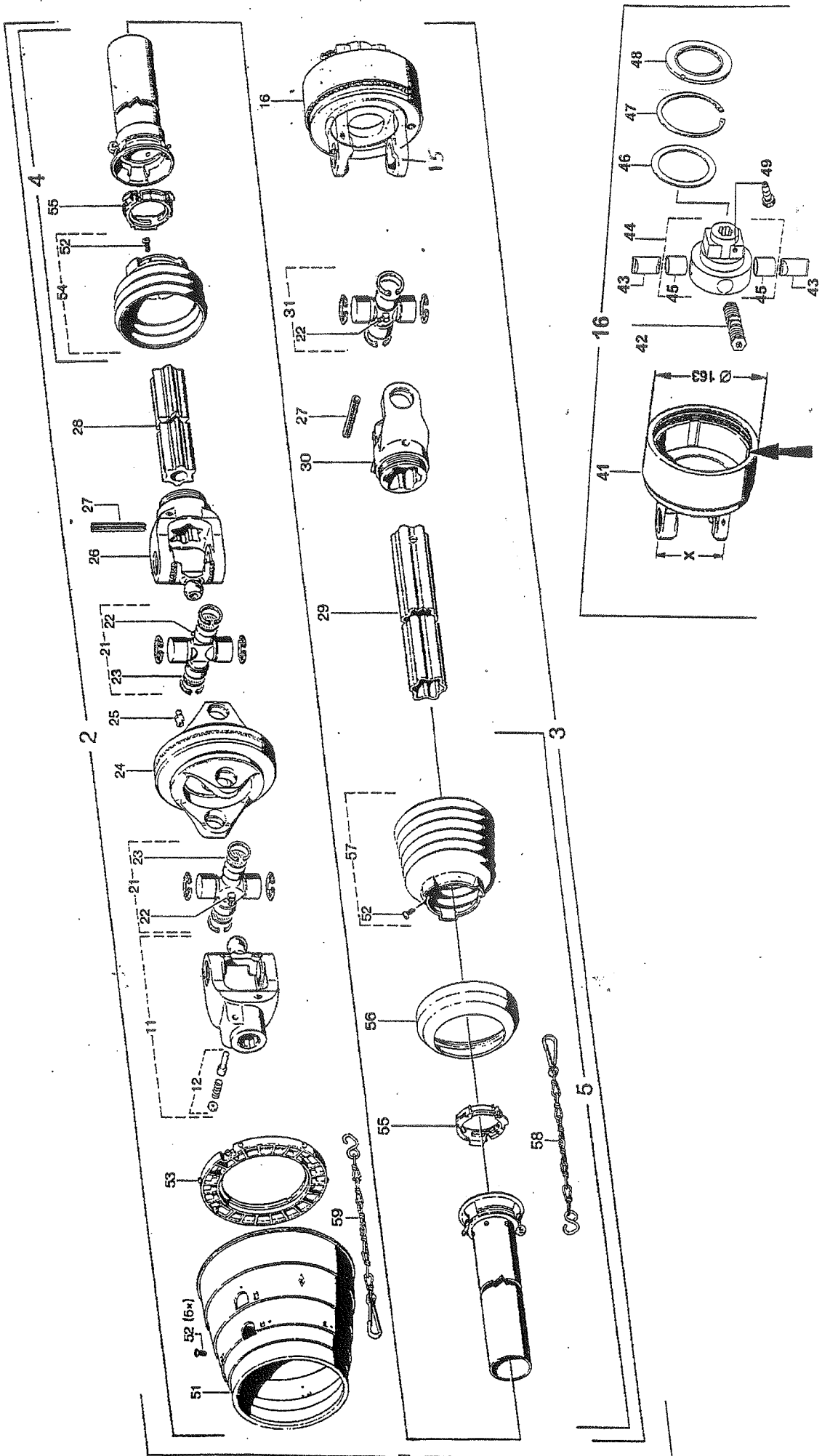
GUIDELINES FOR ORDERING SPARE PARTS

If you follow the rules stated below when ordering spare parts, you will be assured of a fast and correct delivery.

1. State the model, year of construction and serial number of your Rapide
2. State both the full number of the part (if known) and the description.
3. State how the part needs to be despatched.
4. When ordering wheel axle parts, it is also advisable to state the wheel axle type. This can be found on the type plate of the wheel axle.

The numbers of the parts of the SCHUITEMAKER-wagons can be found in the first column below the heading *SR-no.* These can be ordered from:

SCHUITEMAKER Machines B.V. Rijssen – The Netherlands
Postbus 219 - 7460 AE Rijssen – The Netherlands
Tel: 0031 - 548 - 514125
Fax: 0031 - 548 - 516840
Spare Parts Dept.
Ext. 41



1. P.T.O. DRIVE SCHAFT WITH WIDE-ANGLE YOKE AND CAM-TYPE CLUTCH

ENKELZIJDIGE GROOTHOEK-KOPPELINGSAS MET NOKKENKOPPELING

<i>Fig.</i>	<i>SR-no.</i>	<i>Omschrijving</i>	<i>Description</i>
1	354.0172	Koppelingsas WWE 2480 1600 Nm cpl.	P.T.O. shaft WWE 2480 1600 Nm cpl.
4	455.0020	Buitenbeschermbuis met kap	Outside protection tube with cover
	455.0153	Buitenbeschermbuis cpl. met kap	Outside protection tube cpl. with cover
5	455.0021	Binnenbeschermbuis	Inner protection tube
	455.0152	Binnenbeschermbuis cpl. met kap	Inner protection tube cpl. with cover
11	455.0048	Groothoek-opsteekgaffel	Wide-angle set-up yoke
12	455.0046	Drukstift set (Agra 101)	Locking pin set (Agra 101)
15	455.0054	Flensgaffel	Flange yoke
16	455.0112	Nokkenschakelkoppeling 1600 Nm	Cam-type clutch 1600 Nm
21	455.0056	Groothoek-kruisstuk (incl. 7; 8)	Wide-angle cross-piece (incl 7; 8)
22	342.0105	Smeernippel M8x1	Grease nipple M8x1
24	455.0049	Dubbel-gaffel	Double yoke
25	342.0105	Smeernippel M8x1	Grease nipple M8x126
26	455.0091	Profielgaffel	Profiled yoke
27	312.0130	Spanstift 10x80-1481	Clamping pin 10x80-1481
28	455.0093	Sterbuis S4GA (binnen)	Profiled tube S4GA (inside)
29	455.0094	Sterbuis S5 (buiten)	Profiled tube S5 (outside)
30	455.0092	Profielgaffel	Profiled yoke
31	455.0055	Kruisstuk cpl.	Cross-piece cpl.
51	455.0161	Beschermtrichter	Protective cover
53	455.0162	Glijring	Sliding ring
54	455.0154	Beschermkap met schroef (incl.15)	Protective cover with screw (incl.15)
55	455.0155	Glijring	Sliding ring
56	455.0088	Steunring	Supporting ring
57	455.0154	Beschermtrichter	Safety cover
59	450.0035	Borgketting	Locking chain

1.1. CAM-TYPE CLUTCH

NOKKENKOPPELING

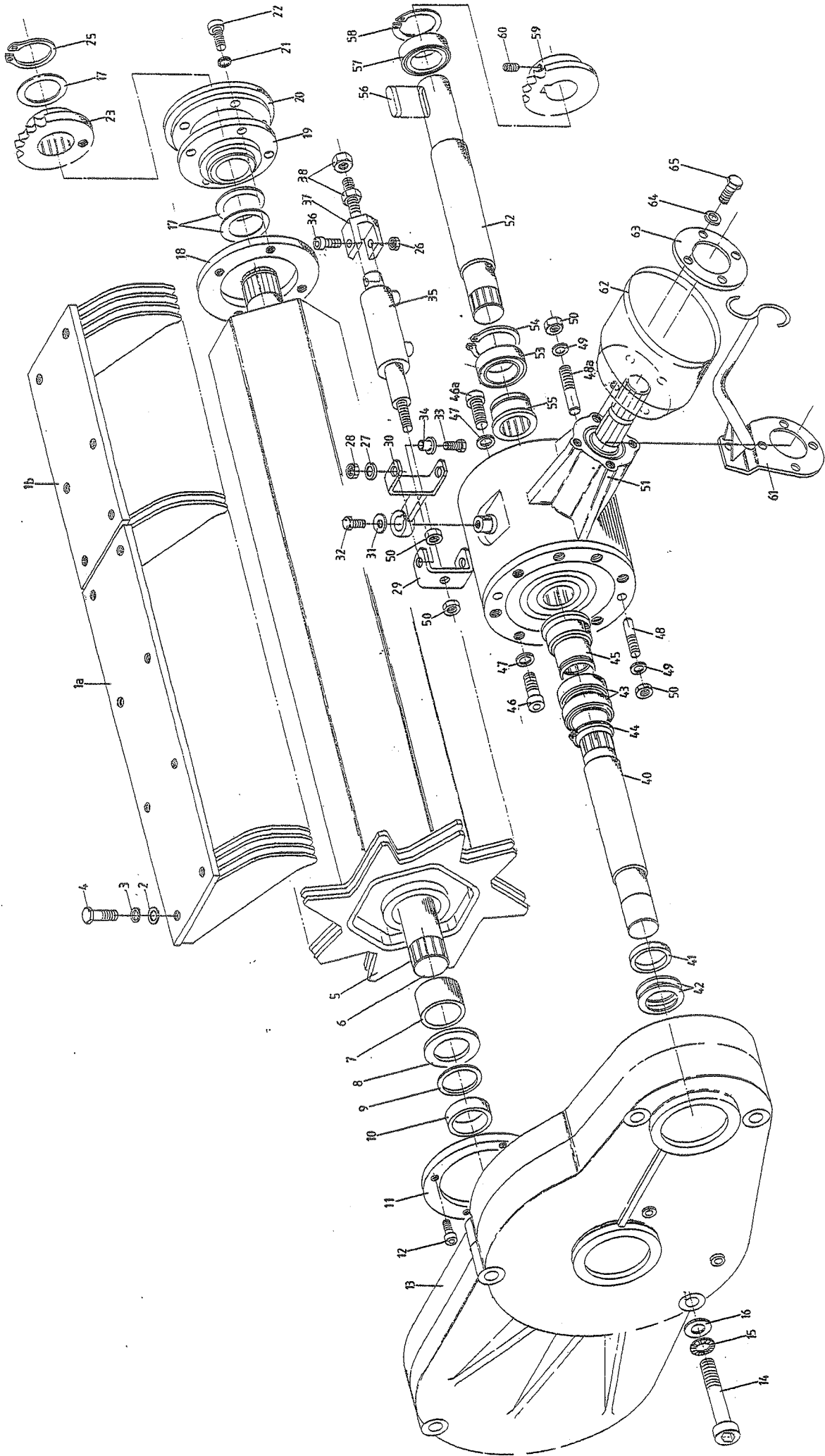
<i>Fig.</i>	<i>SR-no.</i>	<i>Omschrijving</i>	<i>Description</i>
16	455.0112	Nokkenschakelkoppeling 1600 Nm	Cam-type clutch 1600 Nm
41	455.0067	Koppelingshuis	Clutch housing
42	455.0078	Schakelnok 1600 Nm	Switch cam 1600 Nm
43	455.0065	Blokkeernok	Locking cam
44	455.0063	Naaf	Hub
45	455.0064	Glijbus	Sliding sleeve
46	455.0061	Dichtring	Sealing ring
47	313.0214	Borgring 1-150	Locking ring 1-150
48	455.0062	Steunring	Supporting ring
49	455.0096	Klemkonus	Clamping cone

2. ROTOR INTAKE TYPE-S WITH DRIVE

ROTORINVOER MET AANDRIJVING

Drawing no. : 975.0035

<i>Fig.</i>	<i>SR-no.</i>	<i>Omschrijving</i>	<i>Description</i>
1a	961.0542	Afstrijkerlijst lang	Stripper frame long
1b	961.0543	Afstrijkerlijst kort	Stripper frame short
	934.0383	Afstrijker	Stripper
2	301.0803	Bout M12x20	Bolt M12x20
3	316.0902	Tandveerring J12	Toothed spring ring J12
4	316.0702	Sluitring A13	Washer A13
5	961.0930	Rotor 8T/6K-A72x66	Rotor 8T/6K-A72x66
6	921.0273	Rotoras B72x66	Rotor shaft B72x66
7	402.0211	Glijlager N72100	Slide bearing N72100
8	403.0135	Loopschijf LS-75100	Counting disc LS-75100
9	349.0089	Vulschijf PS-75x95x1	Filler disc PS-75x95x1
	349.0090	Vulschijf PS-75x95x2	Filler disc PS-75x95x2
10	926.0336	Afstandbus 7228	Spacing sleeve 7228
11	937.0016	Afdichtschijf 60/M8	Sealing disc 60/M8
12	302.0607	Cilinderkopbout M8x20	Cylinder head bolt M8x20
13	351.0074	Rotortandwielkast A72x66 (zie blz. 17)	Rotor gearbox A72x66 (page 17)
14	302.0637	Cilinderkopbout M16x160	Cylinder head bolt M16x160
	302.0639	Cilinderkopbout M16x200	Cylinder head bolt M16x200
15	316.0707	Sluitring A17	Washer A17
16	316.0919	Tandveerring J16,5	Toothed spring ring J16,5
17	349.0044	Vulschijf 60x75x1	Filler disc 60x75x1
	349.0047	Vulschijf 60x75x2	Filler disc 60x75x2
18	937.0017	Afdichtschijf 60/M16	Sealing disc 60/M16
19	900.0132	Kogellager RME 60/192	Ball bearing RME 60/192
20	936.0809	Eindflens 60/8	End flange 60/8
21	301.0836	Bout M16x45	Bolt M16x45
22	316.0919	Tandveerring J16,5	Toothed lock washer J16,5
23	953.0673	Kettingwiel 3/4"-26	Chain wheel 3/4"-26
	900.0211	Breekbout M12x62	Shearing bolt M12x62
25	313.0121	Borgring A-60	Locking ring A-60
37	456.0064	Schotelring	Belleville washer
38	456.0063	Steunring	Ring
39	456.0060	Drijfjas B50x45	Rotor drive shaft B50x45
40	401.0208	Kogellager 6209-2RS	Ball bearing 6209-2RS
41	456.0097	Lagcrbus	Bearing bush
42	306.0704	Moer M12	Nut M12
43	316.0702	Sluitring A13	Washer A13
44	456.0098	Paspen 12M6x57	Dowel 12M6x57
45	351.0066	Tandwielkast WG-13>28 (zie blz.68)	Gear box WG-13>28 (page 68)
46	302.0640	Cilinderkopbout M16x50	Cylinder head bolt M16x50
47	316.0919	Veerring 16mm	Spring ring 16mm
48	302.0623	Cilinderkopbout M16x40	Cylinder head bolt M16x40
49	456.0018	Paspen 12M6x47	Dowel 12M6x47
57	900.0116	Beschermtrechter	Protective cover
58	934.0136	Versterkingsring	Reinforcing ring
59	316.0906	Veerring 12mm	Spring ring 10mm
60	301.0805	Bout M10x25	Bolt M10x25
61	968.0344	Slanghouder	Hose reels

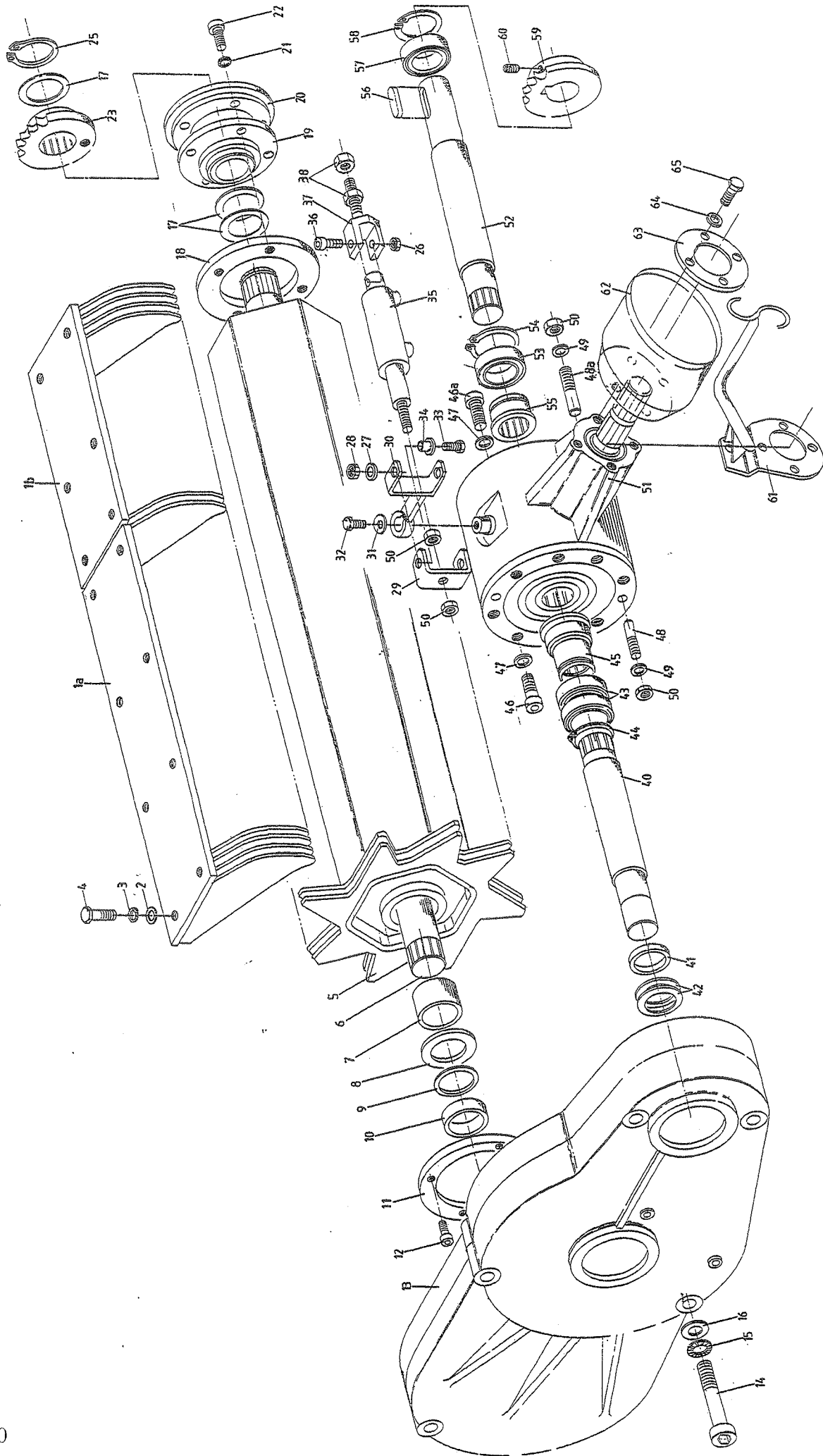


3. ROTOR INTAKE TYPE-SW AND V WITH DRIVE

ROTORINVOER MET AANDRIJVING

Drawing no. : 975.0039

<i>Fig.</i>	<i>SR-no.</i>	<i>Omschrijving</i>	<i>Description</i>
1a	961.0542	Afstrijkerlijst lang	Stripper frame long
1b	961.0543	Afstrijkerlijst kort	Stripper frame short
	934.0383	Afstrijker	Stripper
2	301.0803	Bout M12×20	Bolt M12×20
3	316.0902	Tandveerring J12	Toothed spring ring J12
4	316.0702	Sluistring A13	Washer A13
5	961.0930	Rotor 8T/6K-A72×66	Rotor 8T/6K-A72×66
6	921.0273	Rotoras B72×66	Rotor shaft B72×66
7	402.0211	Glijlager N72100	Slide bearing N72100
8	403.0135	Loopschijf LS-75100	Counting disc LS-75100
9	349.0089	Vulschijf PS-75×95×1	Filler disc PS-75×95×1
	349.0090	Vulschijf PS-75×95×2	Filler disc PS-75×95×2
10	926.0336	Afstandbus 7228	Spacing sleeve 7228
11	937.0016	Afdichtschijf 60/M8	Sealing disc 60/M8
12	302.0607	Cilinderkopbout M8×20	Cylinder head bolt M8×20
13	351.0074	Rotortandwielkast A72×66 (zie blz. 17)	Rotor gearbox A72×66 (page 17)
14	302.0637	Cilinderkopbout M16×160	Cylinder head bolt M16×160
	302.0639	Cilinderkopbout M16×200	Cylinder head bolt M16×200
15	316.0707	Sluistring A17	Washer A17
16	316.0919	Tandveerring J16,5	Toothed spring ring J16,5
17	349.0044	Vulschijf 60×75×1	Filler disc 60×75×1
	349.0047	Vulschijf 60×75×2	Filler disc 60×75×2
18	937.0017	Afdichtschijf 60/M16	Sealing disc 60/M16
19	900.0132	Kogellager RME 60/192	Ball bearing RME 60/192
20	936.0809	Eindflens 60/8	End flange 60/8
21	301.0836	Bout M16×45	Bolt M16×45
22	316.0919	Tandveerring J16,6	Toothed lock washer J16,5
23	953.0673	Kettingwiel ¾"-26	Chain wheel ¾"-26
23a	900.0211	Breekbout M12×62	Shearing bolt M12×62
25	313.0121	Borgring A-60	Locking ring A-60
26	306.0306	Borgmoer M10	Locking nut M10
27	316.0709	Sluitplaat A6,4	Washer A6,4
28	306.0311	Borgmoer M6	Locking nut M6
29	913.1185	U-beugel met gat	U-bracket
30	961.0997	Schakelhefboom	Gear lever
31	316.0713	Sluistring R9	Washer R9
32	301.0806	Bout M8x20	Bolt M8x20
33	301.0827	Bout M6x25	Bolt M6x25
34	402.0166	Glijlager 6/10x16	Slide bearing 6/10x16
35	355.3005	Hydr cilinder D16/25-100	Hydr cylinder D16/25-100
36	302.0602	Cilinderkopbout M10x45	Cylinder head bolt M10x45
37	921.0328	Stelgaffel M12	Adjusting fork M12
38	306.0302	Borgmoer M12	Locking nut M12

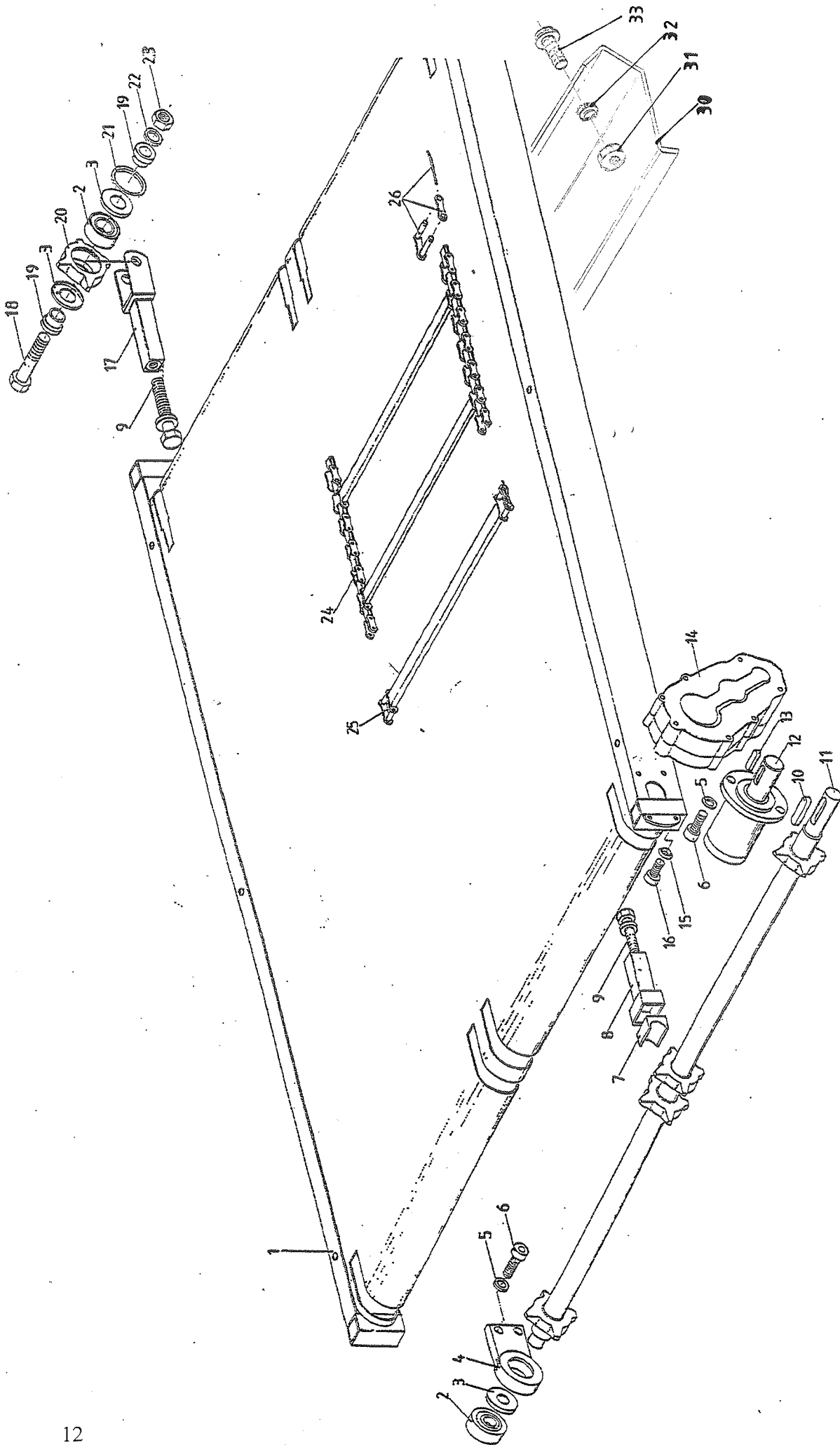


CONTIUATION ROTOR INTAKE TYPE-SW WITH GEAR

VERVOLG ROTORINVOER MET AANDRIJVING

Drawing no. : 975.0039

<i>Fig.</i>	<i>SR-no.</i>	<i>Omschrijving</i>	<i>Description</i>
40	456.0059	Rotordrijfas B50x45	Rotor drive shaft B50x45
41	456.0063	Steunring	Buche
42	456.0064	Schotelring	Belleville washer
43	401.0231	Kogellager 6012-2RS	Ball bearing 6012-2RS
44	313.0121	Borgring A-60	Safety ring A-60
45	456.0099	Schakelbus	Gear bush
46	302.0640	Cilinderkopbout M16x50	Cylinder head bolt M16x50
46a	302.0623	Cilinderkopbout M16x40	Cylinder head bolt M16x40
47	316.0919	Veerring 16 mm	Spring washer 16 mm
48	456.0098	Paspen 12M6x57	Dowel 12M6x57
48a	456.0018	Paspen 12M6x47	Dowel 12M6x47
49	316.0702	Sluitring A13	Washer A13
50	306.0704	Moer M12	Nut M12
51	351.0076	Schakeltandwielkast SG-13/28 (zie blz.69)	Gear box SG-13/28 (See page 69)
52	456.0061	Verdeler-drijfas	Beater drive shaft
53	401.0275	Kogellager 6011-2RS	Ball bearing 6011-2RS
54	313.0124	Borgring A-55	Safety ring A-55
55	456.0100	Splinesbus	Bush with splines
56	315.0123	Spie 12x8x45	Key 12x8x45
57	401.0209	Kogellager 6308-2RS	Ball bearing 6308-2RS
58	313.0212	Borgring I-90	Safety ring I-90
59	353.0407	Kettingwiel 1"-17/40	Chain sprocket 1"-17/40
60	304.0114	Stelschroef M10x20	Set screw M10x20
61	968.0344	Slanghouder	Hose reels
62	900.0116	Beschermtrichter	Protective cover
63	934.0136	Versterkingsring	Reinforcing ring
64	316.0906	Veerring 10mm	Spring ring 10mm
65	301.0805	Bout M10x25	Bolt M10x25

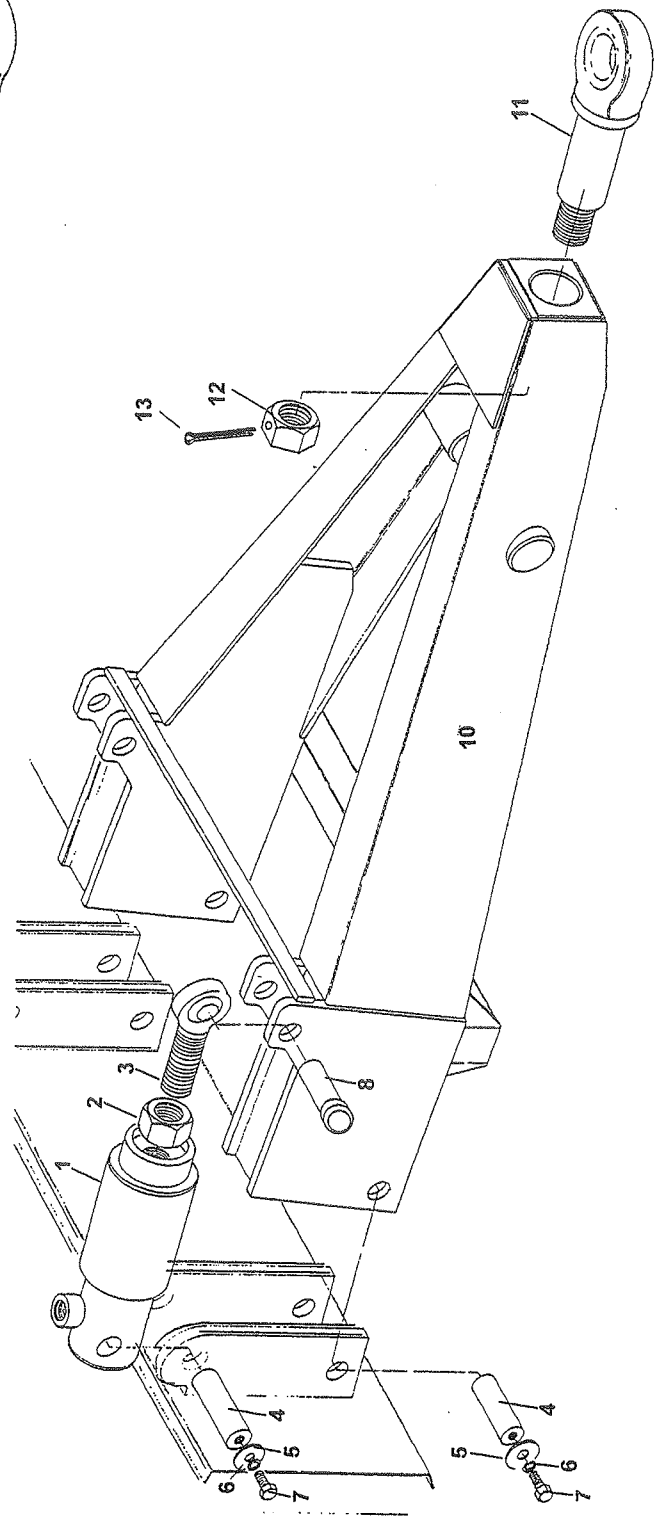
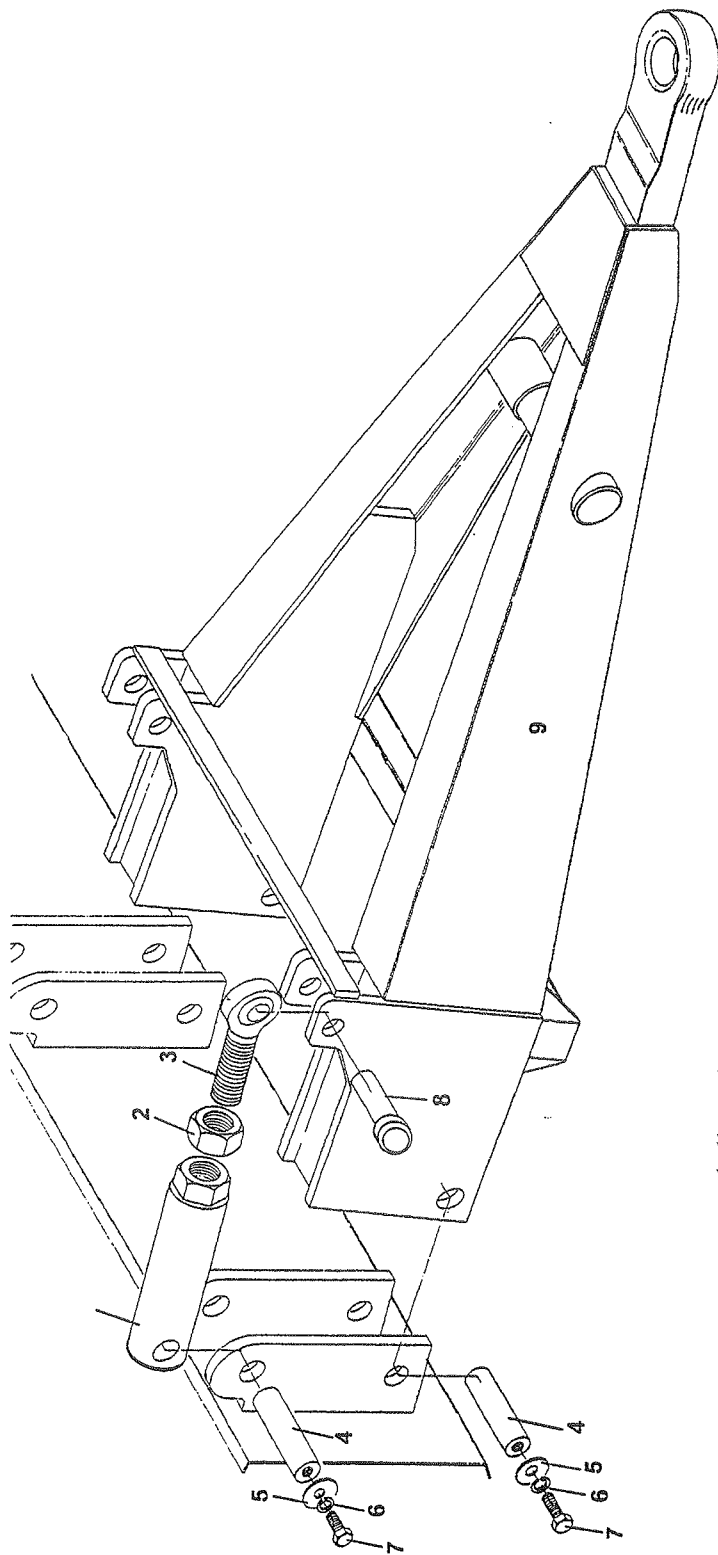


4. FLOOR CHAIN WITH DRIVE

BODEMKETTING MET AANDRIJVING

Drawing no.: 975.0019

<i>Fig.</i>	<i>SR-no.</i>	<i>Omschrijving</i>	<i>Description</i>
2	401.0107	Kogellager 6306-2RS	Ball bearing 6306-2RS
3	361.0119	Nilosring 6306-AV	Nilos ring 6306-AV
4	941.0086	Glandlagerhuis	Gland bearing housing
5	316.0904	Veerring 12 mm	Spring ring 12 mm
6	302.0615	Cilinderkopbout M12×35	Cylinder head bolt M12×35
7	402.0154	Steunlagerblok 45	Suspension bearing block 45
	402.0165	Steunlagerblok 50	Suspension bearing block 50
8	966.0001	Steunlagerhuis	Suspension bearing housing
9	303.0958	Spanbout M16	Tensioning bolt M16
10	315.0121	Spie 14×9×80	Feather key 14×9×80
11	968.0361	Transportkettingas	Transport chain pinion axle
12	355.0510	Hydromotor OMP-125	Hydro Motor OMP-125
13	315.0103	Spie 8×7×30	Feather key 8×7×30
14	351.0024	Zijkast Ø45 (zie blz. 19)	Side box Ø45 (page 19)
15	316.0917	Bolle veerring C12,5	Spring ring C12,5
16	302.0630	Cilinderkopbout M12×25	Cylinder head bolt M12×25
17	967.0581	Kettingspanner	Chain tensioner
18	301.0745	Bout M16×70	Bolt M16×70
19	925.0481	Klembus	Clamping bush
20	942.0029	Kettingspanwiel	Chain sprocket
21	313.0401	Seegersprengkring SB72	Seeger circlip-SB72
22	316.0901	Veerring 16 mm	Spring ring 16 mm
23	306.0702	Moer M16	Nut M16
24	969.1321	Bodemketting (Rapide 100)	Floor chain (Rapide 100)
	969.1322	Bodemketting (Rapide 130)	Floor chain (Rapide 130)
25	966.0069	Kettingstaaf 22/2	Chain rod 22/2
26	431.0122	Verbindingsschalm	Joining link
30	937.0995	Afsluitplaat (Rapide 130)	Closing plate (Rapide 130)
31	306.0306	Borgmoer M10	Locking nut M10
32	316.0705	Sluitring A10,5	Washer A10,5
33	303.0728	Slotbout M10×25	Bolt M10×25

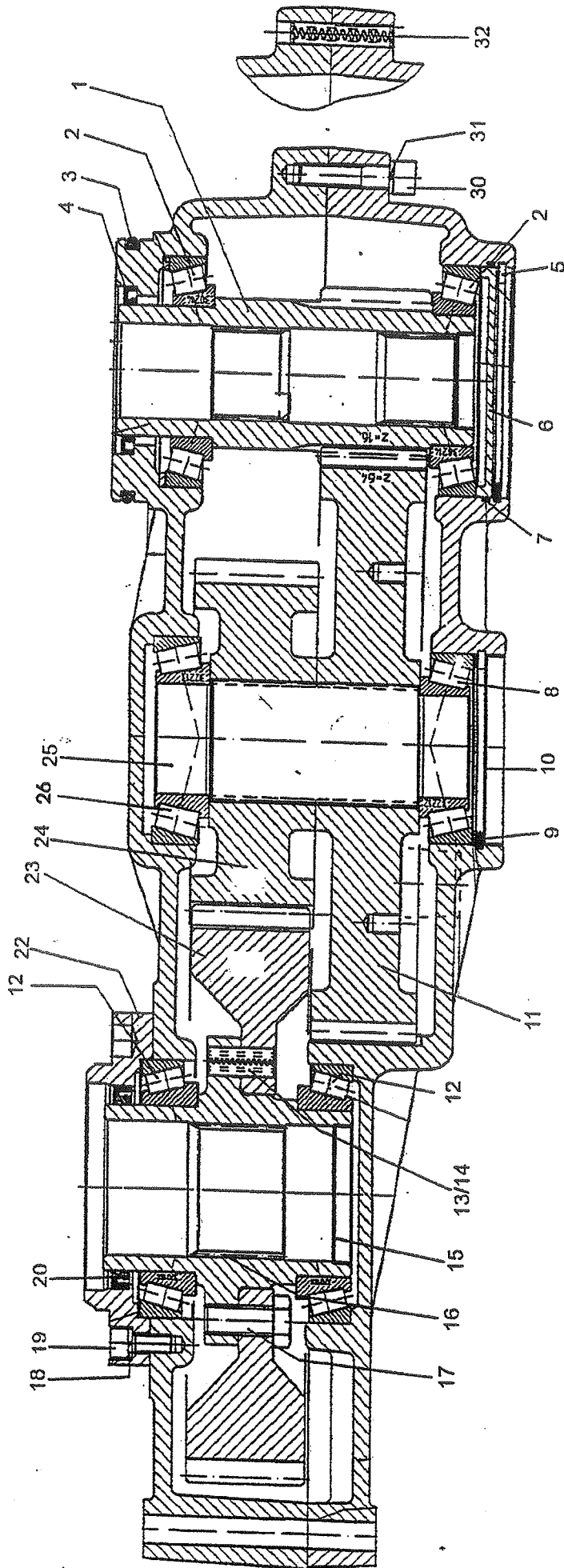


5. TOWBARS

TREKKOPPEN

Drawing no. 975.0005

<i>Fig.</i>	<i>SR-no.</i>	<i>Omschrijving</i>	<i>Description</i>
1	355.0773	Hydraulische cilinder	Hydr. Cylinder
1a	454.0808	Set afdichtingen	Set of seals
2	306.0716	Moer M39×3	Nut M39×3
3	401.0222	Stangkop GAR-40 DO	Rodend GAR-40 DO
4	920.0753	Scharnierpen-30	Pivoting -pin 30
5	316.0742	Sluitring 50/11-8	Washer 50/11-8
6	316.0906	Veerring 10 mm	Spring washer 10 mm
7	301.0805	Bout M10×25	Bolt M10×25
8	921.0077	Scharnieras-40	Hinge pin-40
9	968.0832	Trekkop KD/VO (Rap100)	Tow bar KD/VO (Rap100)
10	968.0833	Trekkop KD/DO incl. 11 (Rap.130)	Tow bar KD/DO incl.11 (Rap.130)
11	900.0231	Draaibaar trekoog (incl.12 en 13)	Revolving drawing eye (incl. 12 and 13)
12	306.0718	Moer M42×4,5	Nut M42×4,5
13	375.0139	Splitpen 8x90	Split pin 8x90

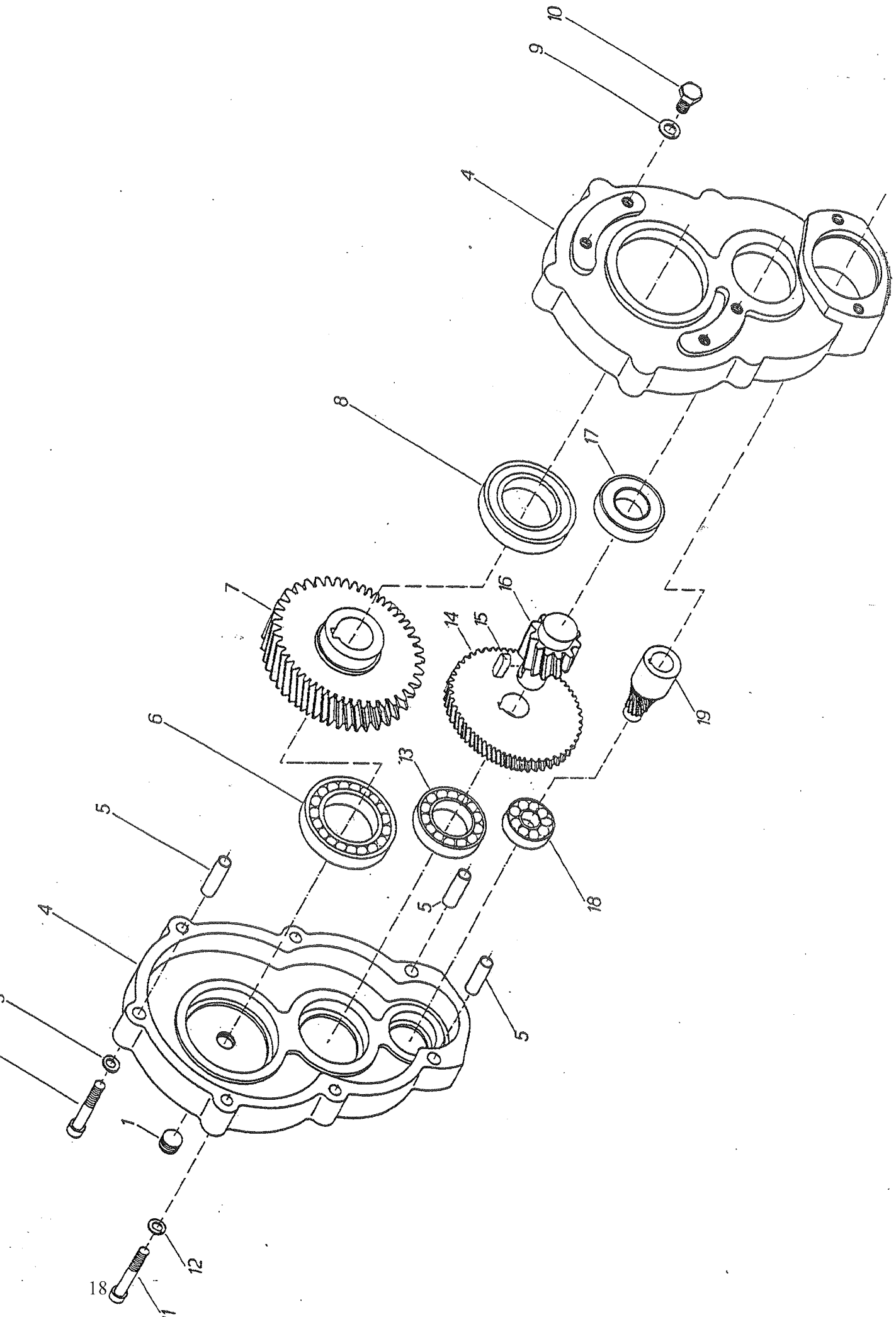


6. ROTOR GEARBOX.

ROTOR TANDWIELKAST

Article no. : 351.0074

<i>Fig.</i>	<i>SR-no.</i>	<i>Omschrijving</i>	<i>Description</i>
1	456.0066	Rondselas A50×45 Z=16	Pinion Z=16
2	401.0197	Kegellager 30214	Cone bearing 30214
3	365.0013	O-ring 130×5	O-ring 130×5
4	361.0138	Oliekeerring 70×90×7	Oil catcher 70×90×7
5	313.0218	Borgring I-125	Locking ring I-125
6	456.0071	Deksel-125	Cover-125
7	365.0015	O-ring 125×3	O-ring 125×3
8	401.0145	Kegellager 32212	Cone bearing 32212
9	313.0216	Borgring I-110	Locking ring I-110
10	349.0098	Deksel 110	Cover 110
11	456.0067	Tandwiel Z=64	Gear wheel Z=64
12	401.0149	Kegellager 32018	Cone bearing 32018
13	312.0136	Spanhuls 16×40	Clamping sleeve 16×40
14	312.0135	Spanhuls 10×40	Clamping sleeve 10×40
15	349.0092	Deksel 75	Cover 75
16	456.0069	Profielnaaf A72	Nave with splines A72
17	302.0644	Bout M16×1,5×40	Bolt M16×1,5×40
18	316.0906	Veerring 10 mm	Spring washer 10 mm
19	302.0601	Cilinderkopbout M10×25	Cylinder head bolt M10×25
20	361.0149	Oliekeerring 90×110×10	Oil catcher 90×110×10
22	456.0071	Lagerdeksel	Bearing cover
23	456.0303	Tandwiel Z=37-m8	Gear wheel Z=37-m8
24	456.0304	Tandwiel Z=23-m8	Gear wheel Z=23-m8
25	456.0073	Profielas	Shaft with splines
26	401.0195	Kegellager 32213	Cone bearing 32213
30	302.0642	Cilinderkopbout M12×45	Cylinder head bolt M12×45
	302.0643	Cilinderkopbout M12×55	Cylinder head bolt M12×55
	302.0616	Cilinderkopbout M12×100	Cylinder head bolt M12×100
31	316.0904	Veerring 12 mm	Spring washer 12 mm
32	312.0137	Spanhuls 12×60	Clamping sleeve 12×60
33	456.019	Ontluchtingsnippel M18×1,5	Air release plug M18×1,5
34	355.0279	Vulplug M18×1,5	Drain plug M18×1,5
35	456.0058	Aftapplug magn. M18×1,5	Drain plug magn. M18×1,5
36	364.0025	Dichtring 18×24×1,5	Sealing ring 18×24×1,5

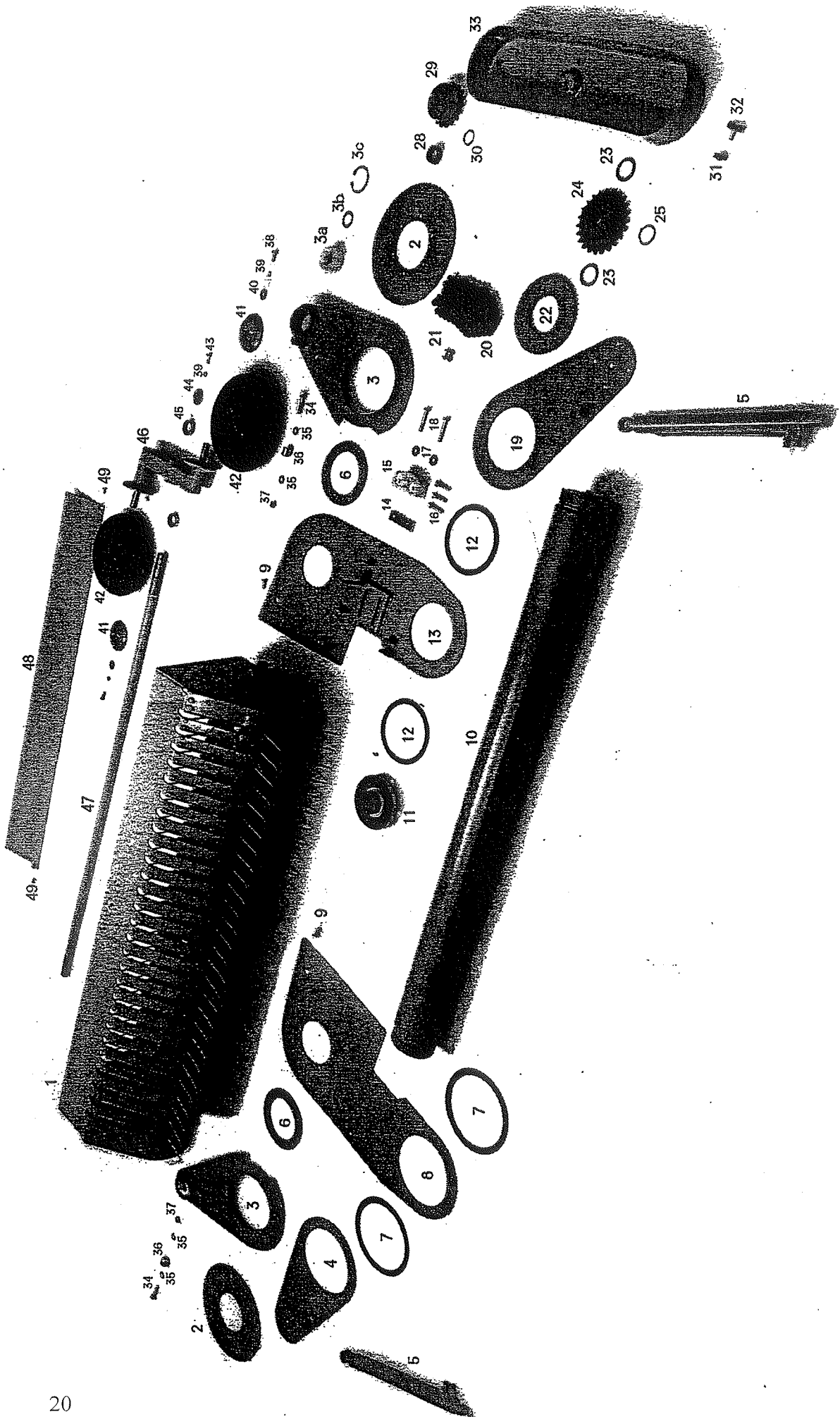


7. FLOOR DRIVING GEARBOX

BODEM-AANDRIJFKAST

Artikcle no. : 351.0024

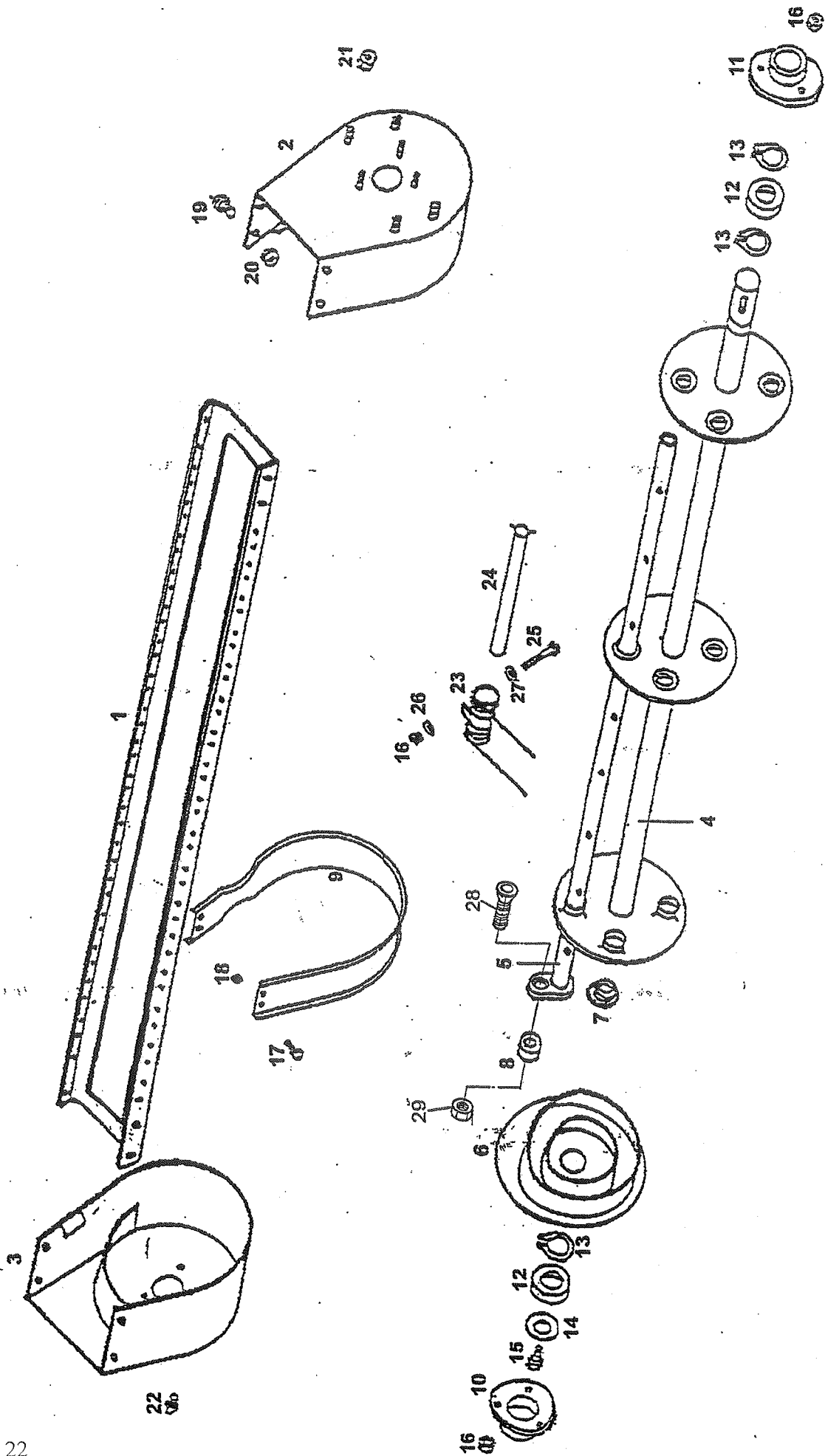
<i>Fig.</i>	<i>SR-no.</i>	<i>Omschrijving</i>	<i>Description</i>
1	381.0111	Draadstop M20×1,5	Screw plug M20×1,5
2	302.0013	Cilinderbout M10×65	Cylinder head bolt M10×65
3	316.0906	Veerring 10 mm	Spring washer 10 mm
4	450.0766	Tandwielkast (2-delig)	Gearcase (2-parts)
5	312.0127	Spanhuls 13×50	Clamping sleeve 13×50
6	401.0176	Kogellager 6013	Ball bearing 6013
7	456.0043	Tandwiel met gat Ø45	Gear wheel with hole Ø45
8	401.0177	Kogellager 6013-2RS	Ball bearing 6013-2RS
9	316.0917	Bolle veerring 12,5 mm	Spring washer 12,5 mm
10	301.0807	Bout M12×25	Bolt M12×25
11	302.0613	Cilinderkopbout M10×70	Cylinder head bolt M10×70
12	316.0705	Sluitring A 10,5	Washer A 10,5
13	401.0118	Kogellager 6009	Ball bearing 6009
14	450.0769	Tandwiel	Gear wheel
15	315.0103	Inlegspie 8×7×30	Key 8×7×30
16	450.0768	Tandrondsel	Pinion
17	401.0175	Kogellager 6207-2RS	Ball bearing 6207-2RS
18	451.0031	Kogellager 6304	Ball bearing 6304
19	450.0767	Tandas	Pinion



8. PICK-UP SUSPENSIO WITH DRIVE (5-ROWS)

PICK-UP OPHANGING MET AANDRIJVING (5-BALKS)

<i>Fig.</i>	<i>SR-no.</i>	<i>Omschrijving</i>	<i>Description</i>
1	433.0108	5-balks Pick-up compleet (zie blz.23)	Pick-up, 5 rows, complete (See page 23)
2	935.0425	Buitenschijf	Outer disc
3	968.0731	Loopwielplaat	Runner wheel plate
3a	402.0203	Glijlager N3536	Slide bearing N3536
3b	403.0129	Axiaalschijf AS 3552	Axial disc AS 3552
3c	313.0215	Binnenborgring	Locking ring, inside
4	961.0527	Rolplaat rechts Rap.100	Roller plate Right Rap.100
	961.0529	Pick-up hefplaat rechts Rap.130	Pick-up lifting plate right Rap.130
5	355.0792	Hydraulische cilinder (incl. 5a en b)	Hydr. cylinder (incl. a and b)
5a	402.0128	Glijlager 20/20	Slide bearing 20/20
5b	454.0810	Set afdichtingen t.o.v. 5	Set of seals for 5
6	934.0073	Binnenschijf	Inner disc
7	402.0208	U-glijlager 192	U-slide bearing 192
8	953.0731	Pick-up plaat 60-re.	Pick-up-Plate 60-right
9	303.0948	Pl. verzonken bout M10x30	Countersunk Bolt M10x30
10		Invoerrol (zie blz. 27)	Feed roller Rap.100 (See page 27)
11	900.0132	Flenslager RME 60/192	Flange bearing RME 60/192
12	402.0208	U-glijlager 192	U-slide bearing 192
13	953.0742	Pick-up plaat 60-li.	Pick-up-Plate 60-left
14	912.0671	Spanstrip TB-10	Tensioning strip TB-10
14a	302.0935	Spanbout M10x140	Tension bolt M10x140
15	353.0202	Spanblok-50	Tension block-50
17	316.0719	Sluitplaat 10,5 mm	Washer 10,5 mm
18	301.0726	Bout M10x60	Bolt M10x60
19	961.0526	Rolplaat links Rap.100	Roller plate left Rap.100
19a	961.0528	Pick-up hefplaat links Rap.130	Pick-up lifting plate left Rap.130
20	356.0128	Ketting ¾" - 77	Chain ¾" - 77
21	356.0129	Verbindingsschakel ¾"	Joining link ¾"
22	936.0809	Eindflens 60/8	End flange 60/8
24	953.0673	Kettingwiel ¾"-26 met breekbout	Chain wheel ¾" - 26 with shearing bolt
24a	900.0211	Breekbout M12x62	Shearing bolt M12x62
25	313.0121	Borgring A-60	Locking ring A-60
28	926.0164	Ring - 27	Ring - 27
29	353.0350	Kettingwiel ¾"-19/35x31	Chain wheel ¾" - 19/35x31
30	313.0105	Borgring A-35	Safety ring A-35
31	306.0359	Plaatmoer M8 zelfborgend	Self-locking plate nut M8
32	301.0801	Bout M8x16	Bolt M8x16
32a	316.0722	Sluitplaat 8,4 mm	Washer 8,4 mm
33	375.0501	Beschermkap	Protective cover
34	301.0715	Bout M12x45	Bolt M12x45
35	316.0702	Sluitring A13	Washer A13
36	921.0024	Aanslagnok	Stop boss
37	306.0302	Borgmoer M12	Locking nut M12
38	301.0809	Bout M10x20	Bolt M10x20
39	316.0906	Veerring 10 mm	Spring washer 10 mm
40	316.0715	Sluitring R 11	Washer R 11
41	934.0474	Afdekkapje buiten	Guard, outer
42	432.0790	Wiel 4.00x4-6 Pr.	Wheel 4.00x4-6 Pr.
43	301.0811	Bout M10x30	Bolt M10x30
44	316.0742	Sluitring 50/11-8	Washer 50/11-8
45	402.0141	Glijlager 35/20	Slide bearing 35/20
46	967.0432	Loopwielenarm	Runner wheel arm
47	920.0839	Loopwielenas	Runner wheel shaft
48	968.0343	Achterplaat	Back plate
49	303.0912	Pl. verzonken bout M8x20	Countersunk bolt M8x20

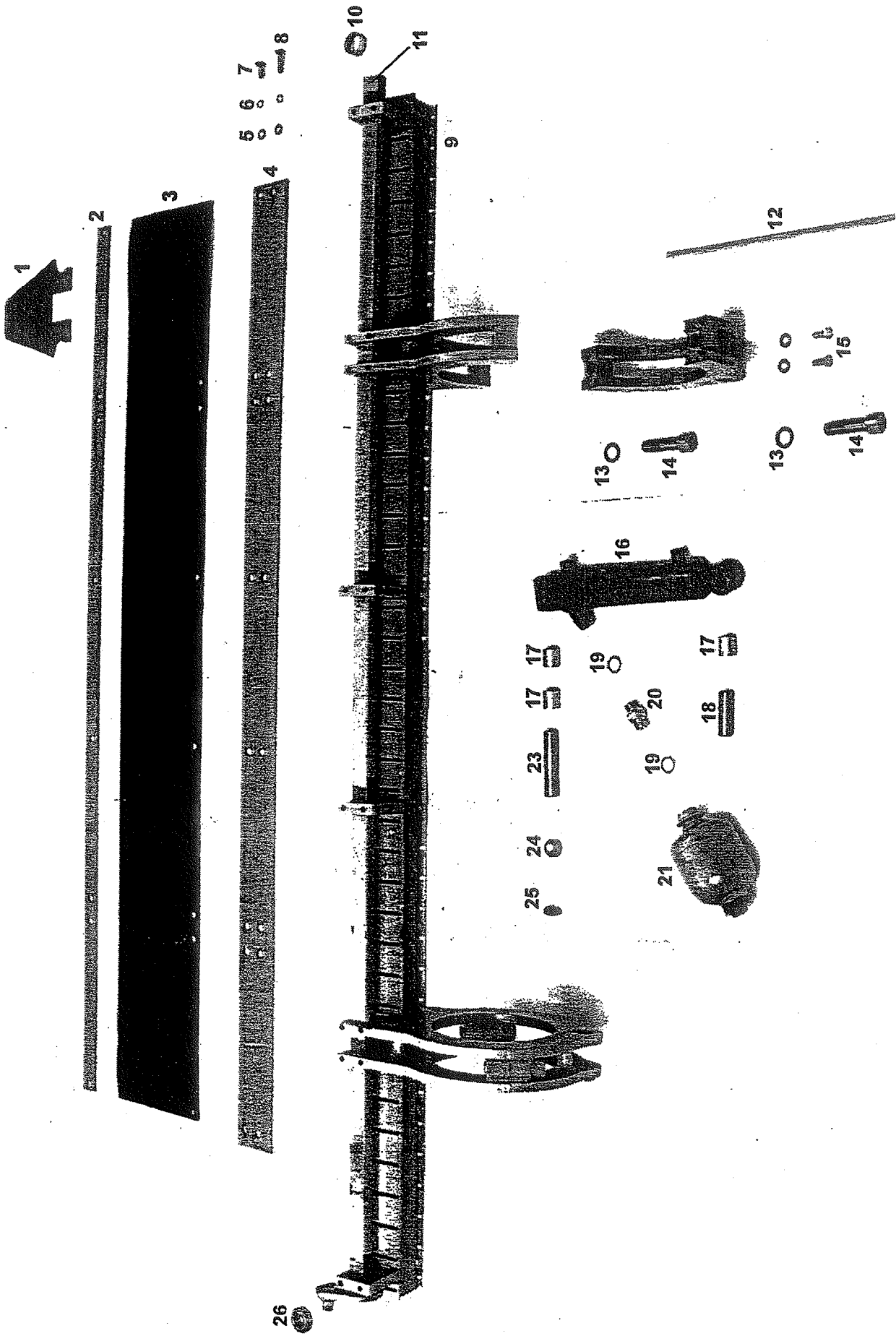


9. 5-ROWS PICK-UP

5-BALKS PICK-UP

Article no. complete pick-up: 433.0108

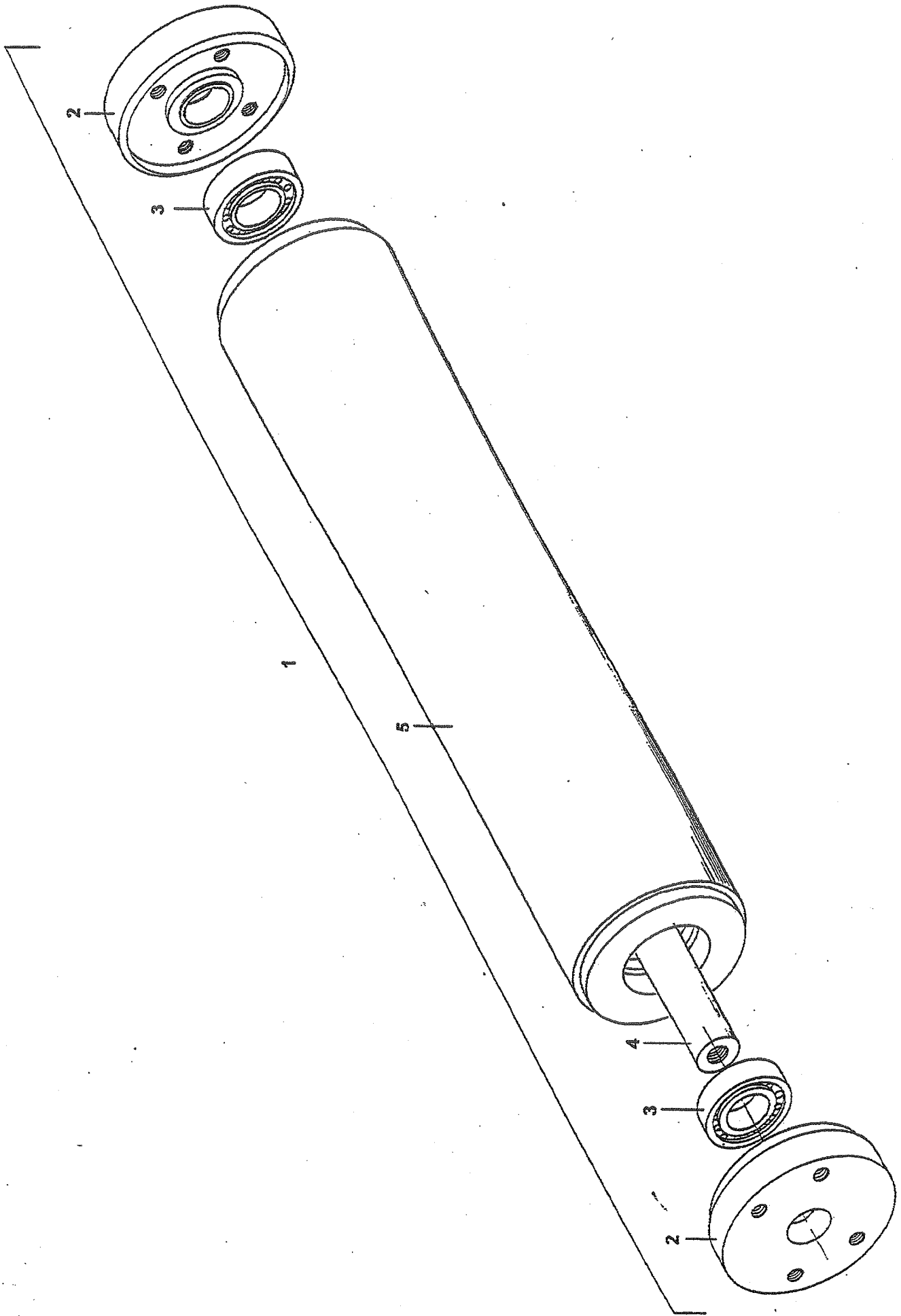
<i>Fig.</i>	<i>SR-no.</i>	<i>Omschrijving</i>	<i>Description</i>
1	-	Frame	Frame
2	458.0045	Eindkap links	End cover left
3	458.0046	Eindkap rechts	End cover right
4	458.0047	Aandrijfas	Drive shaft
5	458.0048	Veeras	Spring shaft
6	458.0049	Curve-plaat	Curve plate
7	450.0938	Nylonbus	Nylon sleeve
8	401.0216	Looprol LR-5201	Roller bearing LR-5201
9	458.0050	Geleidebeugel	Guide bracket
10	458.0054	Lagerhuis blind	Bearing housing
11	458.0055	Lagerhuis met gat	Bearing housing (with hole)
12	401.0175	Kogellager 6207-2RS	Ball bearing 6207-2RS
13	313.0105	Buitenborgring A35	Locking ring A35, outside
14	934.0236	Ring Ø10/40×3	Ring Ø10/40×3
15	301.0801	Bout M8×16	Bolt M8×16
16	306.0312	Borgmoer M8	Locking nut M8
17	301.0820	Bout M6×16	Bolt M6×16
18	306.0707	Moer M6	Nut M6
19	301.0809	Bout M10×20	Bolt 10×20
20	306.0701	Moer M10	Nut M10
21	306.0704	Moer M12	Nut M12
22	342.0103	Smeernippel M10×1-180	Grease nipple M10×1-180
23	458.0053	Pick-up tand	Pick-up tine
24	458.0051	Tandveerbuis	Tine spring tube
25	301.0747	Bout M8×50	Bolt M8×50
26	316.0713	Sluitring R9	Washer R9
27	458.0052	Klemstukje	Clamping piece
28	303.0930	Verz. Bout M12×40	Countersunk bolt M12×40
29	458.0068	Moer M12	Nut M12



10. CHOPPING DEVICE

SNIJ-INRICHTING

<i>Fig.</i>	<i>SR-no.</i>	<i>Omschrijving</i>	<i>Description</i>
1	433.0102	Mes	Knife
2	912.0605	Klemstrip voor messenbalk	Clamping strip for cutter bar
3	374.0175	Rubberen afdichtstrook	Rubber sealing
4	912.0604	Steunstrip	Support strip
5	316.0705	Sluitring A10,5	Washer A10,5
6	316.0906	Veerring 10 mm	Spring washer 10 mm
7	301.0809	Bout M10×20	Bolt M10×20
8	301.0805	Bout M10×25	Bolt M10×25
9	960.0248	Messenbalk (incl. 10 t/m 14)	Cutter bar (incl. 10 to 14)
10	402.0130	Glijlager 30/15	Slide bearing 30/15
11	967.0040	Messenborg-as	Knife-locking shaft
12	281.0010	Kunststof glijstrook 8×4	Plastic sliding strip 8×4
13	316.0919	Tandveerring J16,5	Toothed spring ring J16,5
14	302.0622	Cilinder kopbout M16×60	Cylinder head bolt M16×60
15	301.0801	Bout M8×16	Bolt M8×16
16	355.0791	Hydr. cilinder D25-50/138 (incl. 17)	Hydr. cylinder D20-40/138 (incl. 17)
	454.0813	Set afdichtingen t.b.v. 16	Set of seals for 16
17	402.0129	Glijlager 20/25	Slide bearing 20/25
18	920.0751	Scharnierpen	Pivoting pin
20	355.0142	Rechte fitting 1/2"	Straight fitting 1/2"
20a	355.0280	Sluitschroef 1/2"	Closing screw 1/2"
21	953.0716	Hydr. membraanaccu 80bar (incl. 20)	Hydr. accumulator 80bar (incl. 20)
	953.0717	Hydr. membraanaccu 120bar (incl. 20)	Hydr. Accumulator 120bar (incl. 20)
23	900.0379	Bout M20×155	Bolt M20×155
23a	926.0197	Busje L15	Buch L15
23b	306.0314	Borgmoer M20	Locking nut M20
24	306.0704	Moer M12	Nut M12
25	301.0804	Bout M12×35	Bolt M12×35
26	401.0201	Looprol LR 202 NPP	Roller bearing LR 202 NPP

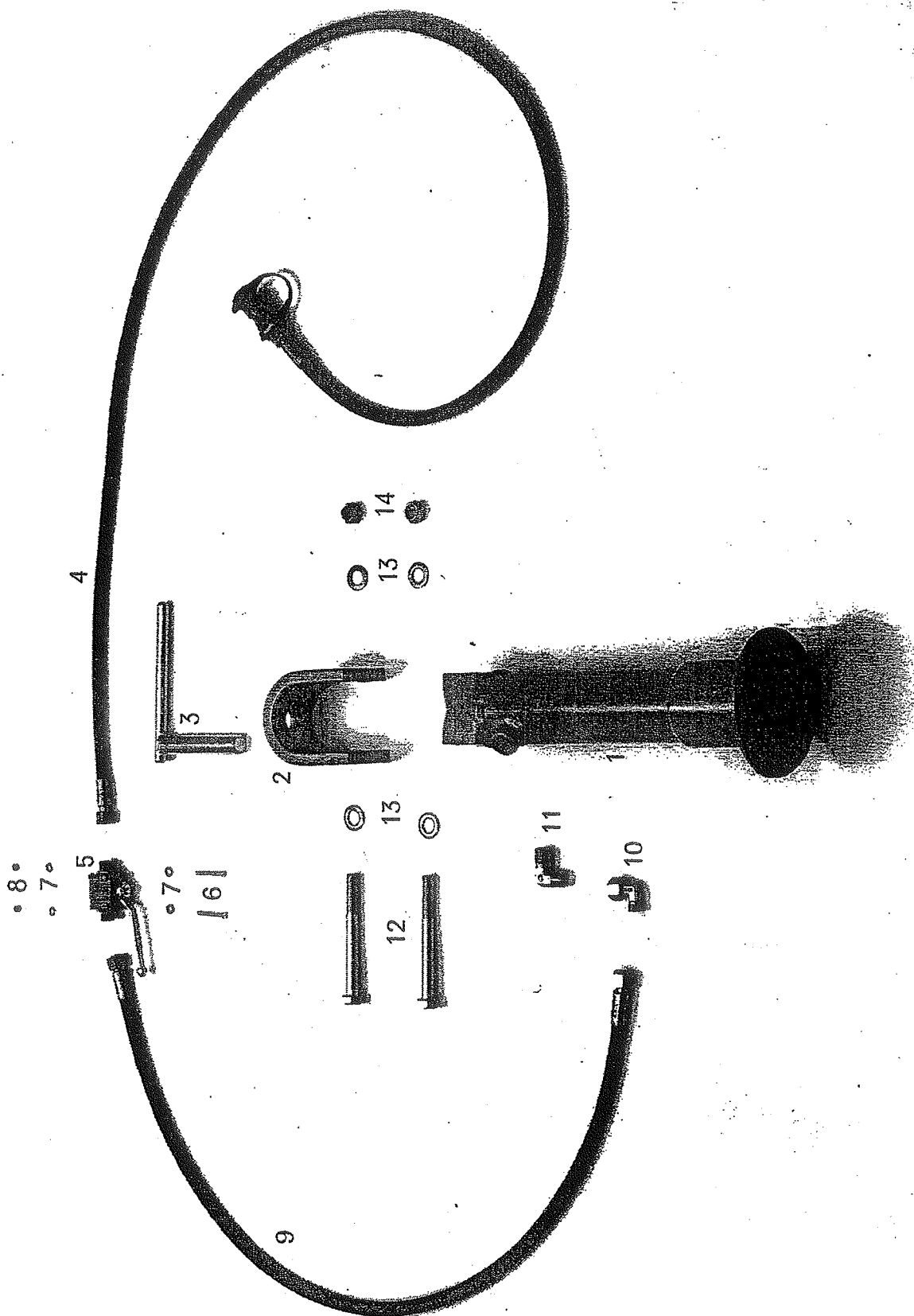


11. FEED ROLLER.

INVOERROL

Drawing no. 975.0010

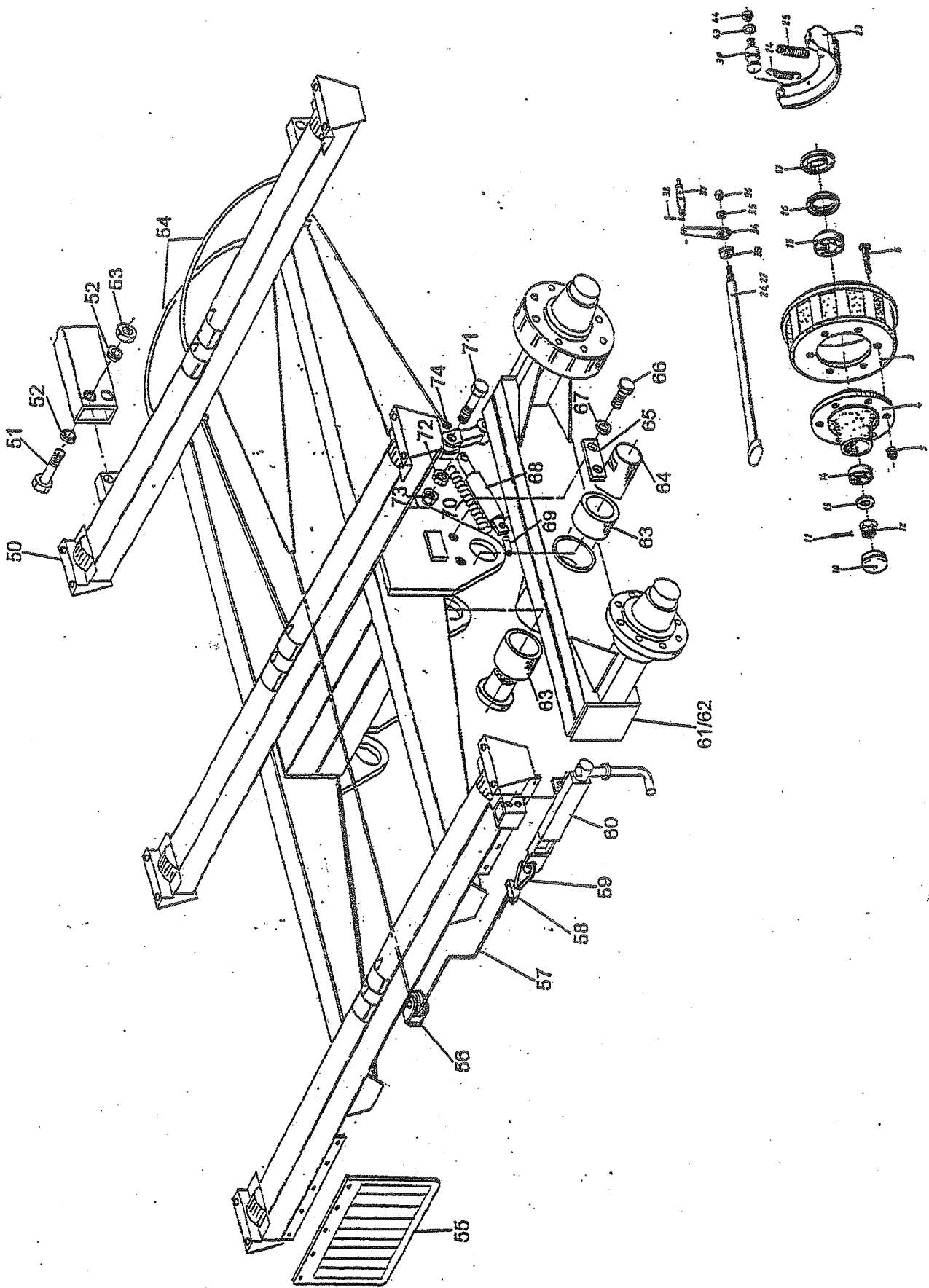
<i>Fig.</i>	<i>SR-no.</i>	<i>Omschrijving</i>	<i>Description</i>
1	953.0503	Invoerrol compleet Rap.100	Feed roller complete Rap. 100
	953.0574	Invoerrol compleet Rap.130	Feed roller complete Rap. 130
2	920.0799	Eindflens	End flange
3	401.0175	Kogellager 6207-2RS	Ball bearing 6207-2RS
4	920.0801	Rol as Rap.100	Roller shaft Rap. 100
	921.0055	Rol as Rap. 130	Roller shaft Rap. 130
5	967.0338	Invoerrol Rap. 100	Feed roller Rap. 100
	968.0734	Invoerrol Rap. 130	Feed roller Rap. 130



12. HYDRAULIC PARKING SUPPORT

HYDRAULISCHE STEUNPOOT

<i>Fig.</i>	<i>SR-no.</i>	<i>Omschrijving</i>	<i>Description</i>
1	967.0781	Steunpootcilinder	Parking support cylinder
1a	454.0059	Set afdichtingen t.b.v. 1	Set of seals for 1
2	911.0784	Scharnierstuk	Hinge piece
3	967.0780	Grendelpen	Locking pin
4	417.0406	Hydr. slang	Hydr. Hose
5	355.0667	Tweeweg kogelkraan NW10	Two-way ball valve NW10
6	303.0952	Cilinder kopschroef M5×45	Cylinder head screw M5×45
7	316.0730	Sluitring A5,3	Washer A5,3
8	306.0335	Borgmoer M5	Locking nut M5
9	417.0404	Hydr. slang	Hydr. Hose
10	355.0197	Instelbare haakse koppeling 12	Adjustable angle coupling 12
11	355.0124	Haakse koppeling	Angle coupling
12	301.0783	Bout M16×140	Bolt M16×140
13	316.0707	Sluitring A17	Washer A17
14	306.0303	Borgmoer M16	Locking nut M16

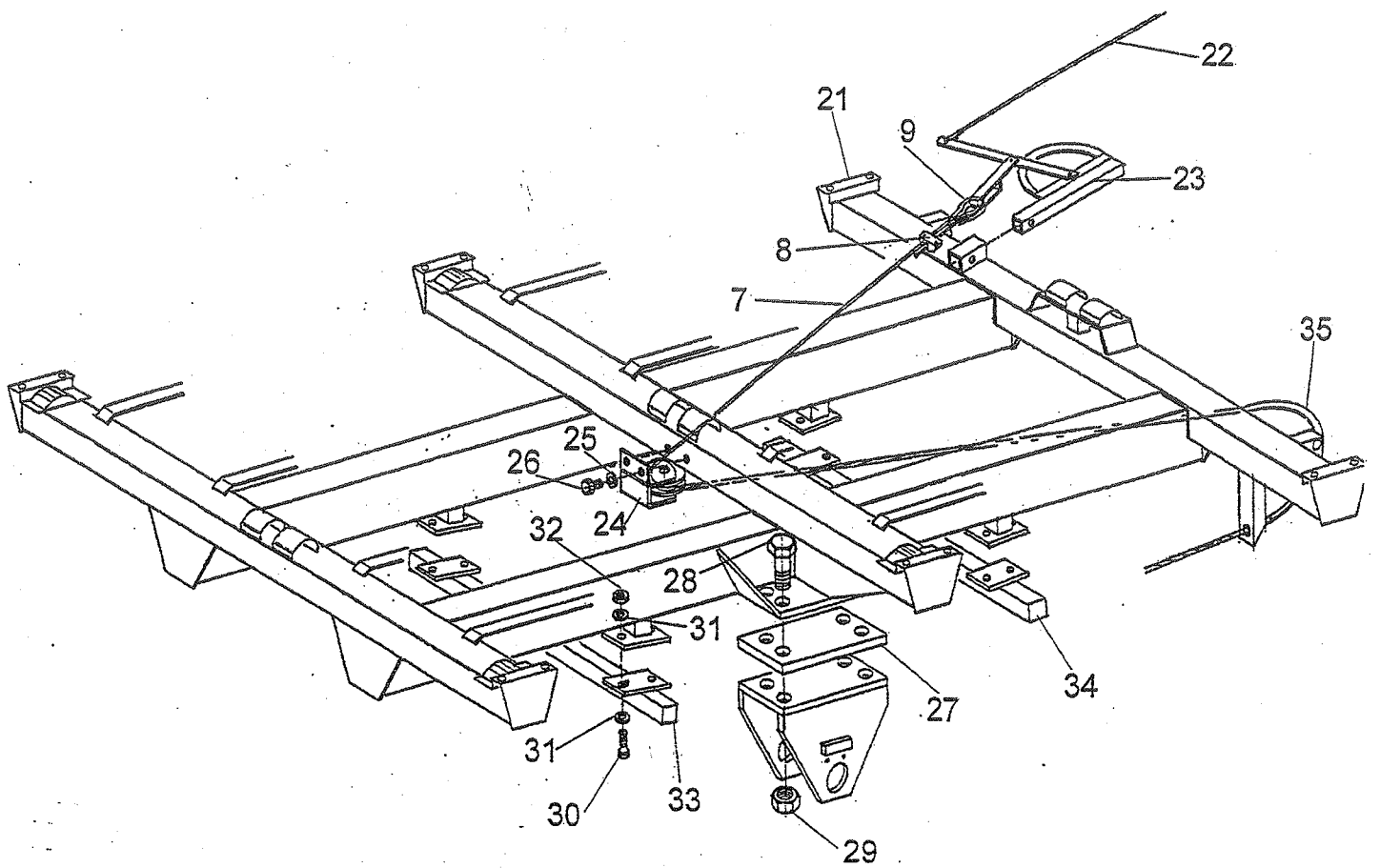
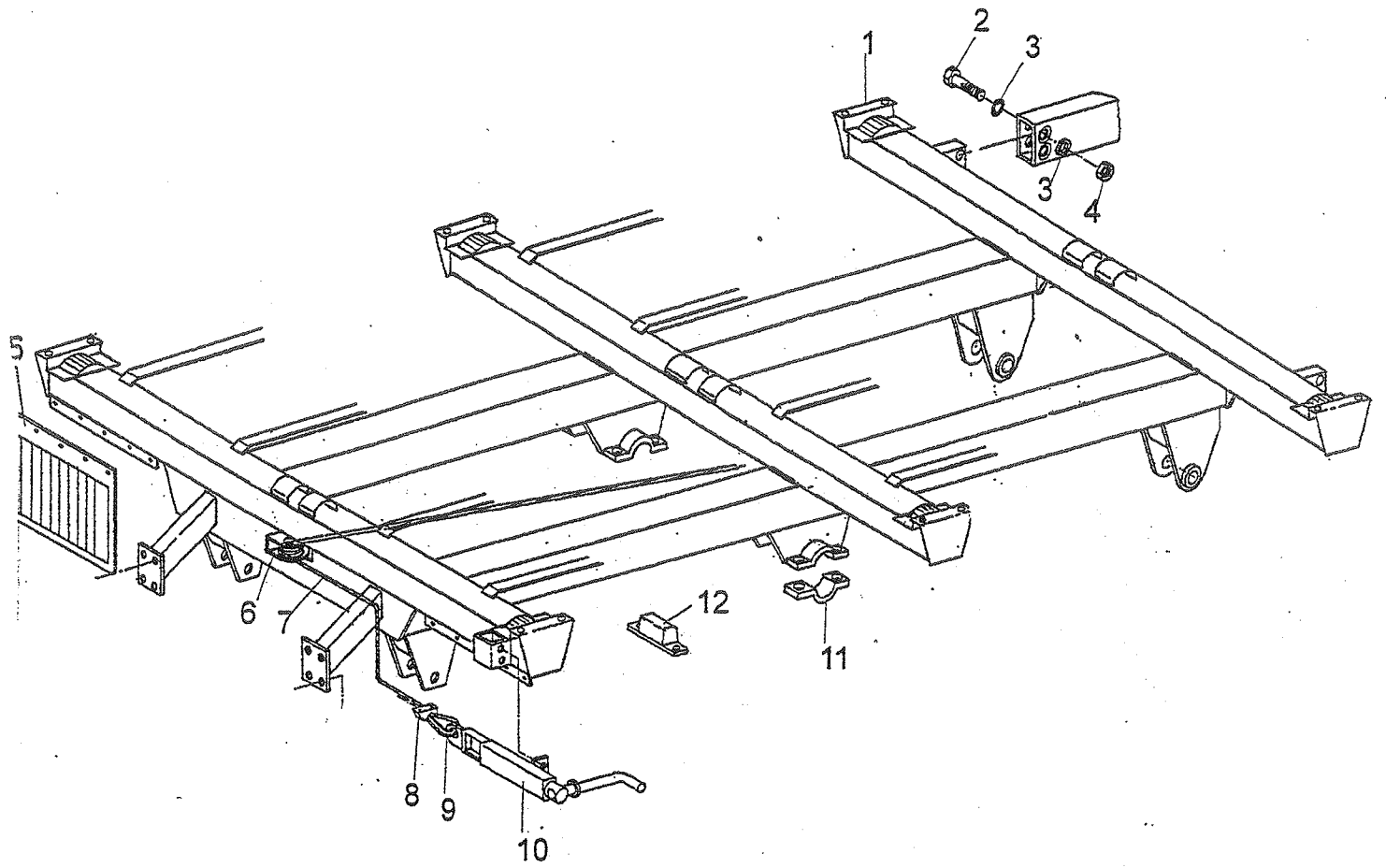


13. TANDEM FRAME TAP-BPW RAPIDE 100

TANDEMFRAME TAP-BPW RAPIDE 100

Drawing no.975.0026

<i>Fig.</i>	<i>SR-no.</i>	<i>Omschrijving</i>	<i>Description</i>
3	452.0042	Remtrommel 318-20	Brake drum 318-20
4	452.0041	Wielnaaf 7008-20	Wheel hub 7008-20
5	450.0835	Wielbout M20×54	Wheel bolt M20×54
	450.0629	Wielbout M20×70	Wheel bolt M20×70
9	450.0417	Wielmoer M20	Wheel nut M20
9a	450.0631	Conische Veerring 20mm	Conical spring ring 20mm
10	450.0634	Naafdop 90mm	Hub cap 90mm
11	375.0124	Splitpen 6mm	Split pin 6mm
12	306.0317	Kroonmoer M36×1,5	Castle nut M36×1,5
13	316.0739	Schijf 37mm	Disc 37mm
14	450.0319	Kegellager 30210	Cone bearing 30210
15	401.0147	Kegellager 32014	Cone bearing 32014
16	452.0011	Vetkeerring 32014	Oil catcher 32014
17	452.0010	Steunring 32014	Supporting ring 32014
24	450.0274	Trekveer	Draw spring
25	450.0531	Trekveer	Draw spring
26	452.0xxx	Remas	Brake shaft
34	967.0805	Remhefboom	Brake lever
39	452.0021	Rembout 318	Brake bolt 318
43	316.0918	Veerring 24mm	Spring washer 24mm
44	306.0717	Moer M24×1,5	Nut M24×1,5
50	961.0935	Tandemframe TAP	Tandem frame TAP
51	301.0771	Bout M20×90	Bolt M20×90
52	316.0311	Conische veerring 20mm	Conical spring ring 20mm
53	306.0706	Moer M20	Nut M20
55	374.0167	Spatlap 500×400	Mud quard 500×400
61	435.0932	Pendelarm 1050-Li.	Oscillating lever 1050-Left
62	435.0933	Pendelarm 1050-Re.	Oscillating lever 1050-Right
63	450.0950	Glijlagerbus	Slide-bearing bush
64	435.0907	Pendelas	Oscillating axle
65	435.0908	Borgplaat	Locking plate
66	301.0825	Bout M16×30	Bolt M16×30
67	316.0901	Veerring 16mm	Spring washer 16mm
68	355.0774	Remcilinder	Brake cylinder
68a	454.0802	Set afdichtingen	Set of seals
69	312.0113	Spanstift 6mm	Clamping pin
70	331.0106	Trekveer	Draw spring
71	301.0759	Bout M16×80	Bolt M16×80
72	306.0702	Moer M16	Nut M16
73	306.0303	Borgmoer M16	Locking nut M16

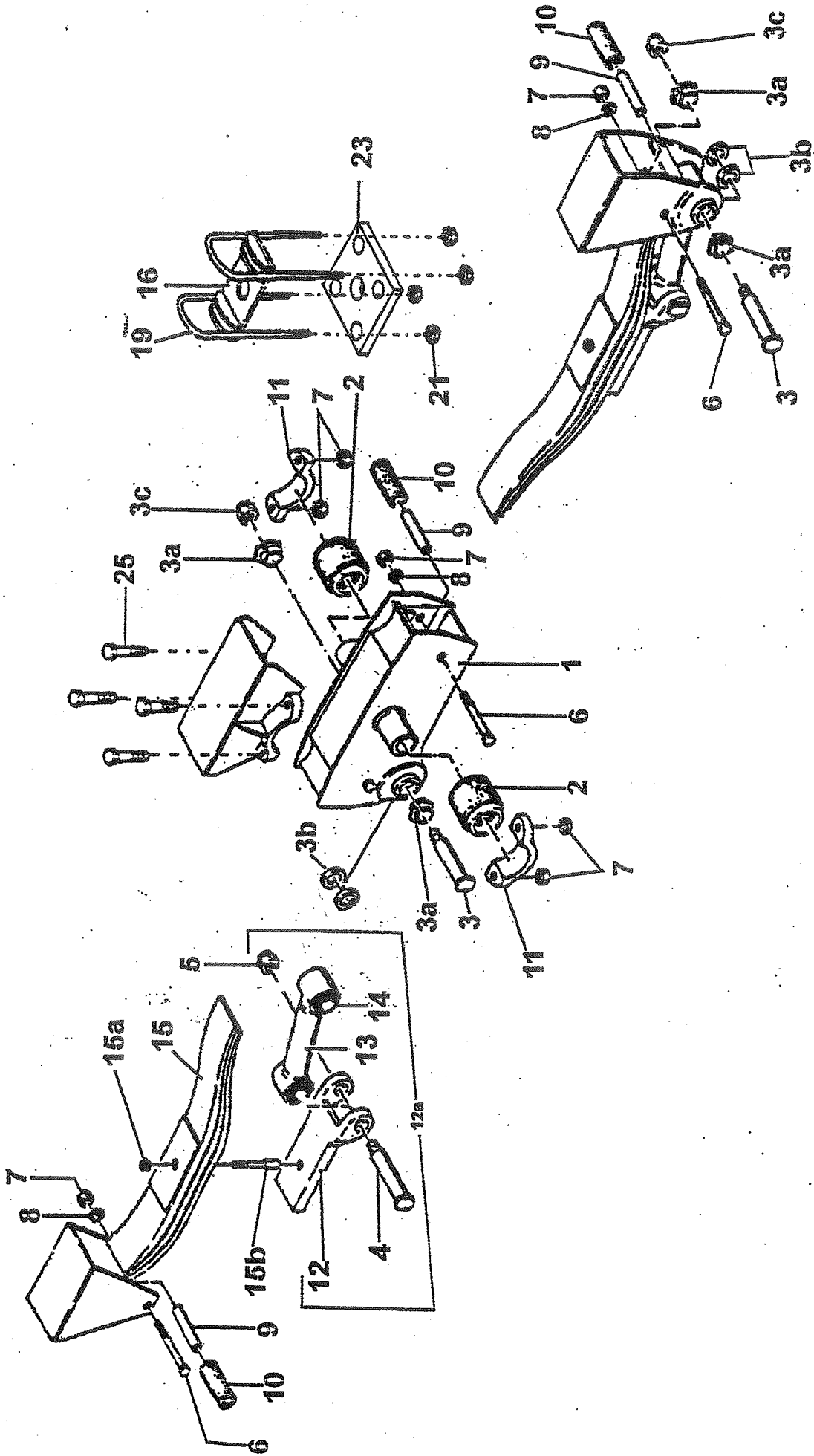


14. TANDEM FRAME RAPIDE 130

TANDEMFRAME RAPIDE 130

Drawing no.975.0027

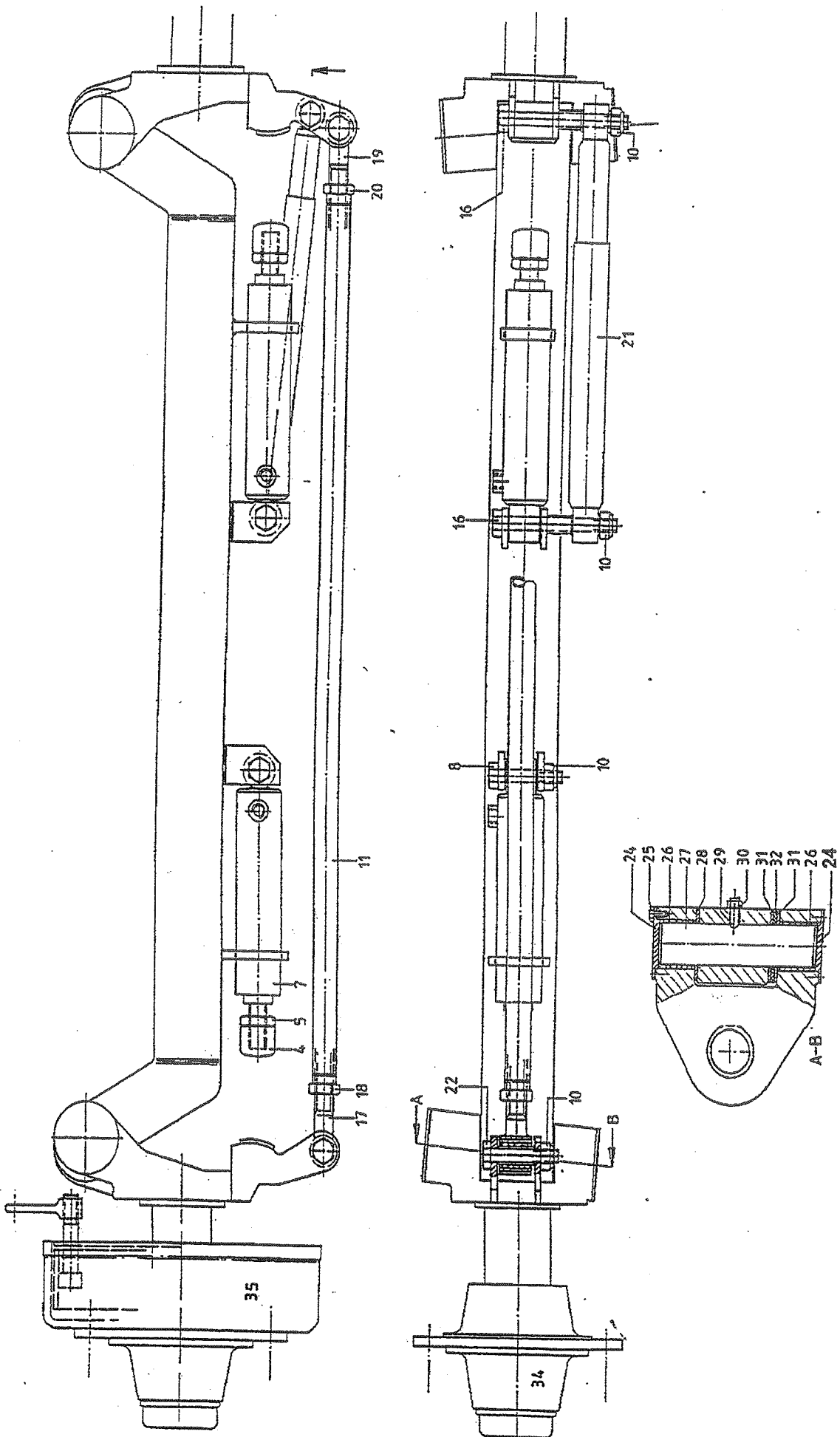
<i>Fig.</i>	<i>SR-no.</i>	<i>Omschrijving</i>	<i>Description</i>
1	961.0131	Tandemframe	Tandem frame
2	301.0771	Bout M20×90	Bolt M20×90
3	316.0311	Conische veerring 20mm	Conical spring ring 20mm
4	306.0706	Moer M20	Nut M20
5	374.0167	Spatlap 500×400	Mud quard 500×400
11	462.0555	Lagerschaal	Bearing cup
12	376.0158	Rubber aanslagblok	Bumpstop
21	961.0110	Tandemframe	Tandemframe
28	301.0790	Bout M24x2-75	Bolt M24x2-75
29	306.0333	Borgmoer M24x2	Locking nut M24x2
30	301.0804	Bout M12x35	Bolt M12x35
31	316.0702	Sluitring A13	Washer A13
32	306.0302	Borgmoer M12	Locking nut M12
33	961.0747	Pendelstop-achter	Bumpstop-rear
34	961.0747	Pendelstop-achter	Bumpstop-front



15. GIGANT SPRING ASSEMBLIES

GIGANT VEERSTELLEN

<i>Fig.</i>	<i>SR-no.</i>	<i>Omschrijving</i>	<i>Description</i>
1	462.0513	Pendelstuk	Oscillating piece
2	450.0925	Rubberbus	Rubber bushing
3	462.0538	Excenterbout (incl.3a, b en c)	Eccentric bolt (incl. 3a, band c)
4	450.0926	Veerbout M27×1,5 (incl. 5)	Suspension bolt (incl. 5)
5	450.0927	Moer M27×1,5	Nut M27×1,5
6	301.0716	Bout M16×130	Bolt M16×130
7	306.0303	Borgmoer M16	Locking nut M16
8	316.0707	Sluitring A17	Sealing ring A17
9	926.0273	Buisje L=96	Bush L=96
10	462.0556	Rubberrol L=80	Rubber roller L=80
11	462.0555	Lagerschaal middenstoel	Bearing cup middle block
12	-	Veertrekplaat	Spring drawing plate
12a	462.0531	Trekveearm 80/244 Rap.100	Draw spring arm 80/244 Rap.100
	462.0430	Trekveearm 80/353 Rap.130	Draw spring arm 80/353 Rap.130
13	-	Veertrekarm (incl. 14)	Spring draw arm (incl. 14)
14	450.0944	Rubberbus	Rubber bushing
15	462.0521	Veerpakket 80/1200 Rap.100	Spring assembly 80/1200 Rap.100
	462.0520	Veerpakket 80/1400 Rap.130	Spring assembly 80/1400 Rap.130
16	968.0372	Veerplaat 80/100 Rap.100 en 130	Spring plate 80/100 Rap.100 and 130
19	462.0542	Veerstrop M20×320 Rap.100 en 130	Spring U-bolt M20×320 Rap.100 and 130
21	462.0551	Borgmoer M20×2,5 Rap.100 en 130	Locking nut M20×2,5 Rap.100 and 130
23	912.0172	Veer-asplaat 80/100 Rap.100 en 130	Spring axle plate 80/100 Rap.100 and 130
25	301.0745	Bout M16×70	Bolt M16×70

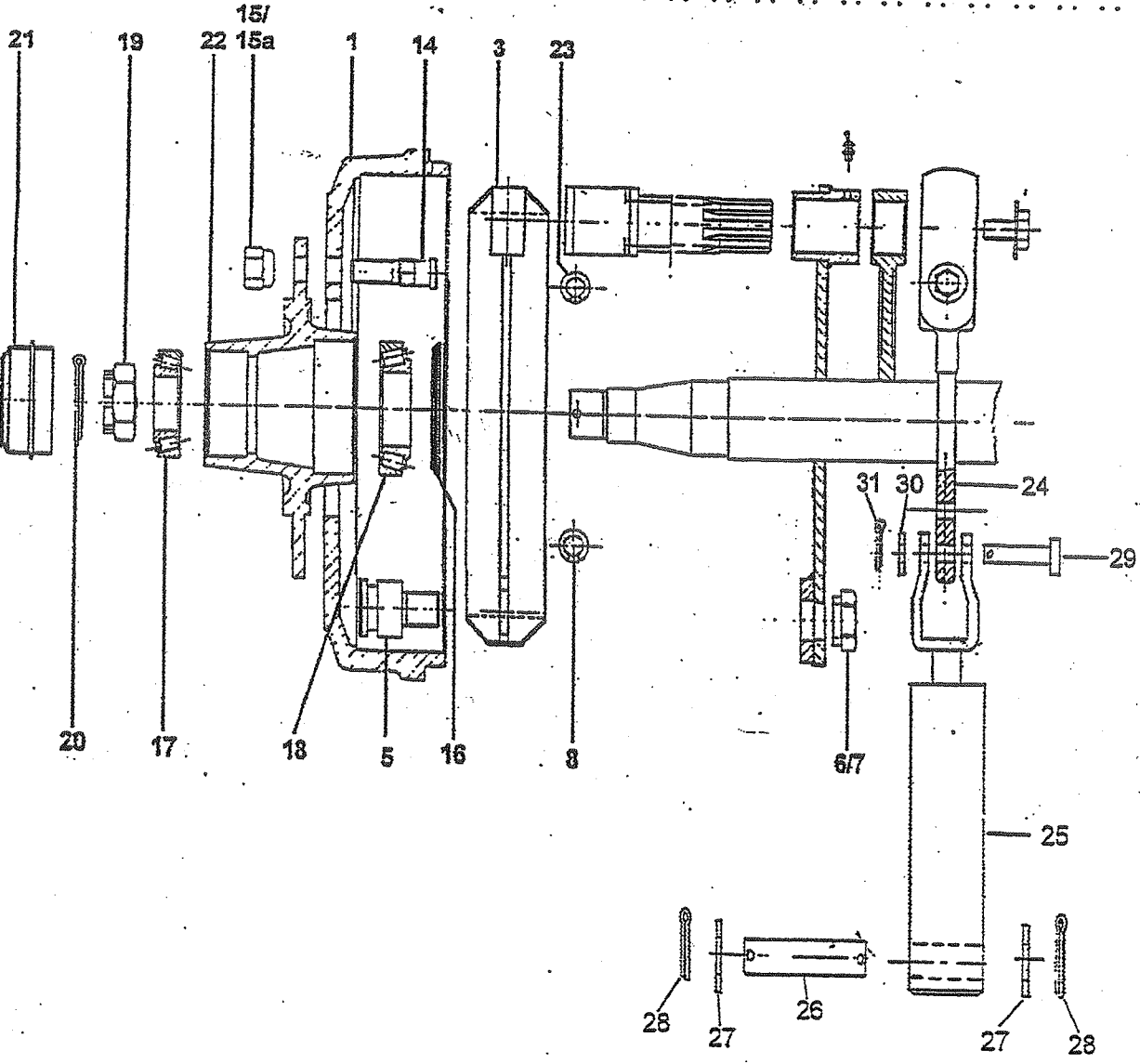
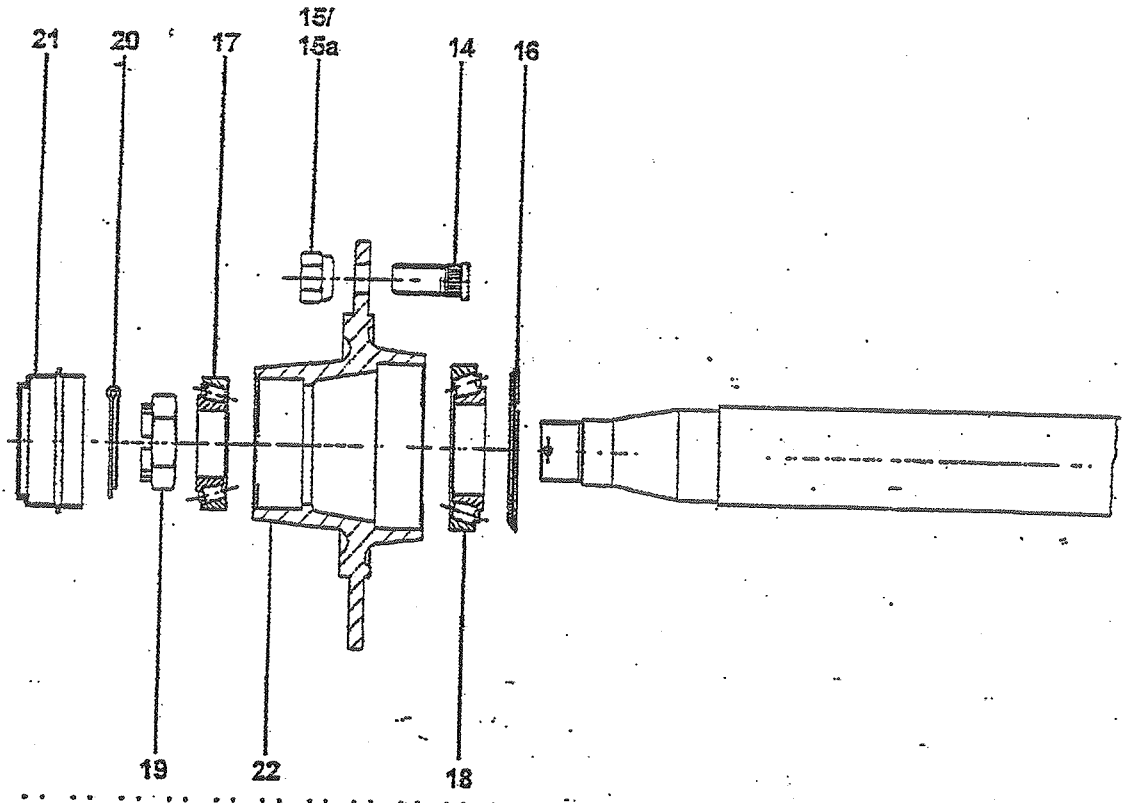


16. TRACK FOLLOWING WHEEL AXLE RAPIDE 130.

MEELOPEND GESTUURDE WIELAS RAPIDE 130

Drawing no. 975.0014

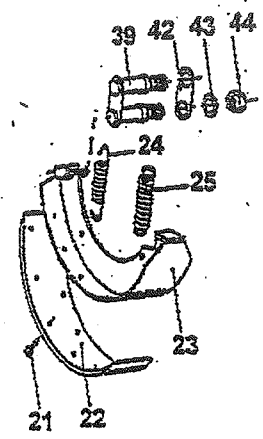
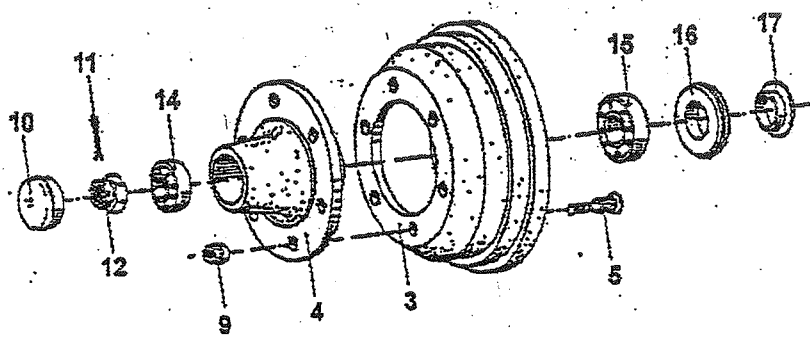
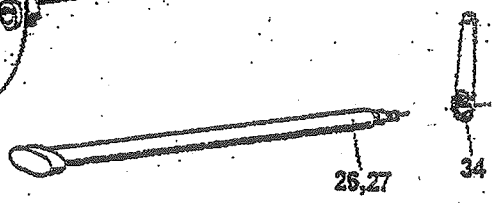
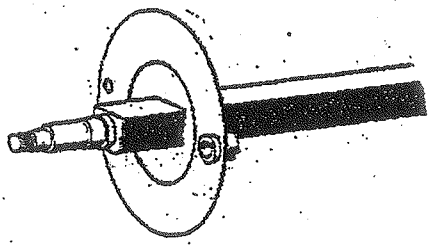
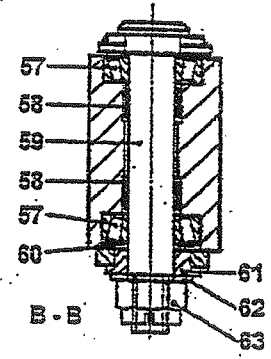
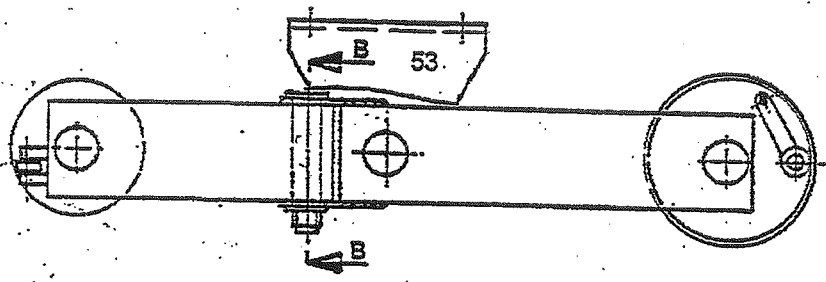
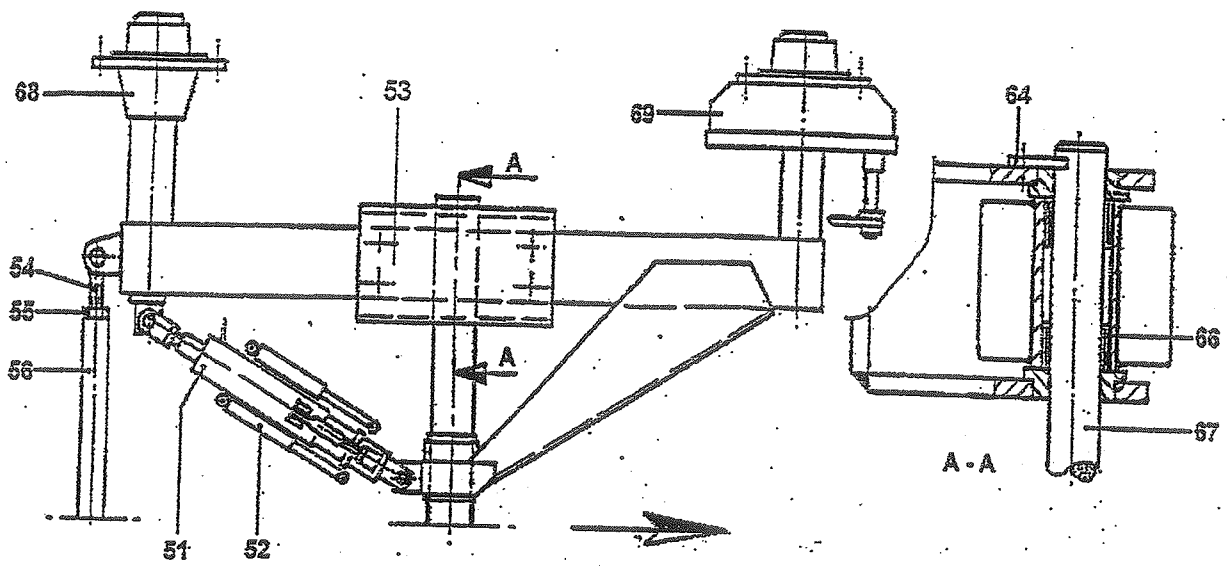
<i>Fig.</i>	<i>SR-no.</i>	<i>Omschrijving</i>	<i>Description</i>
1	435.0800	Volg-as 10898 Rap.130	Track-following axle 10898 Rap.130
4	452.0405	Dopmoer M27×3	Capped nut M27×3
5	306.0368	Moer M27×3	Nut M27×3
7	452.0404	Arreteercilinder	Stop-motion cylinder
8	301.0781	Bout M20×130	Bolt M20×130
10	306.0314	Borgmoer M20	Locking nut M20
16	301.0795	Bout M20×190	Bolt M20×190
17	452.0396	Draadeind M30×3,5L (incl. 17a)	Threaded end M30×3,5L (incl. 17a)
17a	452.0398	Elastische lagerbus 20 / 38	Elastic bearing bush 20 / 38
18	306.0361	Moer M30×3,5L	Nut M30×3,5
19	452.0397	Draadeind M30×3,5R (incl. 17a)	Treaded end M30×3,5R (incl. 17a)
20	306.0362	Moer M30×3,5R	Nut M30×3,5R
21	452.0406	Schokdemper	Shock absorber
22	301.0771	Bout M20×90	Bolt M20×90
24	452.0395	Sluitdeksel	Cover
25	301.0806	Bout M8×20	Bolt M8×20
26	452.0391	Lagerbus	Bearing bush
27	452.0390	Fusee-as	Swivel pin shaft
28	452.0393	Axiaalschijf	Axial disc
29	304.0115	Stelschroef M16×30	Setting screw M16×30
30	306.0702	Moer M16	Nut M16
31	452.0394	Vulschijf	Filler disc
32	452.0393	Axiaalschijf	Axial disc
33	301.0835	Bout M8×30	Bolt M8×30
	-	Asstomp (zie blz. 39)	Shaft end (See page 39)



17. WHEEL AXLES ADR RAPIDE 130 (TYPE 898 BRAKE 400x80)

WIELASSEN ADR RAPIDE 130 (TYPE 898 REM 400x80)

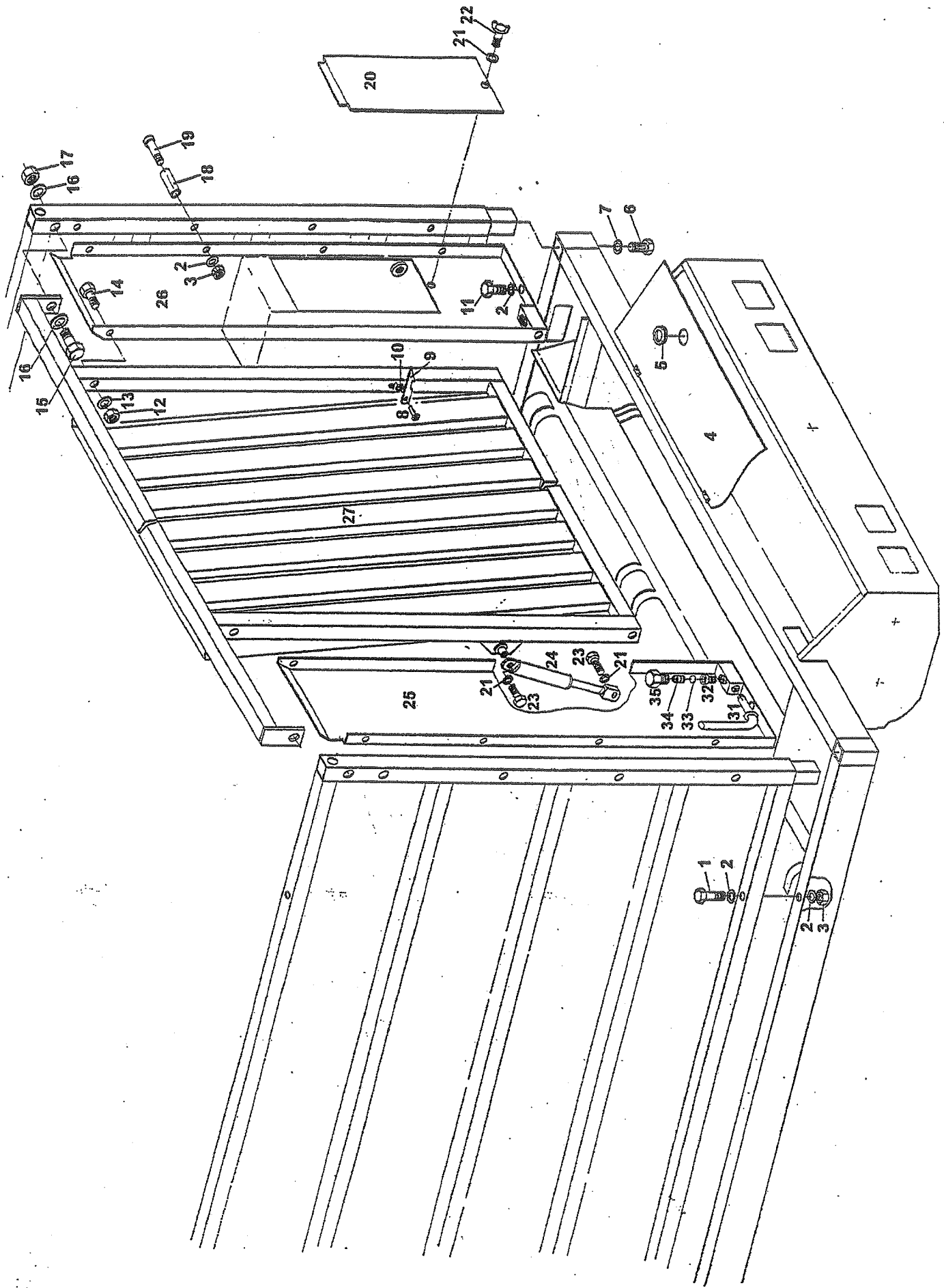
<i>Fig.</i>	<i>SR-no.</i>	<i>Omschrijving</i>	<i>Description</i>
1	452.0326	Remtrommel 400x80	Brake drum 400x80
3	452.0338	Remschoen 400x80	Brake shoe 400x80
6	316.0918	Veerring 24 mm	Spring ring 24 mm
7	306.0717	Moer M24x1,5	Nut M24x1,5
8	452.0343	Trekveer 400x80	Draw spring 400x80
14	450.0629	Wielbout M20x1,5 L=70	Wheel bolt M20x1,5 L=70
15	450.0630	Wielmoer M20x1,5	Wheel nut M20x1,5
15a	450.0631	Bolle veerring 20 mm	Spring ring 20 mm
16	452.0366	Dichtring	Sealing ring
17	401.0268	Kegellager buiten 32214	Cone bearing outside 32214
18	401.0250	Kegellager binnen 32217	Cone bearing inside 32217
19	452.0359	Kroonmoer M48x1,5/80	Castle nut M48x1,5/80
20	375.0142	Splitpen 4x80	Split 4x80
21	452.0356	Naafdop Ø125 - schroefbevestiging	Hub cap Ø125 - screw fastening
22	452.0317	Wielnaaf	Radnabe
23	452.0343	Trekveer	Draw spring
24	452.0385	Remhefboom 32	Brake lever 32
25	452.0402	Remcilinder 25mm	Brake cylinder
26	920.0673	Scharnierpen 20mm	Pivoting pin 20mm
27	316.0725	Sluitring A21	Washer A21
28	375.0118	Splitpen 5x30	Split pin 5x30
29	349.0076	Pen 14mm	Pin 14mm
30	316.0741	Sluitring A15	Washer A15
31	375.0122	Splitpen 3x25	Split 3x25



18. TANDEM BPW TAL (RAPIDE 130)

TANDEM BPW TAL (RAPIDE 130)

<i>Fig.</i>	<i>SR-nr.</i>	<i>Omschrijving</i>	<i>Benennung</i>
1	435.0921	Pendel tandem TAL 18/1300-8/2	Rocker suspension TAL 18/1300-8/2
3	450.0650	Remtrommel 408/8	Brake drum 408/8
4	450.0834	Wielnaaf 8008-1	Wheel hub 8008-1
5	450.0835	Wielbout M20×1,5-54 Ongeremd	Wheel bolt M20×1,5-52
	450.0620	Wielbout M20×1,5-60 Geremd	Wheel bolt M20×1,5-64
9	450.0630	Wielmoer M20×1,5	Wheel nut M20×1,5
9a	450.0631	Bolle veerring 20 mm	Conical springring 20 mm
10	450.0840	Naafdop ø120	Hub cap ø120
11	375.0139	Splitpen 8×90	Split pin 8×90
12	450.0839	Kroonmoer M52×2	Castle nut M52×2
14	401.0195	Kegellager buiten 32213	Cone bearing 32213
15	401.0196	Kegellager binnen 32215	Cone bearing 32215
16	452.0052	Vetkeerring 30215	Oil catcher 32215
17	452.0012	Steunring 30215	Supporting ring 30215
23	450.0530	Remschoen 408	Brake shoe with lining 408
24	450.0274	Trekveer licht	Draw spring light
25	450.0531	Trekveer zwaar	Draw spring heavy
39	452.0043	Rembout-dubbel	Brake bolt
42	452.0044	Klemplaat	Clamp
43	316.0918	Veerring 24 mm	Spring ring 24 mm
44	306.0320	Moer M24×1,5	Nut M24×1,5
51	452.0100	Arreteercilinder	Stop cylinder
52	452.0101	Schokdemper	Shock absorber
53	452.0110	Pendelbok	Oscillatingconsole
54a	401.0266	Stangkop GAKFR 20 PW	Rod end GAKFR 20 PW
54b	401.0265	Stangkop GAKFL 20 PW	Rod end GAKFL 20 PW
55a	306.0369	Lage moer M20×1,5 li.	Nut M20×1,5 li.
55b	306.0370	Lage moer M20×1,5 re.	Nut M20×1,5 re.
57	450.0298	Kegellager 32211	Cone bearing 32211
58	452.0103	Lagerbus	Slide bearing
59	452.0104	Scharnicras	Hinge bolt
60	452.0105	Nilosring	Nilos ring
61	452.0106	Steunring	Supporting ring
62	452.0107	Schijf	Disc
63	306.0317	Kroonmoer M36×1,5	Castle nut M36x1,5
64	435.0908	Borgplaat	Locking plate
66	450.0950	Glijlager	Slide bearing
67	452.0111	Pendelas	Swing axle
68	-	Asstomp Ongeremd	Schaft end unbraket
69	-	Asstomp Geremd	Schaft end braket

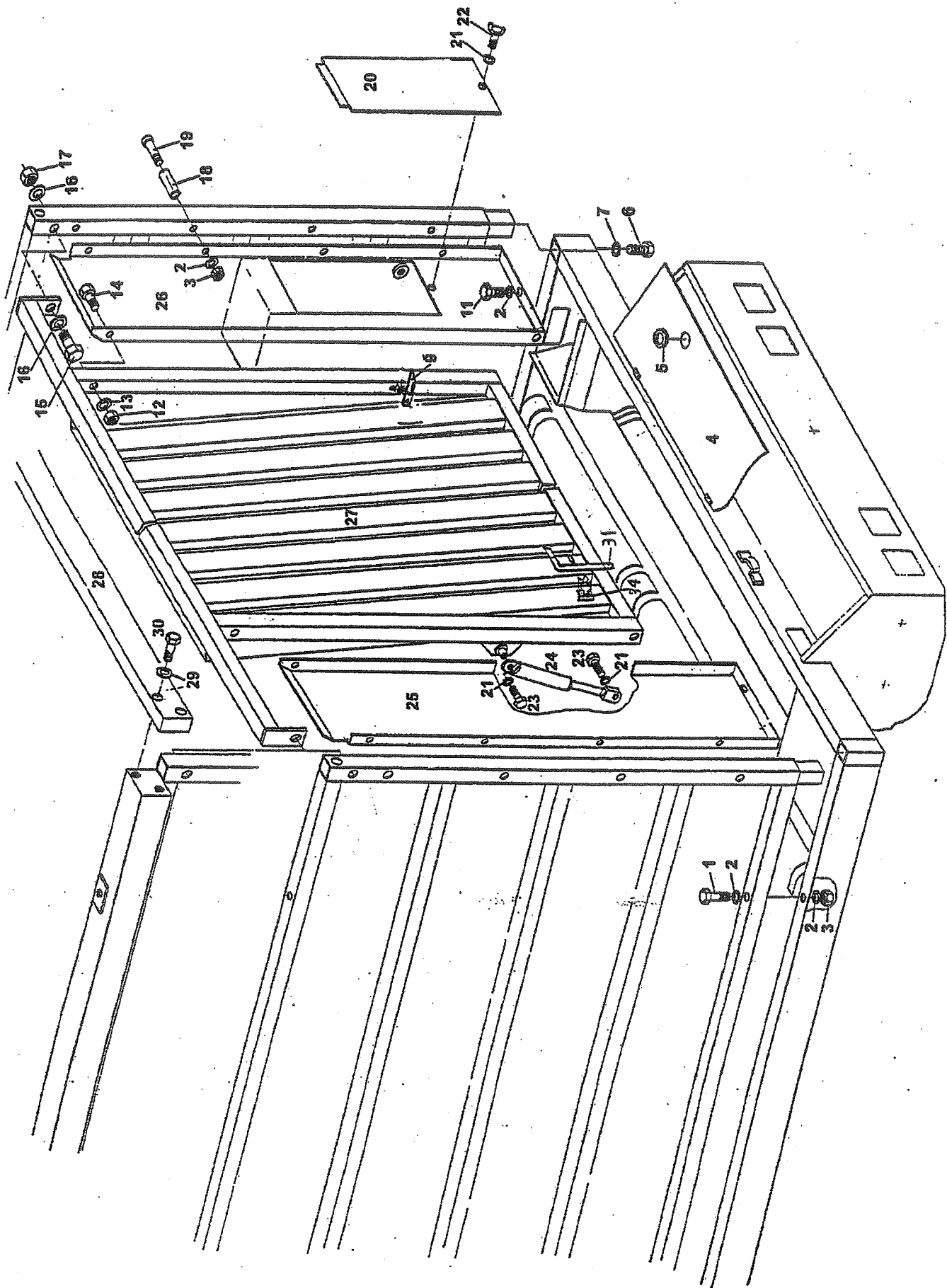


19. FRONT BOARD RAPIDE 100

VOORBORD RAPIDE 100

Drawing no. 975.0001

<i>Fig.</i>	<i>SR-no.</i>	<i>Omschrijving</i>	<i>Description</i>
1	301.0739	Bout M10×90	Bolt M10×90
2	316.0705	Sluitring A10,5	Washer A10,5
3	306.0306	Borgmoer M10	Locking nut M10
4	935.0434	Deksel 25	Protective cover 25
6	301.0836	Bout M16×45	Bolt M16×45
7	316.0901	Veerring 16 mm	Spring washer 16 mm
9	371.0294	Tuimelsluiting	Rocker fastening
11	301.0809	Bout M10×20	Bolt M10×20
12	306.0303	Borgmoer M16	Locking nut M16
13	316.0707	Sluitring A17	Washer A17
14	301.0759	Bout M16×80	Bolt M16×80
15	301.0771	Bout M20×90	Bolt M20×90
16	316.0725	Sluitring A21	Washer A21
17	306.0314	Borgmoer M20	Locking nut M20
18	925.0393	Busje L=37	Bush L=37
19	302.0603	Cilinderkopbout M10×60	Cylinder head bolt M10×60
20	937.0841	Sluitplaat GI	Locking plate GI
21	316.0703	Sluitring A8,4	Washer A8,4
22	349.0063	Vleugelknop M8×20	Wing nut M8×20
23	301.0750	Bout M8×35	Bolt M8×35
24	333.0001	Gasdrukveer	Gas pressure spring
25	967.0607	Voorwand-zijstuk rechts	Front board side piece right
26	969.1318	Voorwand-zijstuk GI links	Front board side piece GI left
27	967.0602	Voorbord 2216	Front board 2216
31	967.0142	Grendelpen	Locking pin
32	302.0620	Cilinderkopbout M10×30	Cylinder head bolt M10×30
33	349.0028	Kogel Ø10	Ball Ø10
34	331.0202	Borgveer	Locking spring
35	900.0115	Grendelbout M20×25	Locking bolt M20×25

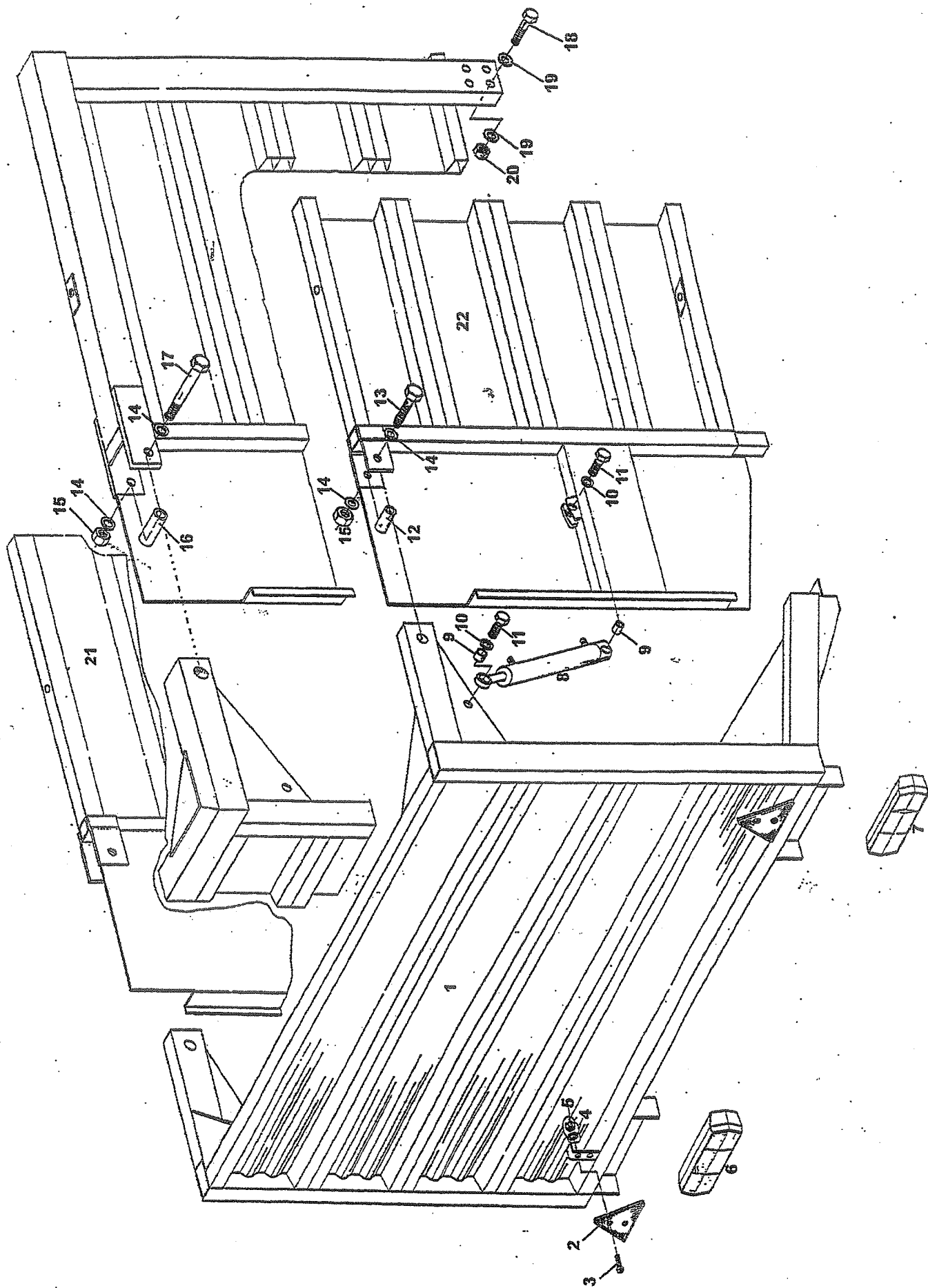


20. FRONT BOARD RAPIDE 130

VOORBORD RAPIDE 130

Drawing no. 975.0001

<i>Fig.</i>	<i>SR-no.</i>	<i>Omschrijving</i>	<i>Description</i>
1	301.0739	Bout M10×90	Bolt M10×90
2	316.0705	Sluitring A10,5	Washer A10,5
3	306.0306	Borgmoer M10	Locking nut M10
4	935.0434	Deksel 25	Protective cover 25
6	301.0836	Bout M16×45 (achter)	Bolt M16×45 (rear)
	301.0787	Bout M16×200 (voor)	Bolt M16×200 (front)
7	316.0901	Veerring 16 mm	Spring washer 16 mm
9	371.0294	Tuimelsluiting	Rocker fastening
11	301.0809	Bout M10×20	Bolt M10×20
12	306.0303	Borgmoer M16	Locking nut M16
13	316.0707	Sluitring A17	Washer A17
14	301.0759	Bout M16×80	Bolt M16×80
15	301.0771	Bout M20×90	Bolt M20×90
16	316.0725	Sluitring A21	Washer A21
17	306.0314	Borgmoer M20	Locking nut M20
18	925.0393	Busje L37	Bush L37
19	302.0603	Cilinderkopbout M10×60	Cylinder head bolt M10×60
20	937.0841	Sluitplaat GI	Locking plate GI
21	316.0703	Sluitring A8,4	Washer A8,4
22	349.0063	Vleugelknop M8×20	Wing nut M8×20
23	301.0750	Bout M8×35	Bolt M8×35
24	333.0001	Gasdrukveer	Gas pressure spring
25	961.0107	Voorwand-zijstuk rechts	Front board- side piece right
26	969.1145	Voorwand-zijstuk GI links	Front board- side piece GI left
27	961.0273	Voorbord 2220	Front board 2220
28	969.1015	Bovenrand 22	Top edge 22
29	316.0702	Sluitring A13	Washer A13
30	301.0785	Bout M12×80	Bolt M12×80
31	961.0119	Grendelpen	Locking pin
34	331.0202	Borgveer	Locking spring

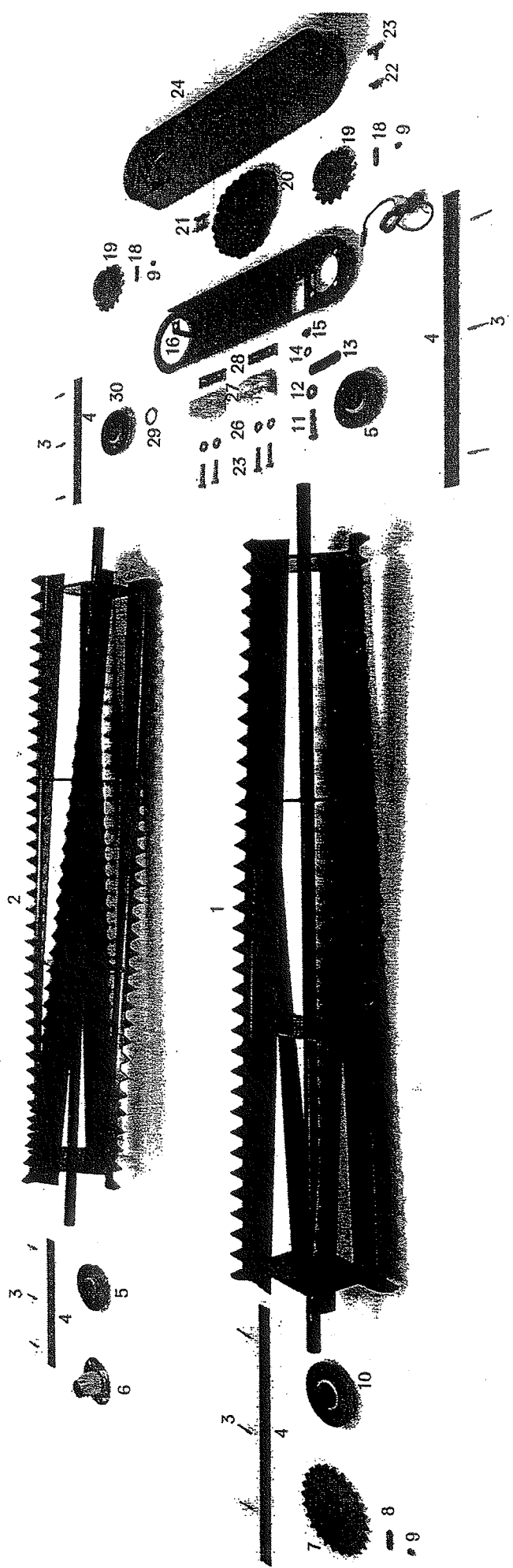


21. TAILGATE

ACHTERKLEP

Drawing no. 975.0002

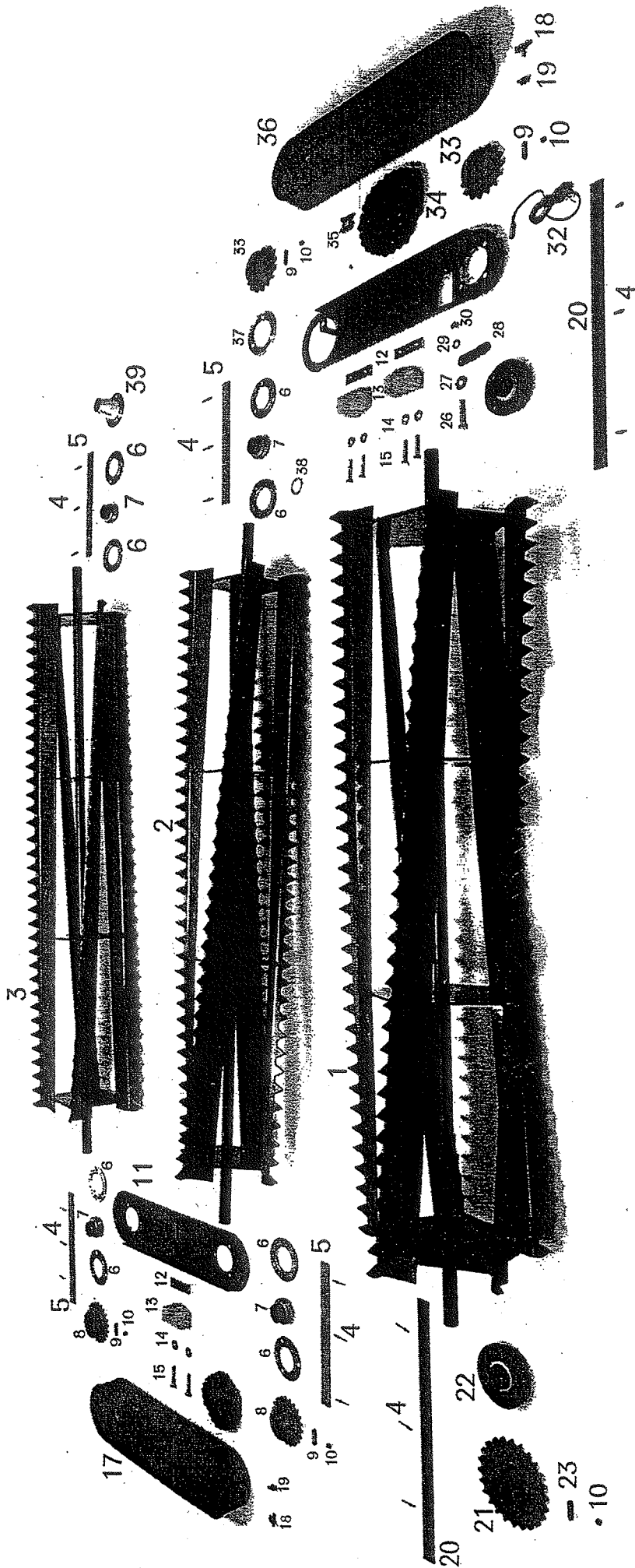
<i>Fig.</i>	<i>SR-no.</i>	<i>Omschrijving</i>	<i>Description</i>
1	969.1350	Achterklep Rap.100	Tailgate Rap.100
	969.1352	Achterklep Rap.130	Tailgate Rap.130
2	482.0201	Driehoek-reflector	Reflecting warning triangle
3	303.0937	Cilinderkopschroef M5×12	Cylinder head screw M5×12
4	316.0730	Sluitring A5,3	Washer A5,3
5	306.0335	Borgmoer M5	Locking nut M5
6	480.0026	Achterlamp links	Rear light left
7	480.0027	Achterlamp rechts	Rear light right
7a	482.0104	Glas voor achterlicht	Glass for rear light
8	355.3001	Hydr. cilinder D30/50-670 (Rap.100)	Hydr.Cylinder D30/80-670 (Rap.100)
	355.3002	Hydr. cilinder D30/50-875 (Rap.130)	Hydr.Cylinder D30/50-785 (Rap.130)
8a	454.0812	Set afdichtingen t.b.v. 8	Set of seals for 8
9	925.0711	Lagerbusje L=27,5	Bearing bush L=27,5
9a	925.0775	Lagerbusje L=31,5	Bearing bush L=31,5
10	316.0707	Sluitring A17	Washer A17
11	301.0746	Bout M16×55	Bolt M16×55
	301.0761	Bout M16×60	Bolt M16×60
12	925.0651	Scharnierbusje Rap.100	Knuckle L=54 Rap.100
13	301.0762	Bout M16×90 Rap.100	Bolt M16×90 Rap.100
14	316.0707	Sluitring A17	Washer A17
15	306.0702	Moer M16	Nut M16
16	925.0922	Scharnierbusje L=101 Rap.130	Knuckle L=101 Rap.130
17	301.0738	Bout M16×150 Rap.130	Bolt M16×150 Rap.130
18	301.0785	Bout M12×80	Bolt M12×80
19	316.0701	Sluitring A13	Washer A13
20	306.0302	Borgmoer M12	Locking nut M12
21	968.0005	Zijbord 100-S links	Side board 100-S left
	951.0003	Zijbord 130-S links	Side board 130-S left
	951.0021	Zijbord 130-SW links	Side board 130-SW left
22	968.0006	Zijbord 100-S rechts	Side board 100-S right
	968.0741	Zijbord 100-SW rechts	Side board 100-SW right
	951.0004	Zijbord 130-S rechts	Side board 130-S right
	951.0022	Zijbord 130-SW rechts	Side board 130-SW right



22. DISTRIBUTION BEATERS RAPIDE 100-SW .

VERDEEL-WALSEN RAPIDE 100-SW

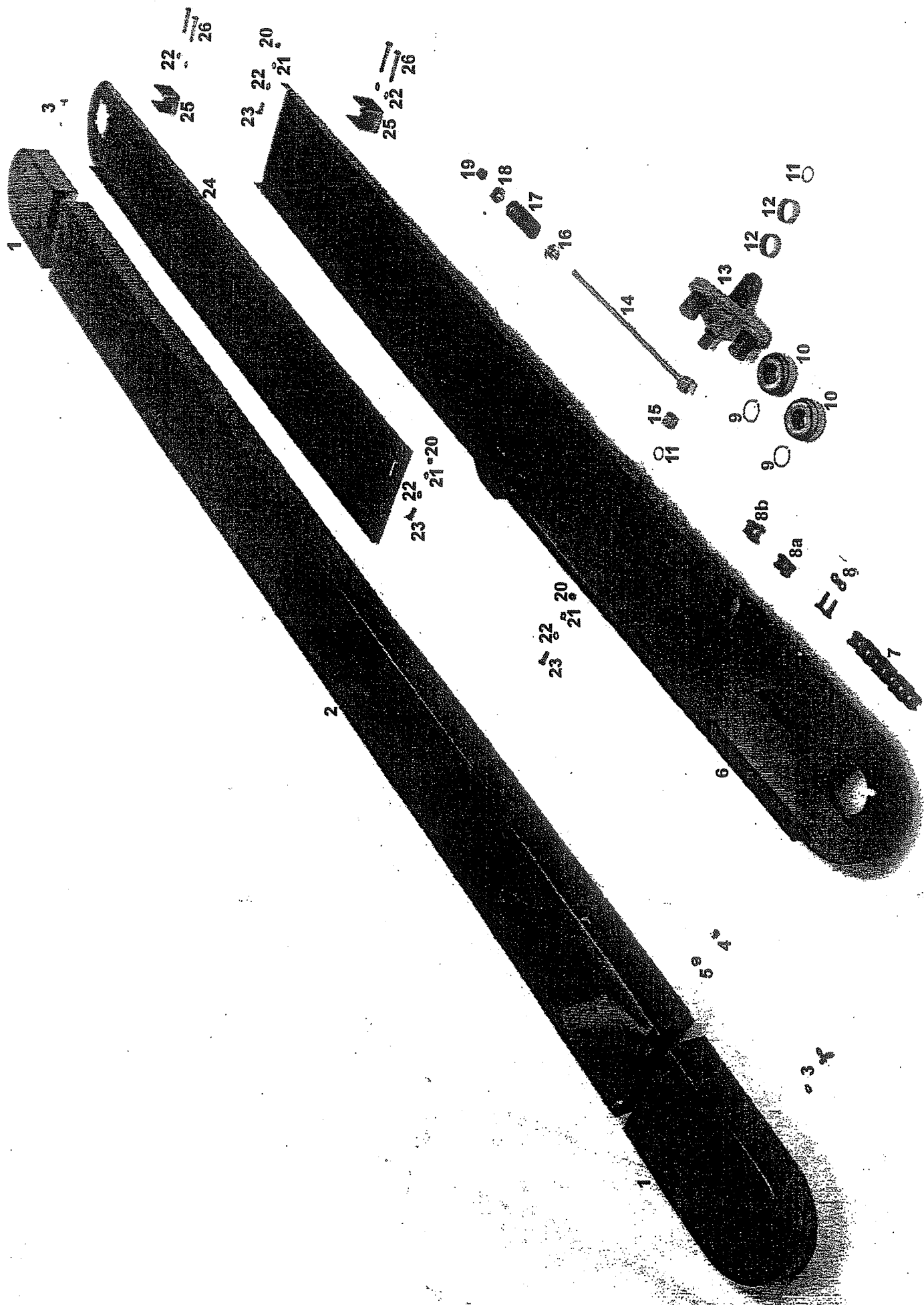
<i>Fig.</i>	<i>SR-no.</i>	<i>Omschrijving</i>	<i>Description</i>
1	967.0425	Verdeelwals onder	Distribution beater, lower
2	967.0400	Verdeelwals boven	Distribution beater, top
3	309.0233	Popnagel gegroefd	Pop rivet, grooved
4	281.0021	Afdichtstrip L=400	Sealing strip L=400
5	401.0204	Flenslager RME 35	Flange bearing RME 35
6	900.0092	Beschermkapje	Protective cover
7	353.0403	Kettingwiel 1" Z=24	Chain wheel 1" Z=24
8	315.0123	Spie 12×8×45	Feater key 12×8×45
9	304.0105	Stelschroef M10	Adjusting screw M10
10	401.0198	Flenslager RME-40	Flange bearing RME-40
11	301.0775	Bout M12×70	Bolt M12×70
12	316.0701	Sluitplaat A13	Washer A13
13	332.0005	Schotelveer	Cup spring
14	316.0702	Sluitring A13	Washer A13
15	306.0302	Borgmoer M12	Locking nut M12
16	960.0615	Lagerplaat met eindstop	Bearing plate with stop-motion
17	484.0115	Sensor	Sensor
18	315.0104	Spie 10×8×40	Key 10×8×40
19	353.0173	Kettingwiel 1" Z=15	Chain wheel 1" Z=15
20	356.0146	Ketting 1"-61	Chain 1"-61
21	356.0143	Verbindschalm 1"×17,02	Joining link 1"×17.02
22	306.0359	Plaatmoer M8 zelfborgend	Self-locking nut M8
23	301.0801	Bout M8×16	Bolt M8×16
24	375.0502	Beschermkap	Protective cover
25	301.0726	Bout M10×60	Bolt M10×60
26	316.0719	Sluitplaat 10,5 mm	Washer 10,5 mm
27	353.0202	Spanblok 50	Tension block 50
28	912.0671	Spanstrip TB-10	Tensioning strip
28a	302.0935	Spanbout M10×140	Tension bolt M10×140
29	934.0155	Ring 51/36	Ring 51/36
30	900.0103	Flenslager RME35 met rand	Flange bearing with edge RME35



23. DISTRIBUTION BEATERS RAPIDE 100-SWV; 130-SWV

VERDEEL-WALSEN RAPIDE 100-SWV; 130-SWV

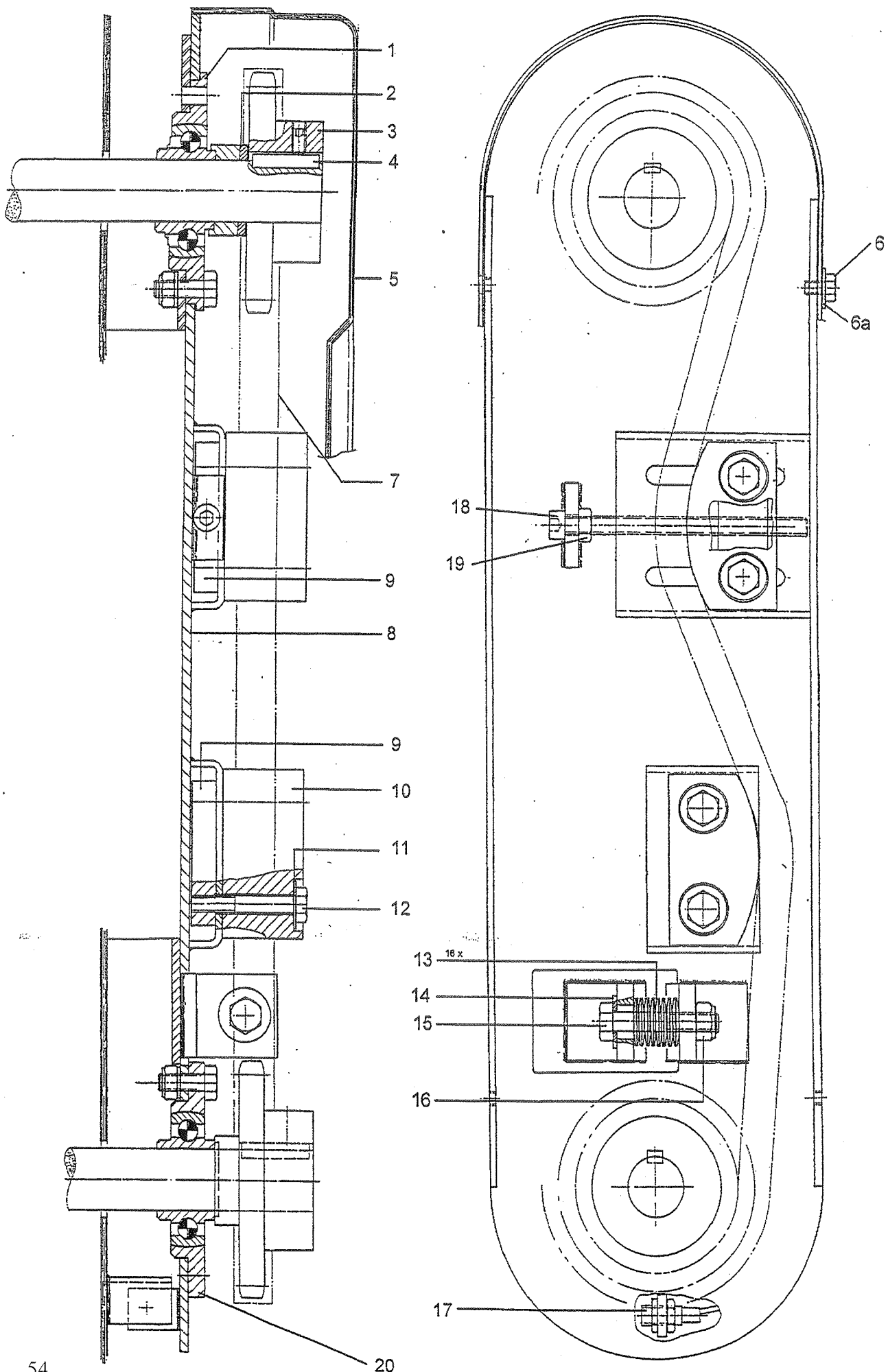
<i>Fig.</i>	<i>SR-no.</i>	<i>Omschrijving</i>	<i>Description</i>
1	967.0399	Verdeelwals onder	Distribution beater, lower
2	967.0400	Verdeelwals midden	Distribution beater, middle
3	967.0400	Verdeelwals boven	Distribution beater, top
4	309.0233	Popnagel gegroefd	Pop rivet, grooved
5	281.0021	Afdichtstrip L=400	Sealing strip L=400
6	401.0134	Lagerflens 35-3gts Rap.100	Bearing flange 35-3hls Rap. 100
6+7	401.0204	Flenslager RME 35 Rap.130	Flange bearing RME 35 Rap. 130
7	401.0178	Flenslager GE35 Rap.100	Flange bearing GE35 Rap. 100
8	353.0149	Kettingwiel ¾" Z=21/35 Rap. 100	Chain wheel ¾" Z=21/35 Rap. 100
	353.0173	Kettingwiel 1" Z=15/35 Rap. 130	Chain wheel 1" Z=15/35 Rap. 130
9	315.0104	Spie 10×8×40	Feather key 10×8×40
10	304.0105	Stelschroef M10	Set screw M10
11	960.0618	Lagerplaat II-III Rap. 100	Bearing plate II-III Rap. 100
	961.0610	Lagerplaat II-III Rap. 130	Bearing plate II-III Rap. 130
12	912.0671	Spanstrip TB-10	Tensioning strip TB-10
12a	302.0935	Spanbout M10×140	Tension bolt M10×140
13	353.0202	Spanblok 50	Tension block 50
14	316.0719	Ring 10,5 mm	Ring 10,5 mm
15	301.0726	Bout M10×60	Bolt M10×60
16	356.0156	Ketting ¾"-81 Rap. 100	Chain ¾"-81 Rap. 100
	356.0146	Ketting 1"-61 Rap. 130	Chain 1"-61 Rap. 130
17	375.0502	Beschermkap	Protective cover
18	301.0801	Bout M8×16	Bolt M8×16
19	306.0359	Plaatmoer M8 zelfborgend	Self-locking nut M8
20	281.0021	Afdichtstrip L=400	Sealing strip L=400
	281.0022	Afdichtstrip L=670	Sealing strip L=670
21	353.0457	Kettingwiel 1" Z=24 met breekbout	Chain wheel 1" Z=24 with shearing bolt
	301.0215	Breekbout M12×45	Shearing bolt M12×45
22	401.0198	Flenslager RME-40	Flange bearing RME-40
23	315.0123	Spie 12×8×45	Feather key 12×8×45
25	401.0204	Flenslager RME 35	Flange bearing RME 35
26	301.0775	Bout M12×70	Bolt M12×70
27	316.0701	Sluitring A13	Sealing ring A13
28	332.0005	Schotelveer	Cup spring
29	316.0702	Sluitring	Sealing ring
30	306.0302	Borgmoer M12	Locking nut M12
31	960.0615	Lagerplaat met eindstop	Bearing plate with stop
32	484.0115	Sensor	Sensor
33	353.0173	Kettingwiel 1" Z=15	Chain wheel 1" Z=15
34	356.0146	Ketting 1"-61	Chain 1"-61
35	356.0143	Verbindingsschalm 1"×17.02	Joining link 1"×17.02
36	375.0502	Beschermkap	Protective cover
37	934.0100	Lagerflens Rap.100	Bearing flange Rap.100
	900.0103	Flenslager RME35 met rand Rap.130	Flange bearing with edge RME35Rap.130
38	934.0155	Ring 51/36	Ring 51/36
39	900.0082	Beschermkapje	Protective cover



24. BEATER DRIVE WITH CHAIN TENSIONER

WALSAANDRIJVING MET KETTINGSpanner

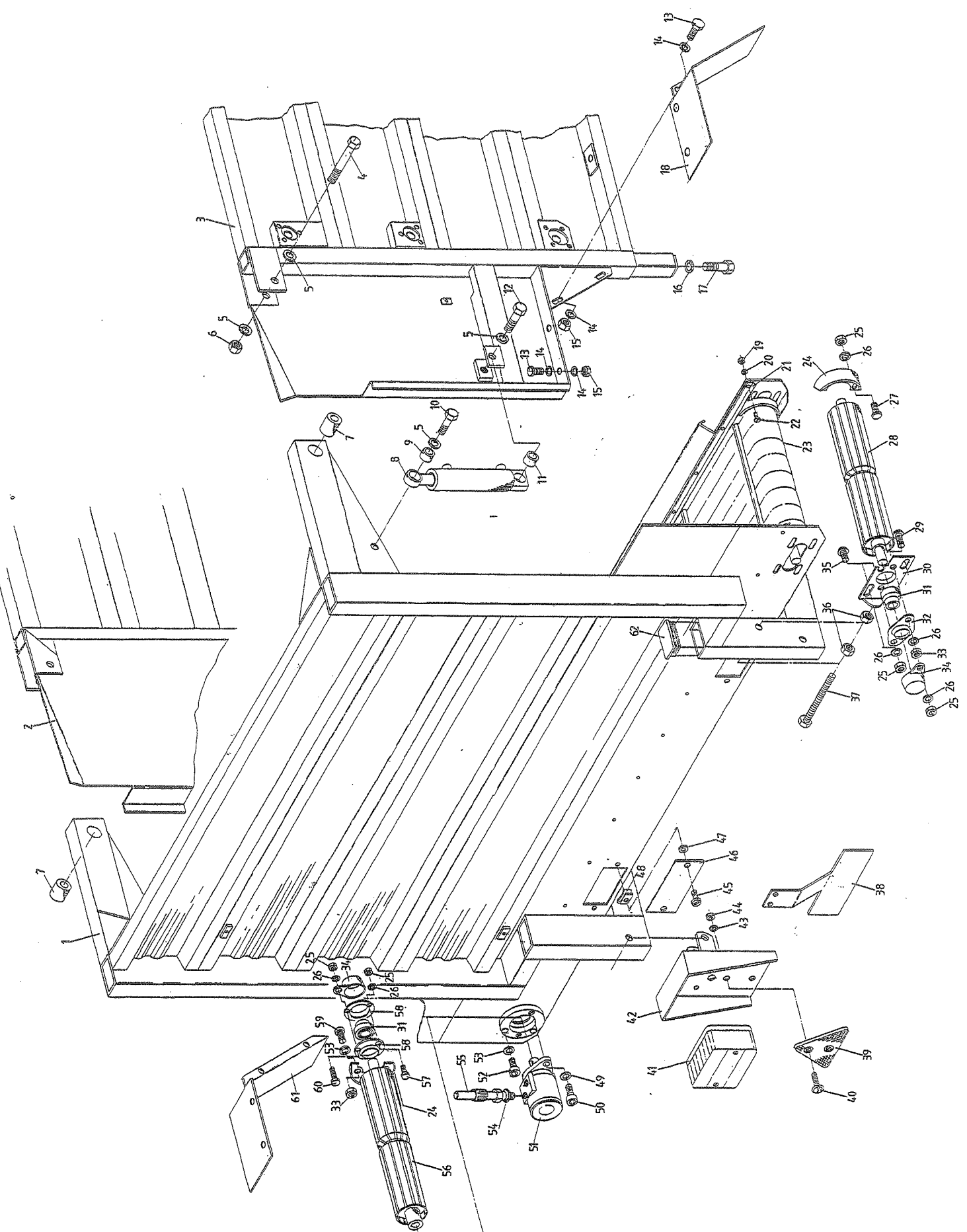
<i>Fig.</i>	<i>SR-no.</i>	<i>Omschrijving</i>	<i>Description</i>
1	930.0596	Eindkap HVS-Rap.	Cover, end HVS-Rap.
2	967.0150	Middenkap Rap. 100-SW	Cover, middle Rap. 100-SW
	969.1526	Middenkap Rap. 100-SWV	Cover, middle Rap.100-SWV
	961.0121	Middenkap voor Rap. 130-SWV	Cover, middle front Rap. 130-SWV
	936.0861	Middenkap achter Rap. 130-SWV	Cover, middle rear Rap. 130-SWV
4	301.0801	Bout M8×16	Bolt M8×16
5	316.0722	Sluitplaat A8,4	Washer A8,4
6	967.0152	Lagerplaat voor Rap. 100-SW en 100-V	Bearing plate front Rap. 100-SW and 100-V
	961.0120	Lagerplaat voor Rap. 130-SWV	Bearing plate front Rap. 130-SWV
7	356.0172	Ketting 1"×17.02-16B	Charin 1"×17,02-16B
8	356.0143	Verbindingsschalm 1"×17.02	Joining link 1"×17.02
9	313.0114	Buitenborgring A-40	Locking ring A-40
10	922.0011	Kettinggeleiderol	Chain guide roller
11	313.0106	Buitenborgring A-25	Locking ring A-25
12	402.0131	Glijlager 40/20	Slide bearing 40/20
13	967.0095	Kettingspanner	Chain tensioner
14	967.0096	Spanbout	Tension bolt
15	402.0132	Glijlager 25/25	Slide bearing 25/25
16	925.0690	Veerkop	Spring head
17	331.0219	Drukveer	Pressure spring
18	925.0691	Veerschijf	Spring disc
19	306.0303	Borgmoer M16	Locking nut M16
20	306.0701	Moer M10	Nut M10
21	316.0906	Veerring 10 mm	Spring washer 10 mm
22	316.0705	Sluitring A10,5	Washer A10,5
23	301.0811	Bout M10×30	Bolt M10×30
24	967.0155	Lagerplaat achter Rap. 100-SW	Bearing plate back Rap. 100-SW
	969.1525	Lagerplaat achter Rap. 100-SWV	Bearing plate back Rap. 100-SWV
	960.0793	Lagerplaat achter Rap. 130-SWV	Bearing plate back Rap. 130-SWV
25	922.0012	Glijblok	Sliding block
26	301.0719	Bout M10×70	Bolt M10×70



25. BEATER PROTECTIVE DEVICE
 WALSBEVEILIGING

Drawing: 975.0022

<i>Fig.</i>	<i>SR-no.</i>	<i>Omschrijving</i>	<i>Description</i>
1	900.0103	Flenslager RME 35 met rand	Flange bearing with edge RME 35
2	934.0155	Ring 51/36	Ring 51/36
3	353.0173	Kettingwiel 1"×17,02-15	Chain wheel 1"×17,02-15
4	315.0104	Inlegspie 10×8×40	Key 10×8×40
5	375.0502	Beschermkap Rap.100	Protective cover Rap.100
6	301.0801	Bout M8×16	Bolt M8×16
6a	316.0722	Sluitplaat A8,4	Washer A8,4
7	356.0146	Ketting 1"-61 Rap. 100 en 130	Chain 1"-61 Rap. 100 and 130
8	960.0615	Lagerplaat 580-ES	Bearing plate 580-ES
9	912.0671	Spanstrip kettingspanner TB-10	Tensioning strip for chain tensioner TB-10
10	353.0202	Spanblok 50	Tension block 50
11	316.0719	Sluitplaat A10,5	Washer A10,5
12	301.0726	Bout M10×60	Bolt M10×60
13	332.0005	Schotelveer 28×12,2×1	Cup spring 28×12,2×1
14	316.0701	Sluitring A13	Washer A13
15	301.0775	Bout M12×70	Bolt M12×70
16	306.0302	Borgmoer M12	Locking nut M12
17	484.0115	Sensor	Sensor
18	302.0935	Spanbout M10×140	Bolt M10×140
19	306.0701	Moer M10	Nut M10
20	401.0204	Flenslager RME35	Flange bearing RME35

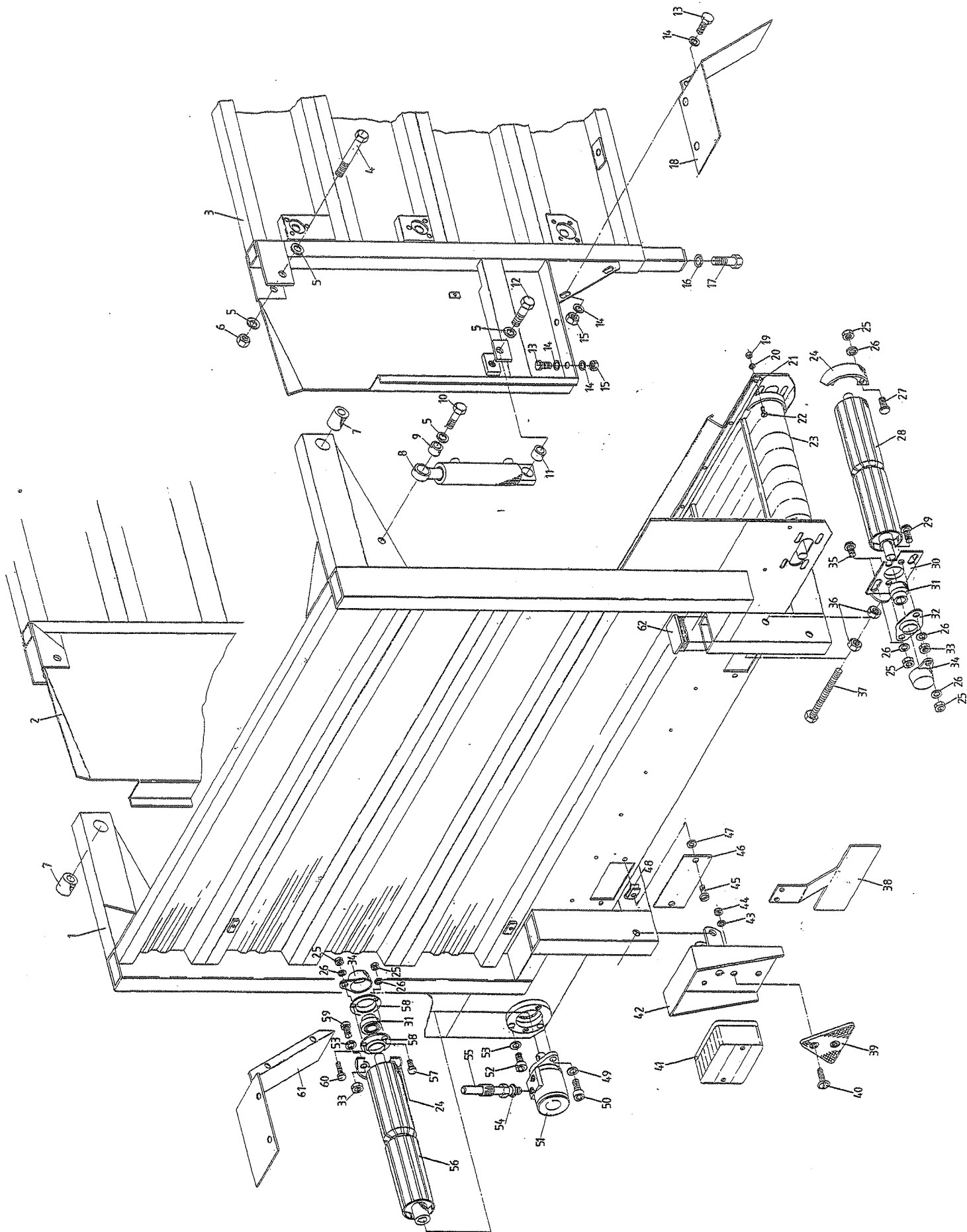


26. TAILGATE WITH CROSS CONVEYOR

ACHTERKLEP MET DWARSTRANSPORTEUR

Drawing no. 975.0003

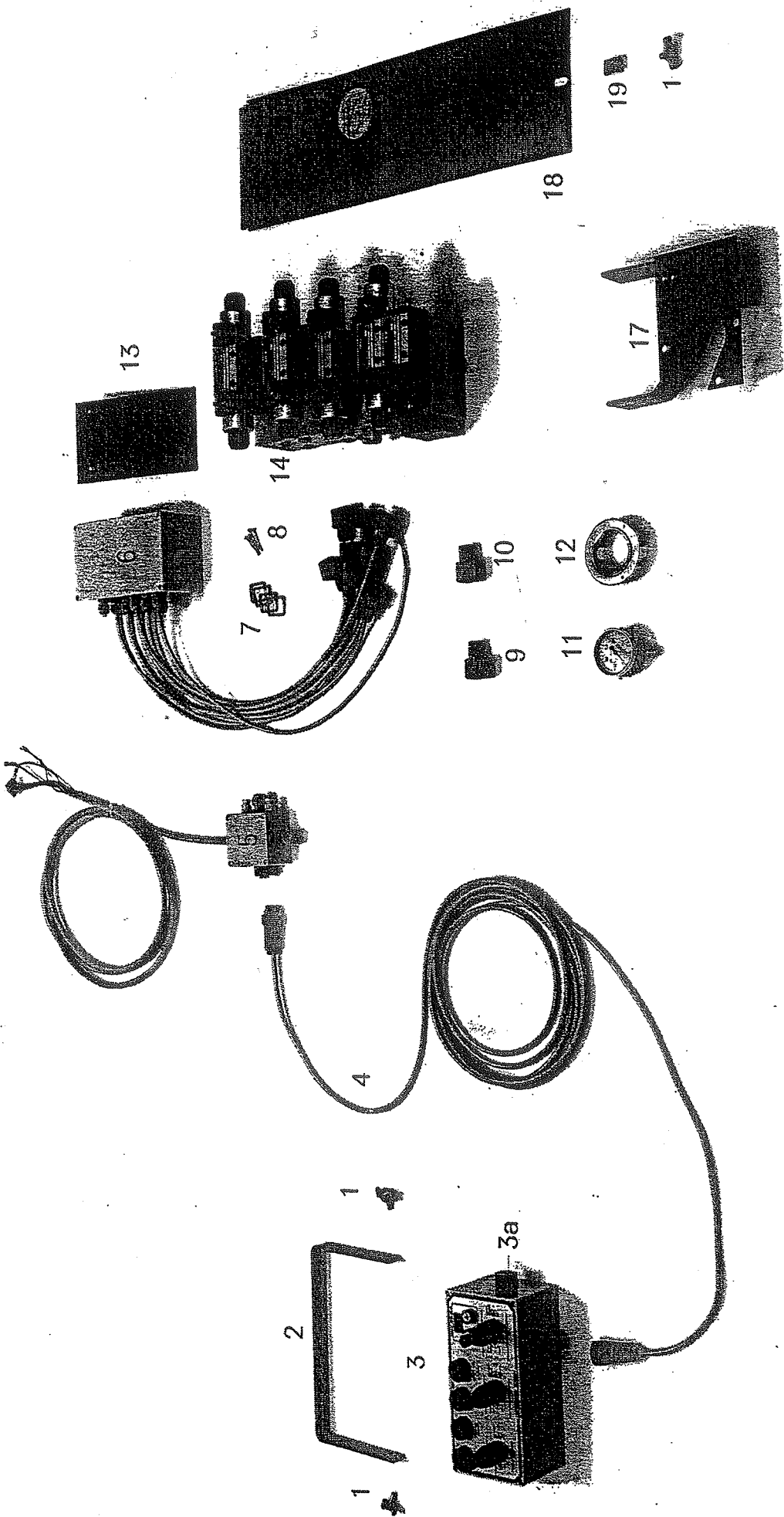
<i>Fig.</i>	<i>SR-no.</i>	<i>Omschrijving</i>	<i>Description</i>
1	969.1155	Achterklep met dwarsband Rap.100	Tailgate with cross conveyor Rap. 100
	969.0677	Achterklep met dwarsband Rap.130	Tailgate with cross conveyor Rap.130
2	969.1355	Zijbord Li. (Rap.100)	Side board Li. (Rap.100)
	951.0058	Zijbord Li. (Rap.130)	Side board Li. (Rap.130)
3	969.1356	Zijbord Re. (Rap.100)	Side board Re. (Rap.100)
	951.0059	Zijbord Re. (Rap.130)	Side board Re. (Rap.130)
4	301.0762	Bout M16x90 (Rap. 100)	Bolt M16x90 (Rap.100)
	301.0738	Bout M16x150 (Rap.130)	Bolt M16x150 (Rap.130)
5	316.0707	Sluitring A17	Washer A17
6	306.0303	Borgmoer M16	Locking nut M16
7	925.0651	Scharnierbus L=51 (Rap.100)	Bush L=51 (Rap.100)
	925.0922	Scharnierbus L=101 (Rap.130)	Bush L=101 (Rap.130)
8	355.3001	Hydr.cilinder D30/50-670 (Rap.100)	Hydr. Cylinder D30/50-670 (Rap.100)
	355.3002	Hydr.cylinder D30/50-875 (Rap.130)	Hydr. Cylinder D35/50-875 (Rap.130)
9	925.0775	Lagerbusje L=31,5	Bush L=31,5
10	301.0746	Bout M16x55	Bolt M16x55
11	925.0711	Lagerbusje L=27,5	Bush L=27,5
12	301.0761	Bout M16x60	Bolt M16x60
13	301.0805	Bout M10x25	Bolt M10x25
14	316.0705	Sluitring A10,5	Washer A10,5
15	306.0306	Borgmoer M10	Locking nut M16
16	316.0901	Veerring 16mm	Spring washer 16mm
17	301.0836	Bout M16x45	Bolt M16x45
18	937.0655	Tunneldeel Re. (Rap.100)	Tunnel tail right (Rap.100)
	969.0963	Tunnelhelft Re. (Rap.130)	Tunnel tail right (Rap.130)
19	306.0707	Moer M6	Nut M6
20	316.0708	Sluitring A6,4	Washer A6,4
21	914.0041	Afdichtstrook (Rap.100)	Closure strip (Rap.100)
	914.0008	Afdichtstrook (Rap.130)	Closure strip (Rap.130)
22	303.0928	Schroef M6x12	Screw M6x12
23	433.0054	Transportband cpl. (Rap.100)	Conveyerbelt cpl. (Rap.100)
	433.0021	Transportband cpl. (Rap.130)	Conveyerbelt cpl. (Rap.130)
23a	433.0019	Riemverbinder incl.23b	Conveyerelt connection inc. 23b
23b	433.0018	Verbinderpen	Connetion pin
24	360.0005	Set afschermringen	Set plastic protective rings
25	306.0312	Borgmoer M8	Locking nut M8
26	316.0703	Sluitring A8,4	Washer A8,4
27	303.0724	Slotbout M8x20	Bolt M8x20
28	968.0151	Bandspanrol	Tension roller
29	303.0721	Slotbout M8x30	Bolt M8x30
30	966.0553	Spanlagerhuis incl.32	Bearing house incl. 32
31	401.0169	Flenslager GRAE 25	Flange bearing GRAE 25
32	401.0249	Lagerflens	Bearing flange



CONTINUATION CROSS CONVEYOR

VERVOLG DWARSTRANSPORTEUR

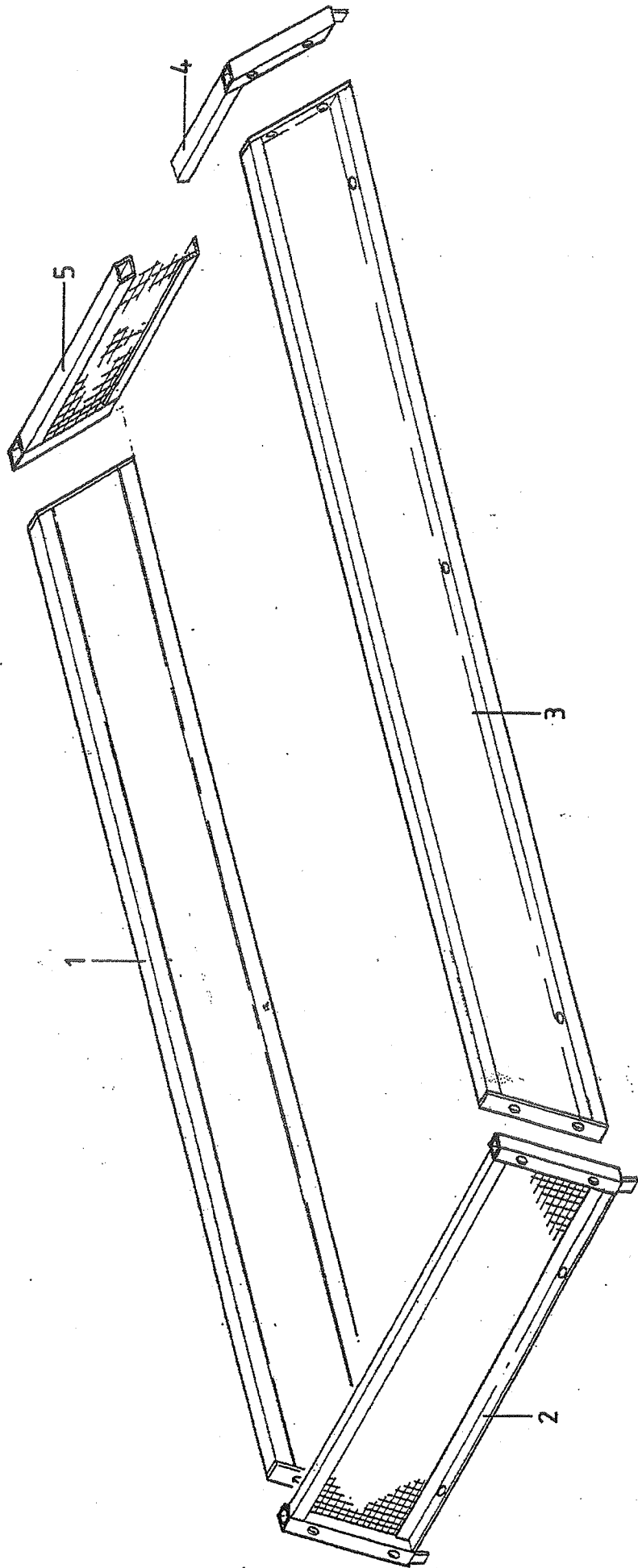
<i>Fig.</i>	<i>SR-no.</i>	<i>Omschrijving</i>	<i>Description</i>
33	306.0705	Moer M8	Nut M8
34	401.0171	Beschermkapje	Protective cover
35	303.0725	Slotbout M8x16	Bolt M8x16
36	306.0704	Moer M12	Nut M12
37	967.0208	Spanbout M12x190	Bolt M12x190
39	482.0201	Driehoek-reflector	Reflecting warning triangle
40	303.0920	Cilinderkopschroef M5x20	Screw M5x20
41	480.0033	Achterlamp	Rear light
41a	482.0122	Glas voor achterlicht	Glass for rear light
42	960.0483	Verlichtingsbakje	Light holder
43	316.0703	Sluitring A5,3	Washer A5.3
44	306.0335	Borgmoer M5	Locking nut M5
45	349.0066	Snelschroef	Quick-acting screw
46	934.0992	Sluitdelsel	Cover
47	349.0065	Nylonring	Nylon Ring
48	349.0064	Schuifclosep	Panex Quick-acting screw
49	316.0904	Veerring 12mm	Spring washer 12mm
50	302.0608	Cilinderkopbout M12x30	Cylinder head bolt M12x30
51	355.0075	Hydromotor OMP 50	Hydr-motor OMP 50
52	302.0619	Cilinderkopbout M8x25	Cylinder head bolt M8x25
53	316.0905	Veerring 8mm	Spring washer 8mm
54	355.0101	Rechte kopp. AL-15	Straight screw-in coupling AL-15R
55	417.3003	Hydr.slang Rap.100-SWV	Hydr.Hose Rap.100-SWV
	417.3005	Hydr.slang Rap.130-SWV	Hydr.Hose Rap.130-SWV
56	968.0152	Banddrijfrol	Belt pulley
57	301.0801	Bout M8x16	Bolt M8x16
58	401.0170	Lagerflens	Bearing flange
59	302.0617	Cilinderkopbout M8x16	Cylinder head bolt M8x16
60	301.0835	Bout M8x30	Bolt M8x30
61	937.0654	Tunnelhelft Li. (Rap.100)	Tunnel tail left (Rap.100)
	969.0962	Tunneldeel Li. (Rap.130)	Tunnel tail left (Rap.130)
62	376.0160	Sluitdop	Plastic cap



27. Hydraulic/Elektrical operation

HYDRAULISCH/ELEKTRISCHE BEDIENING

<i>Fig.</i>	<i>SR-no.</i>	<i>Omschrijving</i>	<i>Description</i>
1	349.0063	Vleugelknop M8×20	Wing nut M8×20
2	912.0146	Bevestigingsbeugel	Mounting bracket
3	484.0915	Bedieningsunit (incl. 3a t/m k)	Pilot box (incl. 3a up to k)
3a	349.0067	Trillingsdemper	Vibration damper
3b	484.0133	Kontaktblok	Contact block
3c	484.0134	Schakelhandel-vast	Fixed switch lever
3d	484.0135	Schakelhandel-verend	Spring switch lever
3e	484.0132	Beschermhoes	Protective cover
3f	484.0037	Signaallamp-rood	Warning light, red
3g	484.0136	Drukschakelaar-rood	Pressure switch, red
3h	484.0137	Drukschakelaar-groen	Pressure switch, green
3i	484.0138	Impulsschakelaar "+"	Impulse switch "+"
3j	484.0139	Impulsschakelaar "-"	Impulse switch "-"
3k	484.0144	Chassisdeel met pen 4-polig	Surface-mounted connector 4P
4	484.0602	Verbindingskabel	Connection cable
4a	484.0142	Stekker met pen 4-polig	Straight cable connector 4P
4b	484.0143	Stekker met bus 4-polig	Straight cable socket 4P
5	484.0607	Voedingsunit	Supply unit
5a	484.0144	Chassisdeel met pen 4-polig	Surface-mounted connector 4P
6	484.0606	Stuurunit	Control unit
7	484.0121	Dichtring GDM 3-16	Sealing ring GDM 3-16
8	484.0122	Schroef M3×35	Screw M3×35
9	484.0059	Connector zwart (incl. 7 en 8)	Connector, black (incl. 7, 8)
10	484.0060	Connector grijs (incl. 7 en 8)	Connector, grey (incl. 7 and 8)
11	355.0399	Manometer 0-250 bar (incl.12)	Manometer 0-250 Bar (incl.12)
13	961.0881	Montage-steunplaat Bo/LS	Mounting-support plate Bo/LS
14	355.4004	Hydraulisch manifold Rap.S-LS	Elektro-Hydraulic manifold Rap.V-LS
	355.4005	Hydraulisch manifold Rap.SW-LS	Elektro-Hydraulic manifold Rap.SW-LS
	355.4006	Hydraulisch manifold Rap.V-LS	Elektro-Hydraulic manifold Rap. V-LS
17	969.1146	Stuurblok-console Bo/LS	Monifold support Bo/LS
18	937.0841	Sluitplaat Bo/LS	Locking plate Bo/LS
19	306.0359	Plaatmoer M8 zelfborgend	Self-locking plate nut M8

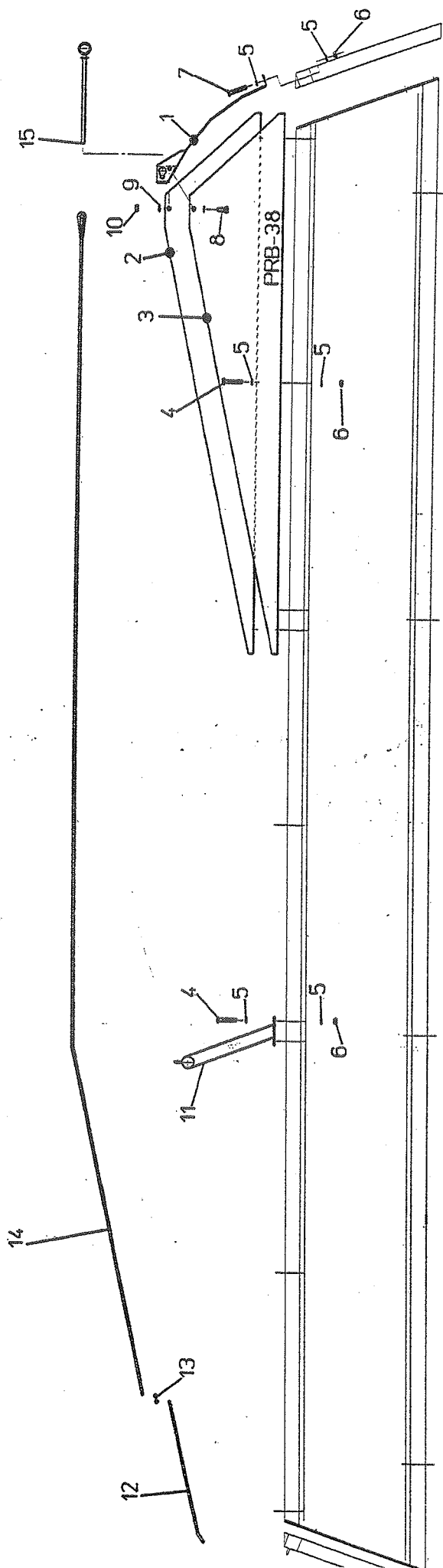


28. STEEL CONSTRUCTION AS WINDCOVER RAPIDE 100

STALEN OPBOUW ALS WINDKAP RAPIDE 100

Drawing no. 975.0016

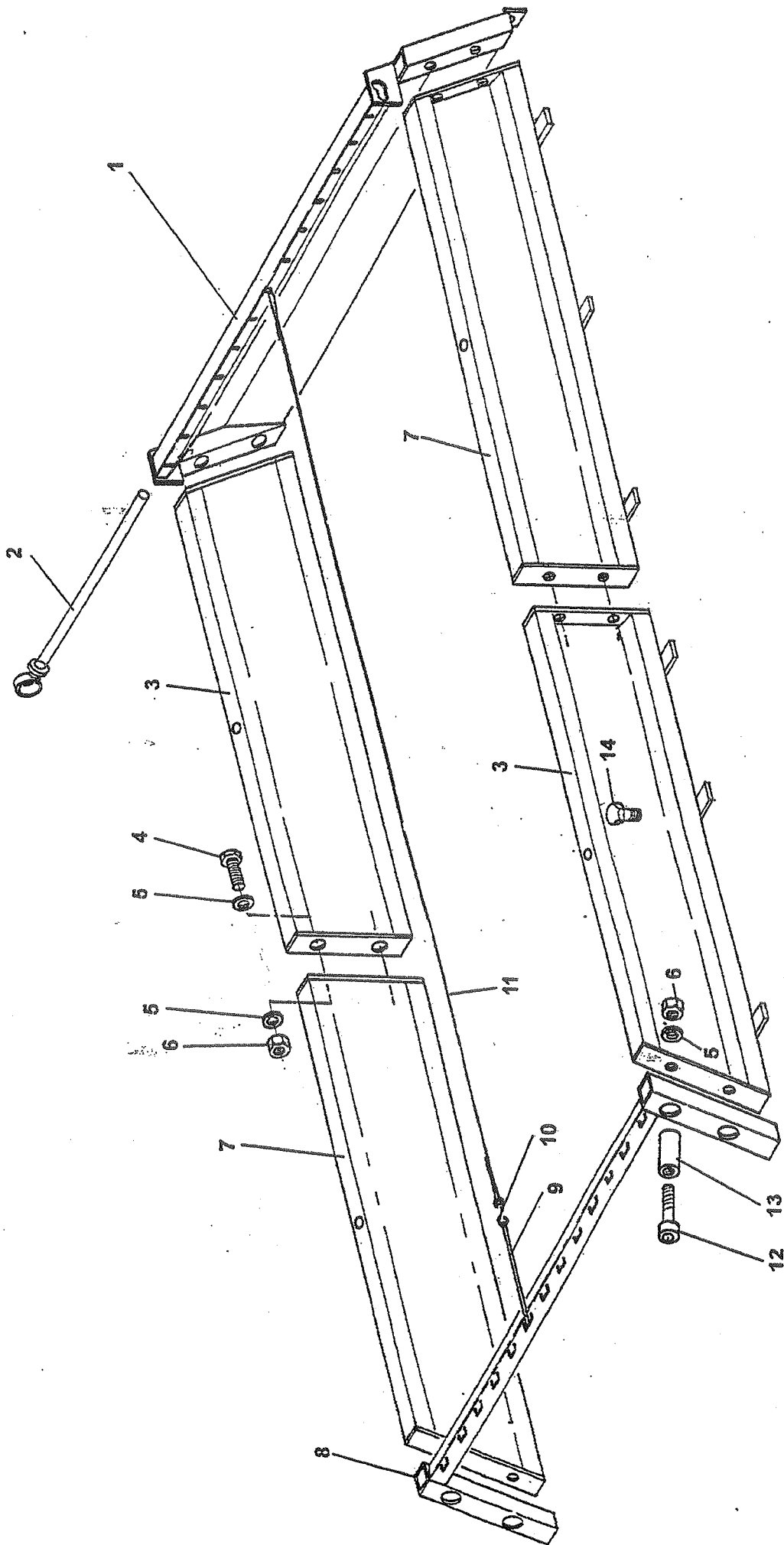
<i>Fig.</i>	<i>SR-no.</i>	<i>Omschrijving</i>	<i>Description</i>
0	992.0385	Windkap Cpl.	Wind cover, steel Cpl.
1	967.0572	Zijstuk	Side piece
2	967.0574	Voorstuk met gaas	Front part with wire gauze
3	967.0572	Zijstuk	Side piece
4	968.0576	Achterbeugel	Rear bracket



29. EXTRA SLIDE GUIDE + CORDS FOR WIND COVER CONSTRUCTION RAPIDE 100

EXTRA GELEIDEPLAAT + KOORDEN OP WINDKAP RAPIDE 100

<i>Fig.</i>	<i>SR-no.</i>	<i>Omschrijving</i>	<i>Description</i>
-	994.0601	Geleideplaat met koorden cpl.	Slide guide with cords cpl.
1	961.0290	Voorplaat	Front plate
2	936.0616	Zijplaat li.	Side plate left
3	936.0617	Zijplaat re.	Side plate right
4	301.0752	Bout M10×75	Bolt M10×75
5	316.0705	Sluitring A10,5	Washer A10,5
6	306.0306	Borgmoer M10	Locking nut M10
7	301.0725	Bout M10×65	Bolt M10×65
8	301.0810	Bout M12×30	Bolt M12×30
9	316.0702	Sluitring A13	Washer A13
10	306.0302	Borgmoer M12	Locking nut M12
11	960.0393	Middenbeugel	Central bracket
12	900.0300	Spankoord – 40	Dragband – 40
13	461.0150	D-Sluiting	D- locking clamp
14	900.0334	Koord 8 / 4100	Cord 8 / 4100
15	961.0275	Kabelstang	Cable rod



30. STEEL CONSTRUCTION + CORDS AS WIND COVER RAPIDE 130

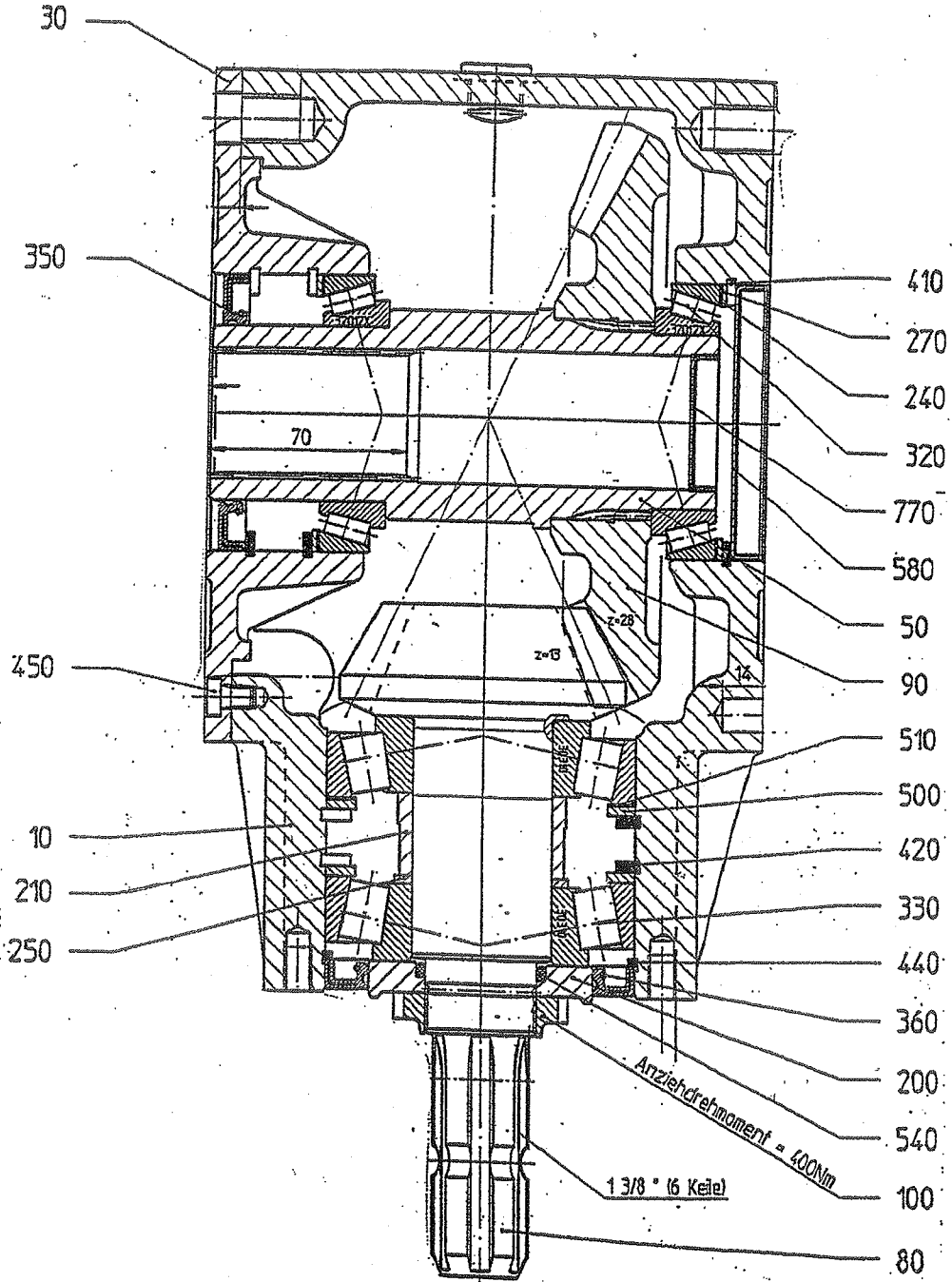
STAALOPBOUW + KOORDEN ALS WINDKAP RAPIDE 130

Drawing no. 975.0024

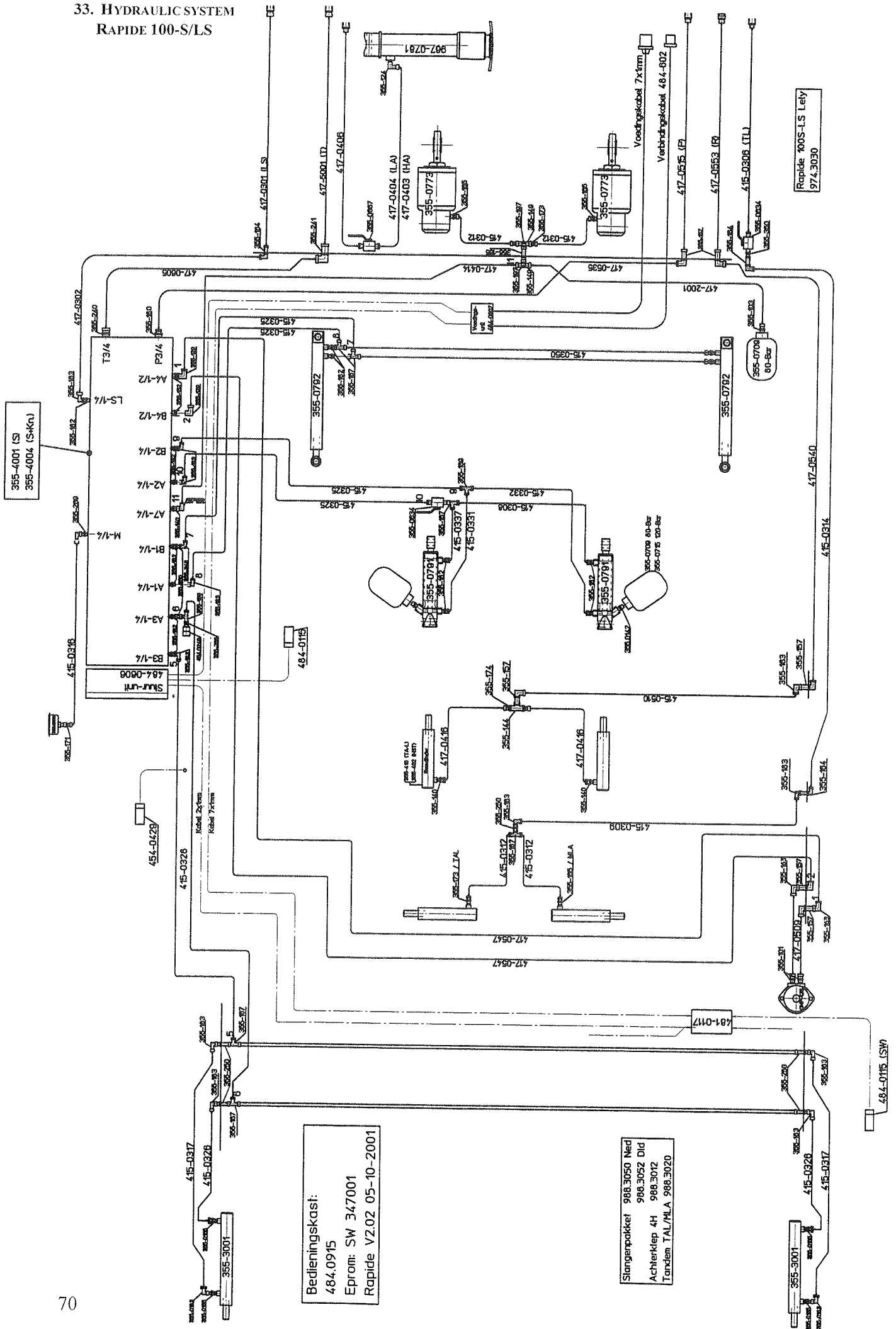
<i>Fig.</i>	<i>SR-no.</i>	<i>Omschrijving</i>	<i>Description</i>
-	994.0600	Windkap Rap.130 cpl.	Wind cover, steel Rap.130 cpl.
1	961.0271	Voorstuk met geleideplaat	Front part to lead
2	961.0275	Kabelstang	Cable rod
3	961.0569	Zijstuk-RH	Side piece- RH
4	301.0811	Bout M10×30	Bolt M10×30
5	316.0705	Sluitring A10,5	Washer A10,5
6	306.0306	Moer M10	Nut M10
7	961.0568	Zijstuk-LH	Side piece- LH
8	961.0274	Achterbeugel	Rear bracket Rap.
9	900.0300	Spankoord-40	Tension cord-40
10	461.0150	D-Sluiting	D-locking clamp
11	900.0330	Koord 8/4920	Cord 8/4920
12	302.0603	Cilinderkopbout M10×60	Cylinder head bolt M10×60
13	925.0393	Busje L37	Bush L37
14	301.0725	Bout M10×65	Bolt M10×65

31. Gear box Type-S

Article no.: 351.0066



33. HYDRAULIC SYSTEM
RAPIDE 100-S/LS



355-4001 (S)
355-4004 (S+K+U)

Rapide 100S-LS Lely
974.3030

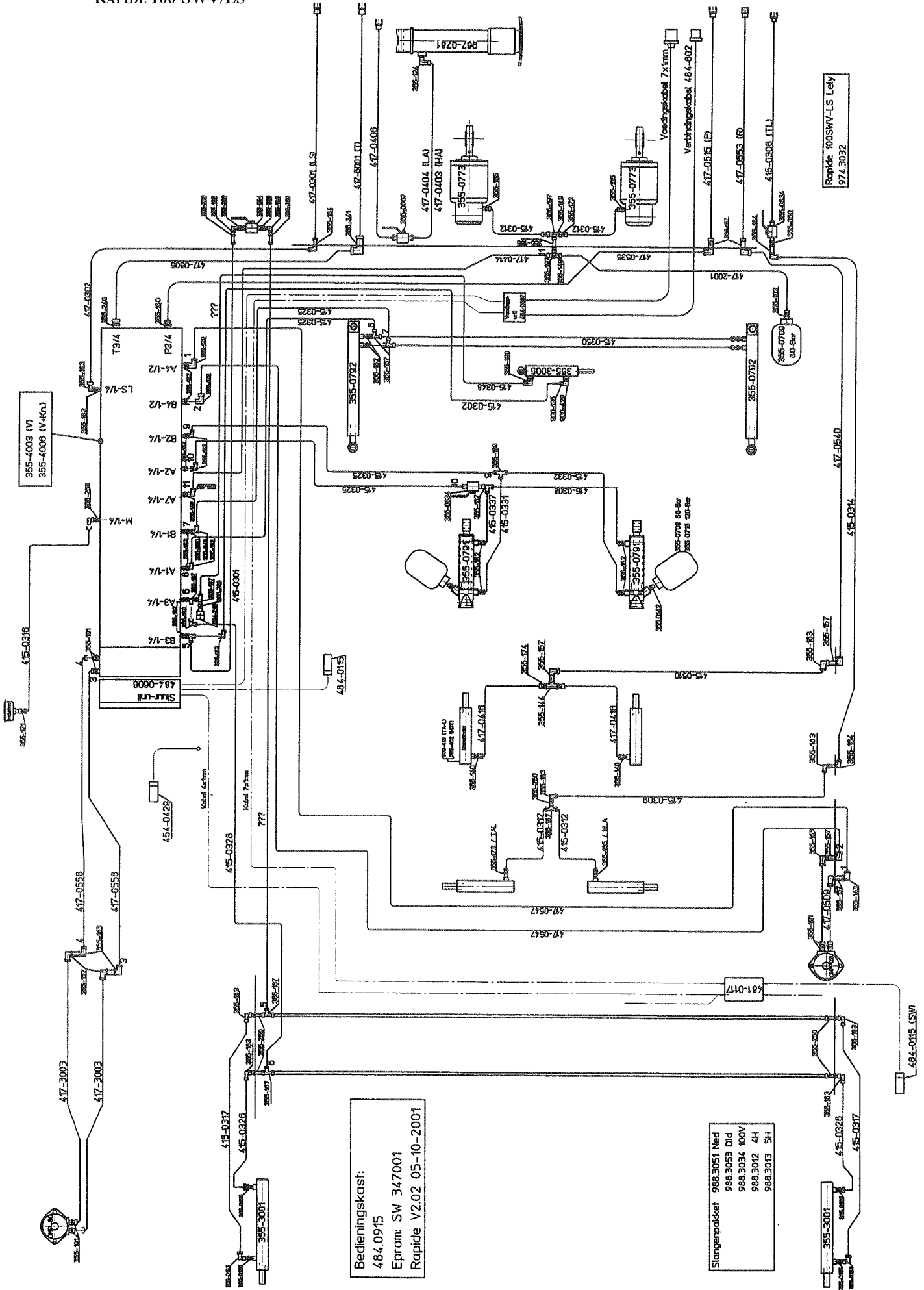
Bedieningskast:
484.0915
Eprom: SW 347001
Rapide V2.02 05-10-2001

Slangenpakket 988.3050 Ned
988.3052 Did
Achterklep 4H 988.3012
Tandem TAL/MLA 988.3020

Schuitemaker



35. HYDRAULIC SYSTEM
RAPIDE 100-SW/LS

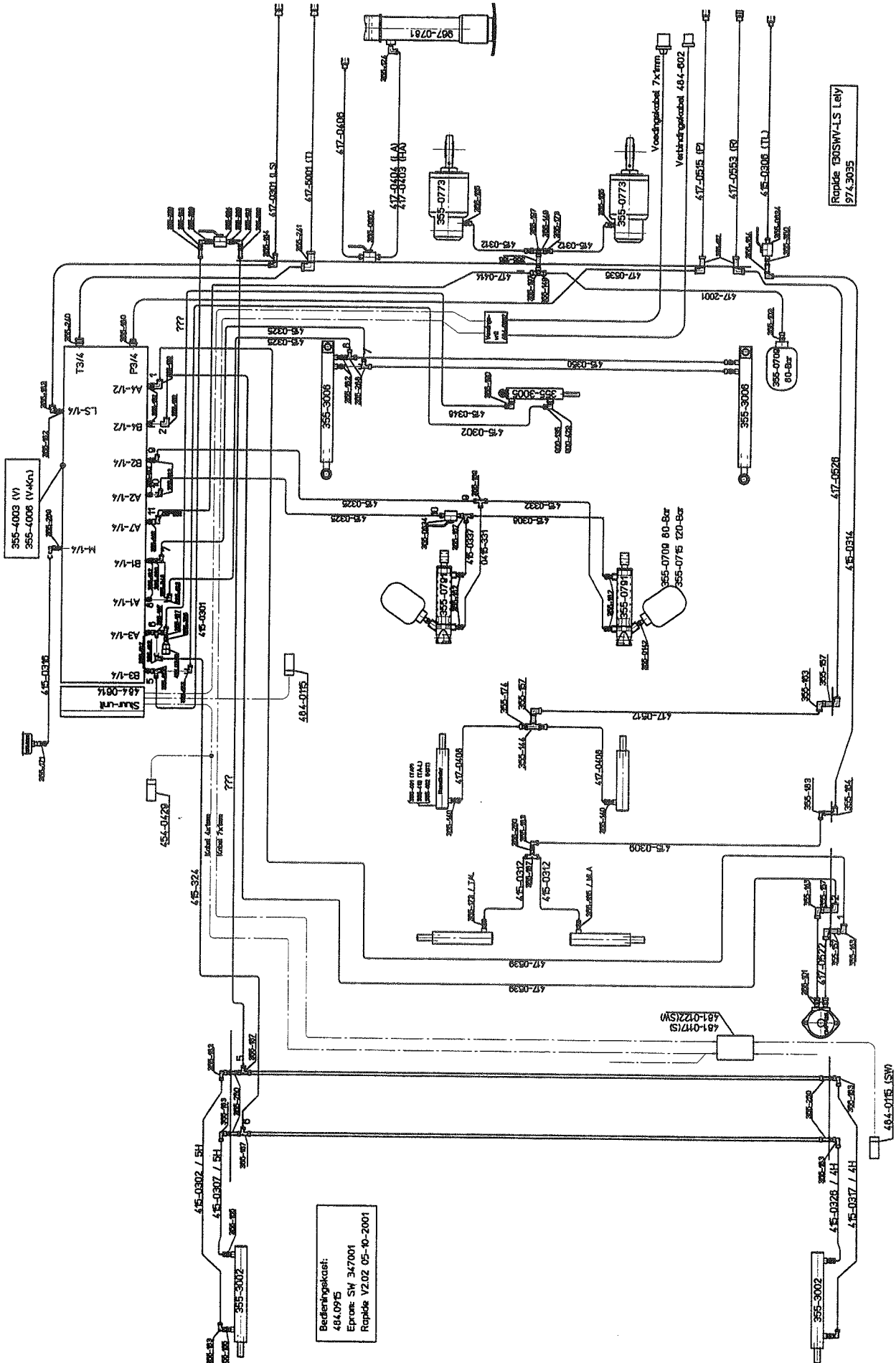


Bedieningskast:
484.0915
Eprom: SW 347001
Rapide V2.02 05-10-2001

Slangenpakket 988.3051 Ned
988.3053 Did
988.3034 100V
988.3012 4H
988.3013 5H

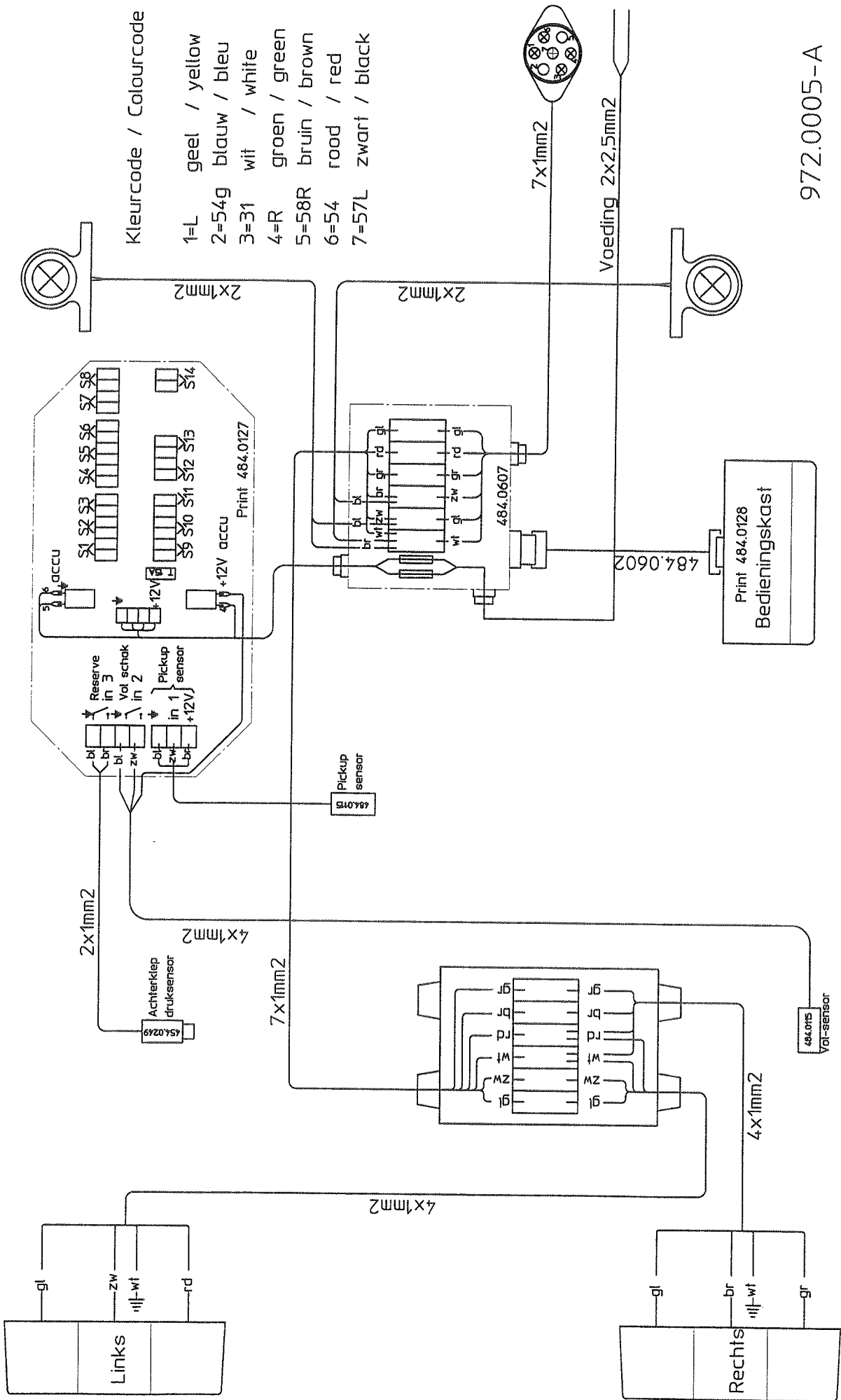
Rapide 100SW-LS Lely
974.3032

37. HYDRAULIC SYSTEM
RAPIDE 130-SWV/LS



Bedieningskabel:
484-0915
Epron SW 347001
Rapide V2.02 05-10-2001

39. ELECTRICAL CIRCUIT DIAGRAM RAPIDE SW AND SWV



972.0005-A

